

Distributed by:

JAMECO[®]
ELECTRONICS

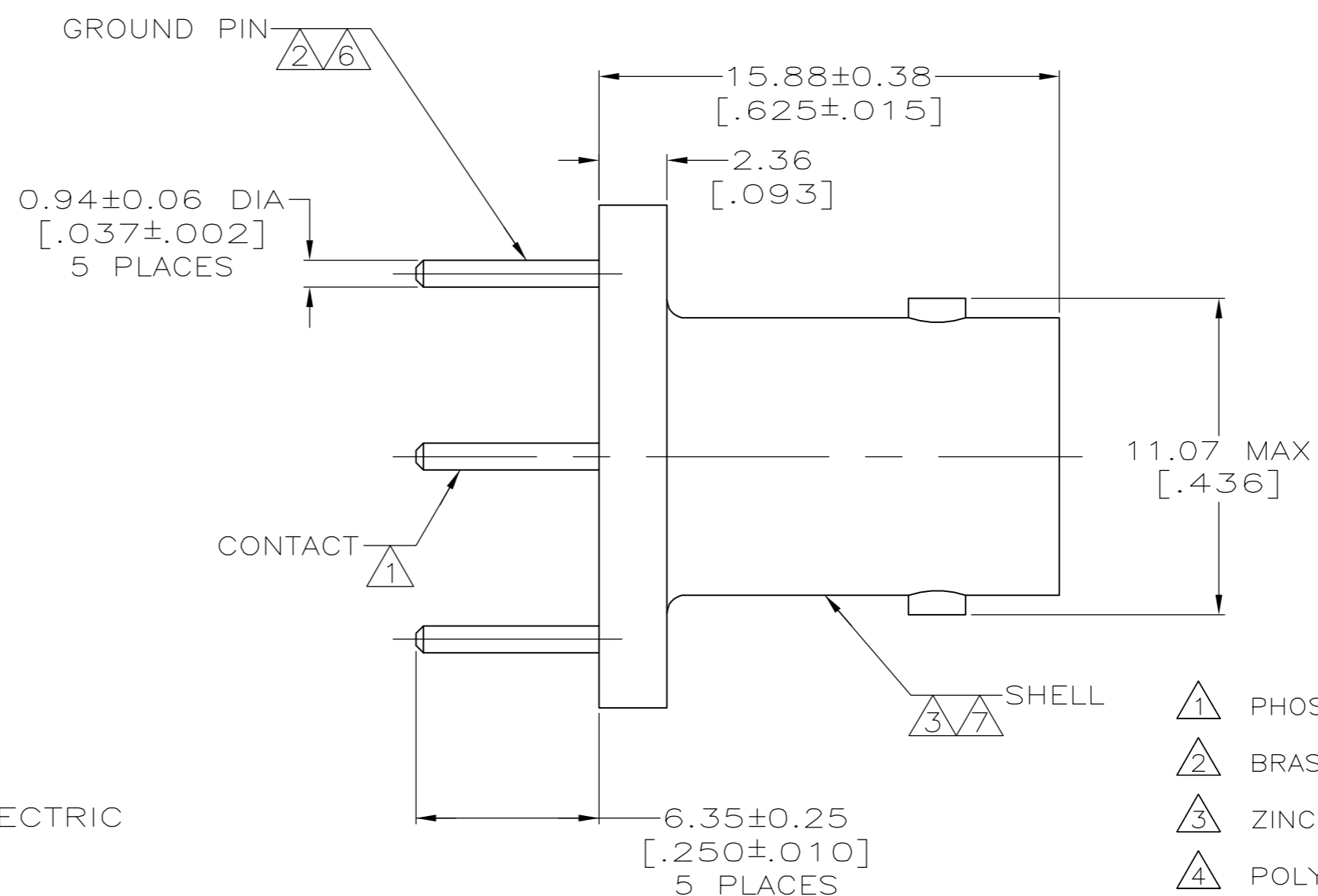
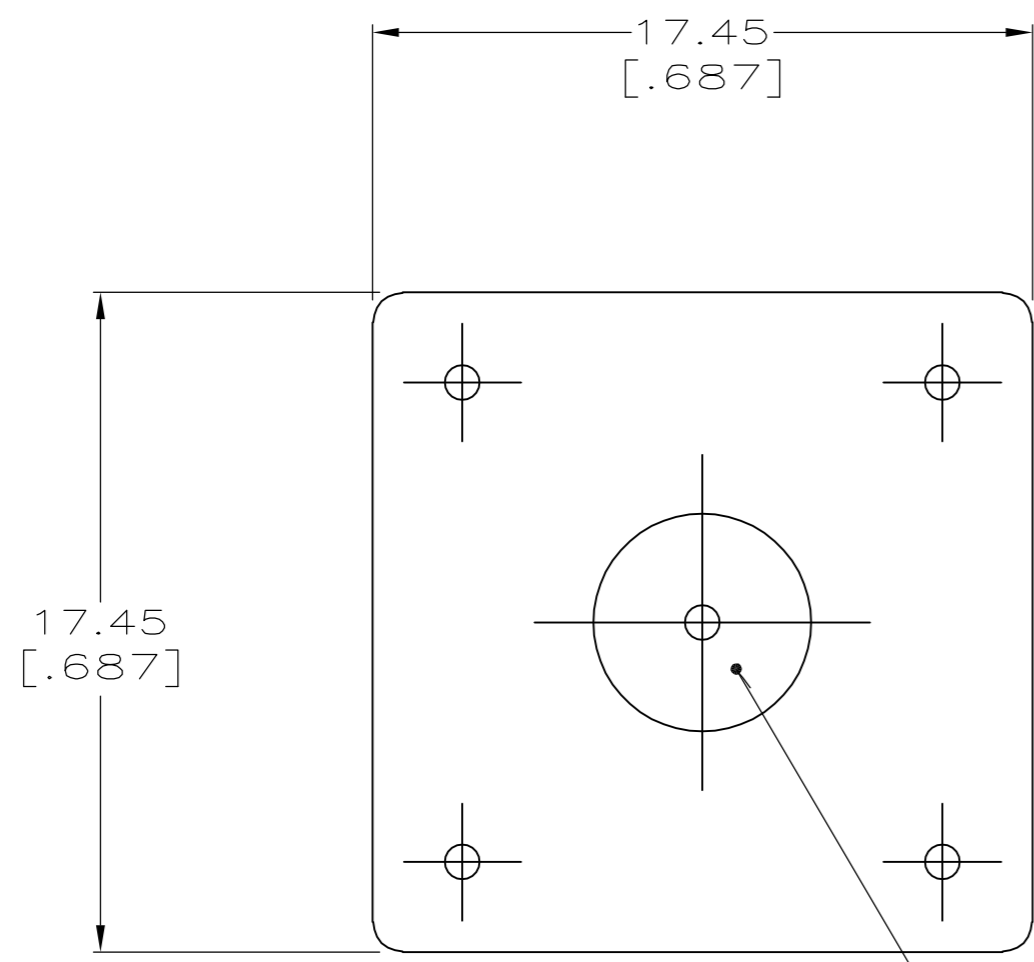
www.Jameco.com ♦ 1-800-831-4242

The content and copyrights of the attached
material are the property of its owner.

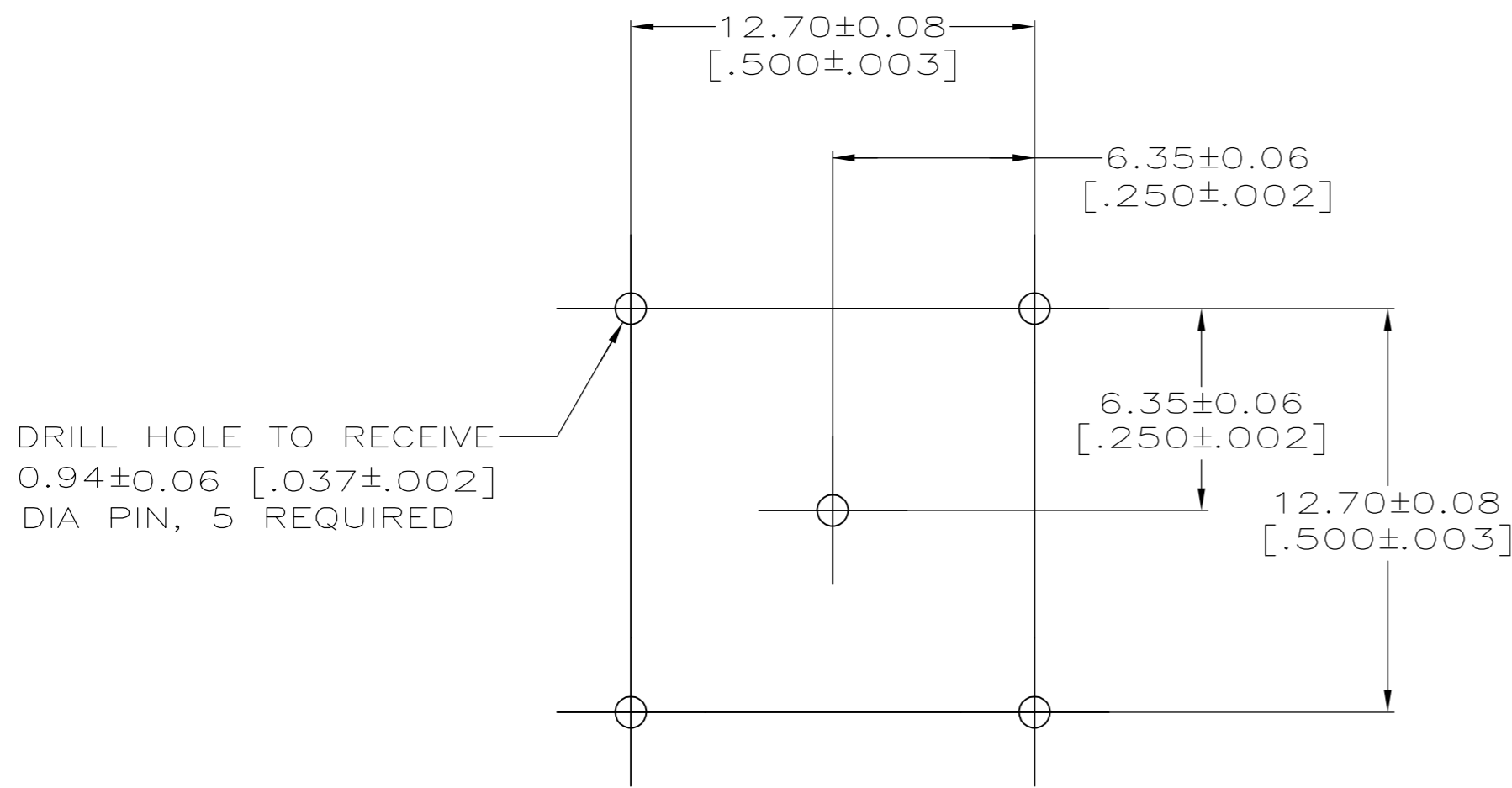
Jameco Part Number 840747

THIS DRAWING IS UNPUBLISHED. RELEASED FOR PUBLICATION
 © COPYRIGHT BY TYCO ELECTRONICS CORPORATION. ALL RIGHTS RESERVED.

LOC	DIST	REVISIONS			
P	LTR	DESCRIPTION	DATE	DWN	APVD
AJ	17	L	PER EC OS14-0184-04	10JAN05	BM JL



- ① PHOSPHOR BRONZE PER QQ-B-750.
- ② BRASS PER QQ-B-626.
- ③ ZINC PER QQ-Z-363.
- ④ POLYESTER, PBT, PER MIL-M-24519.
- ⑤ SILVER PLATE PER QQ-S-365
2.54 μm [0.000100] MINIMUM THICK.
- ⑥ TIN PLATE PER ASTM-B-545
2.54 μm [0.000100] MINIMUM THICK.
- ⑦ NICKEL PLATE PER QQ-N-290
3.81 μm [0.000150] MINIMUM THICK.
- ⑧ GOLD PLATE PER MIL-G-45204,
0.76 μm [0.000030] MINIMUM THICK.
- 9. SEE INSTRUCTION SHEET 408-9889.



SUGGESTED PCB CONFIGURATION

⑥	9-227699-0
⑥	227699-3
⑧	227699-2
⑤	227699-1
CONTACT FINISH	PART NUMBER

THIS DRAWING IS A CONTROLLED DOCUMENT.		DWN	J. LIPPERT	2-14-92	 Tyco Electronics Corporation Harrisburg, PA 17105-3608		
DIMENSIONS: INCHES		CHK	A. GABANY	2-14-92			
TOLERANCES UNLESS OTHERWISE SPECIFIED:		APVD	J. LIPPERT	02-14-92			
0 PLC ± - 1 PLC ± - 2 PLC ± 0.20 [.008] 3 PLC ± - 4 PLC ± - ANGLES ± -		PRODUCT SPEC	108-12078				
MATERIAL		APPLICATION SPEC	-		NAME	JACK, 50 OHM, VERTICAL, PCB, BNC	
FINISH		WEIGHT	-		SIZE	A2	
①②③④		⑤⑥⑦⑧⑨⑩		CAGE CODE	00779	DRAWING NO	C=227699
CUSTOMER DRAWING				SCALE	5:1	SHEET	1 OF 1
				REV	L		

227699