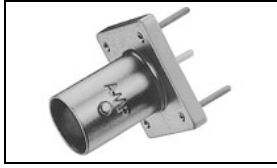


## 227699-2 Product Details



**227699-2**

### BNC RF Connectors

Not EU RoHS or ELV Compliant (Find RoHS Compliant Alternates)

#### Product Highlights:

- Connector - RF
- Jack
- Connector Style = Jack
- Applies To Printed Circuit Board
- PCB Mounting Orientation = Vertical

TE Internal Number: 227699-2

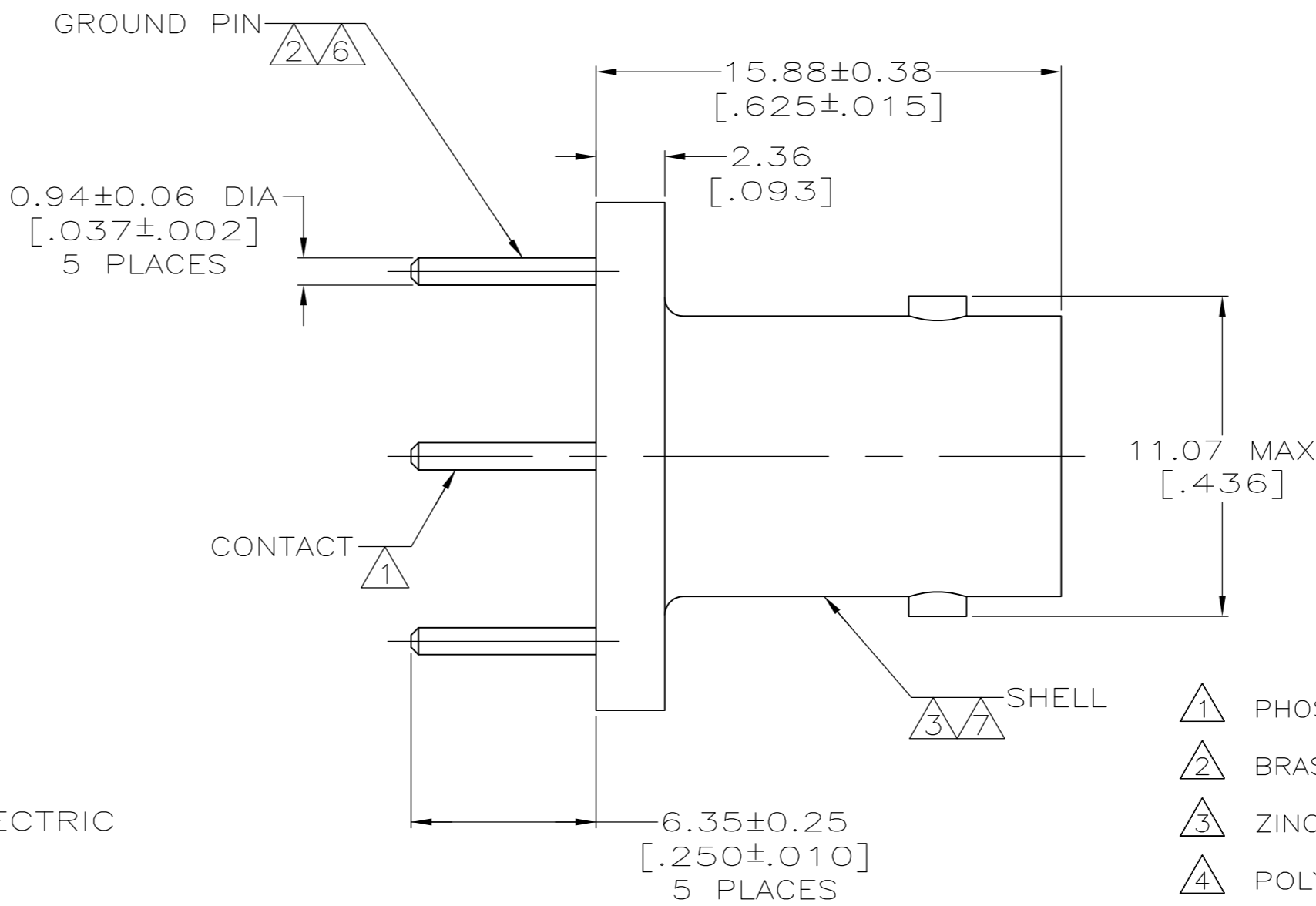
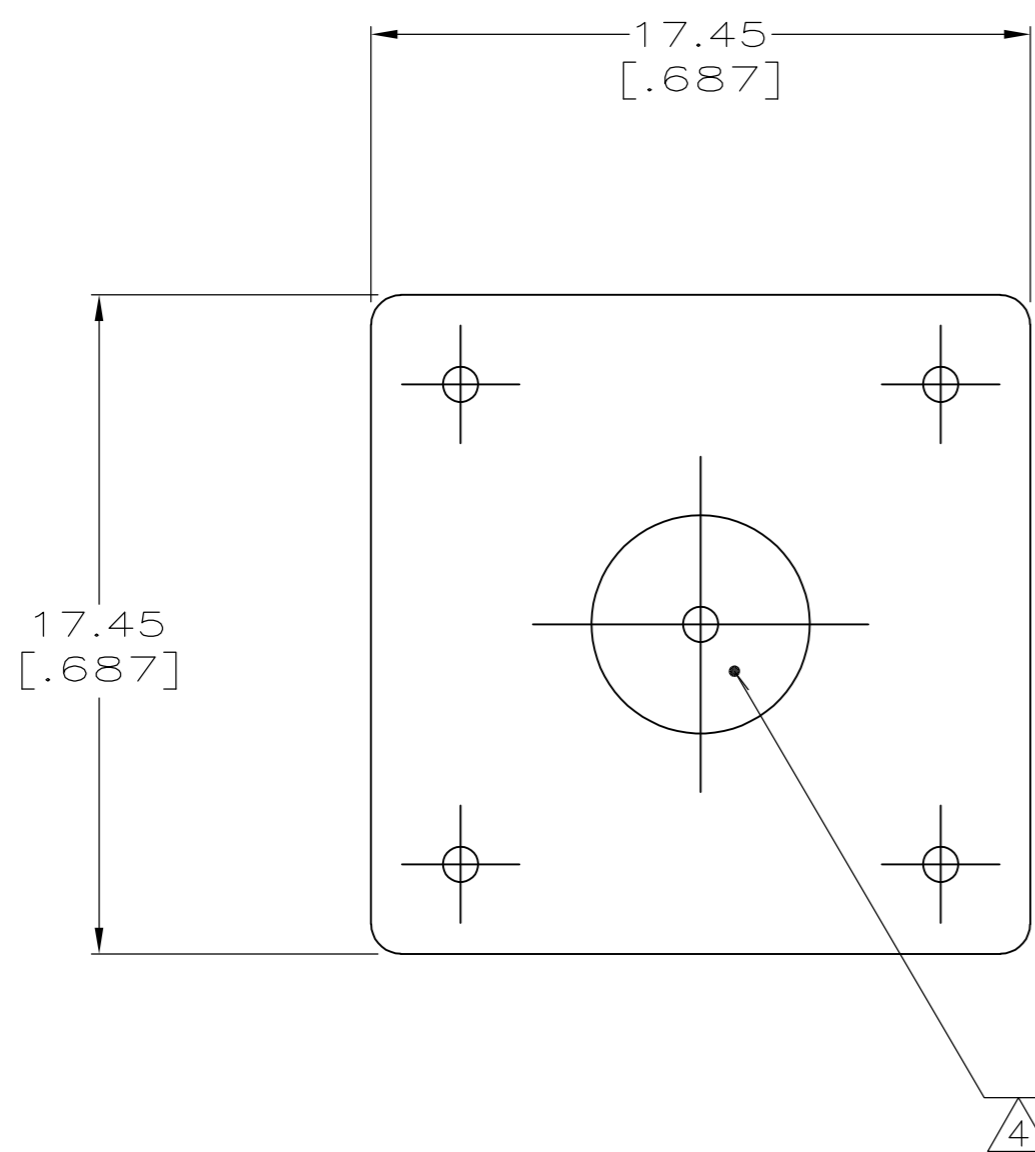
 Active

Documentation & Additional Information	
<p><b>Product Drawings:</b></p> <ul style="list-style-type: none"> <li>• <a href="#">JACK, 50 OHM, VERTICAL, PCB, BNC</a> (PDF, English)</li> </ul> <p><b>Catalog Pages/Data Sheets:</b></p> <ul style="list-style-type: none"> <li>• None Available</li> </ul> <p><b>Product Specifications:</b></p> <ul style="list-style-type: none"> <li>• <a href="#">BNC PCB Straight and Right Angle Connectors</a> (PDF, English)</li> </ul> <p><b>Application Specifications:</b></p> <ul style="list-style-type: none"> <li>• None Available</li> </ul> <p><b>Instruction Sheets:</b></p> <ul style="list-style-type: none"> <li>• <a href="#">Commercial BNC Jack Connectors f/PC Board and Panel ...</a> (PDF, English)</li> <li>• <a href="#">Commercial BNC Printed Circuit (PC) Board Vertical J...</a> (PDF, English)</li> </ul> <p><b>CAD Files:</b></p> <ul style="list-style-type: none"> <li>• None Available</li> </ul>	<p><b>Related Products:</b></p> <ul style="list-style-type: none"> <li>• <a href="#">Tooling</a></li> </ul>

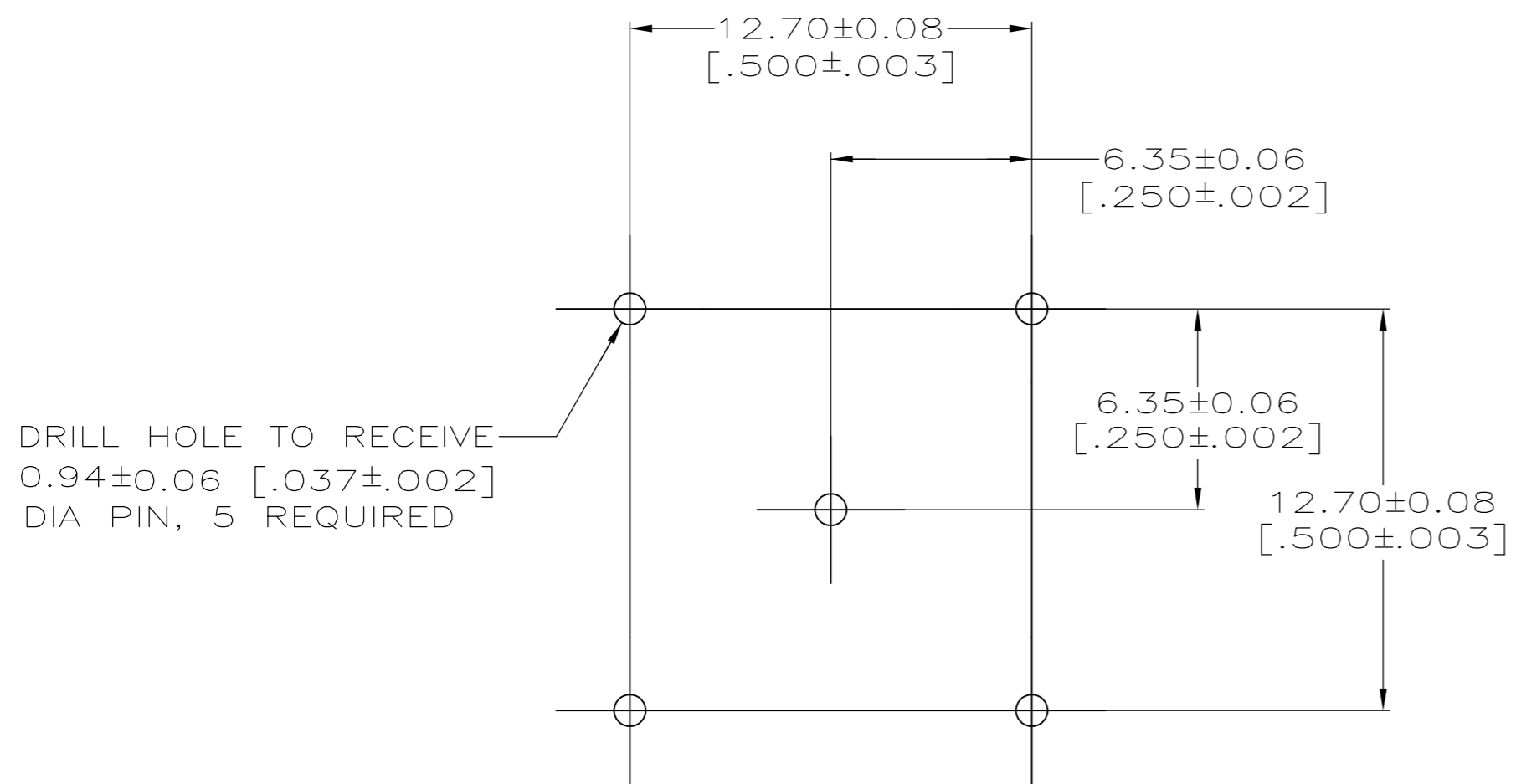
Product Features (Please use the Product Drawing for all design activity)	
<p><b>Product Type Features:</b></p> <ul style="list-style-type: none"> <li>• <a href="#">Product Type</a> = Connector - RF</li> <li>• Gender = Jack</li> <li>• <a href="#">PCB Mounting Orientation</a> = Vertical</li> <li>• <a href="#">Grade</a> = Commercial</li> <li>• <a href="#">PCB Mount Retention</a> = Without</li> <li>• <a href="#">Sealed</a> = No</li> <li>• <a href="#">Isolated</a> = No</li> <li>• <a href="#">Dielectric Material</a> = VALOX</li> <li>• <a href="#">Solder Terminal</a> = Without</li> </ul> <p><b>Mechanical Attachment:</b></p> <ul style="list-style-type: none"> <li>• <a href="#">Surface Mountable</a> = No</li> <li>• <a href="#">Hardware Included</a> = No</li> <li>• <a href="#">Panel Mount Retention</a> = Without</li> </ul> <p><b>Electrical Characteristics:</b></p> <ul style="list-style-type: none"> <li>• <a href="#">Connector Impedance (Ω)</a> = 50</li> </ul> <p><b>Dimensions:</b></p> <ul style="list-style-type: none"> <li>• <a href="#">PCB Height (mm [in])</a> = 15.88 [0.625]</li> </ul> <p><b>Body Features:</b></p> <ul style="list-style-type: none"> <li>• <a href="#">Body Shape</a> = Vertical-Flanged Base</li> <li>• <a href="#">Body Material</a> = Zinc</li> <li>• <a href="#">Body Plating</a> = Nickel</li> <li>• <a href="#">Body Insulation</a> = Without</li> <li>• <a href="#">Polarized</a> = No</li> </ul>	<p><b>Contact Features:</b></p> <ul style="list-style-type: none"> <li>• <a href="#">Center Contact Material</a> = Phosphor Bronze</li> <li>• <a href="#">Center Contact Plating</a> = Gold</li> </ul> <p><b>Housing Features:</b></p> <ul style="list-style-type: none"> <li>• <a href="#">Connector Style</a> = Jack</li> </ul> <p><b>Configuration Features:</b></p> <ul style="list-style-type: none"> <li>• <a href="#">Number of Ports</a> = 1</li> </ul> <p><b>Industry Standards:</b></p> <ul style="list-style-type: none"> <li>• <a href="#">Government/Industry Qualification</a> = No</li> <li>• <a href="#">RoHS/ELV Compliance</a> = Not ELV/RoHS compliant</li> <li>• <a href="#">Lead Free Solder Processes</a> = Wave solder capable to 260°C, Wave solder capable to 240°C, Wave solder capable to 265°C</li> </ul> <p><b>Conditions for Usage:</b></p> <ul style="list-style-type: none"> <li>• <a href="#">Applies To</a> = Printed Circuit Board</li> </ul> <p><b>Other:</b></p> <ul style="list-style-type: none"> <li>• <a href="#">Brand</a> = AMP</li> </ul>

THIS DRAWING IS UNPUBLISHED. RELEASED FOR PUBLICATION  
 © COPYRIGHT - By - ALL RIGHTS RESERVED.

LOC		DIST		REVISIONS			
P	LTR	DESCRIPTION	DATE	DWN	APVD		
	L2	REVISED PER ECO-11-005030	11MAR11	RK	HMR		



- ① PHOSPHOR BRONZE PER QQ-B-750.
- ② BRASS PER QQ-B-626.
- ③ ZINC PER QQ-Z-363.
- ④ POLYESTER, PBT, PER MIL-M-24519.
- ⑤ SILVER PLATE PER QQ-S-365  
2.54 μm [.000100] MINIMUM THICK.
- ⑥ TIN PLATE PER ASTM-B-545  
2.54 μm [.000100] MINIMUM THICK.
- ⑦ NICKEL PLATE PER QQ-N-290  
3.81 μm [.000150] MINIMUM THICK.
- ⑧ GOLD PLATE PER MIL-G-45204,  
0.76 μm [.000030] MINIMUM THICK.
- 9. SEE INSTRUCTION SHEET 408-9889.



SUGGESTED PCB CONFIGURATION

OBSOLETE	⑥	9-227699-0
	⑧	227699-3
	⑧	227699-2
	⑤	227699-1
	CONTACT FINISH	PART NUMBER

THIS DRAWING IS A CONTROLLED DOCUMENT.		DWN	J. LIPPERT	2-14-92	 TE Connectivity	
DIMENSIONS: INCHES		CHK	A. GABANY	2-14-92		
TOLERANCES UNLESS OTHERWISE SPECIFIED:		APVD	J. LIPPERT	02-14-92		
0 PLC ± - 1 PLC ± - 2 PLC ± 0.20 [.008] 3 PLC ± - 4 PLC ± - ANGLES ± -		PRODUCT SPEC	108-12078			
MATERIAL	FINISH	WEIGHT	-		NAME	JACK, 50 OHM, VERTICAL, PCB, BNC
①②③④	⑤⑥⑦⑧⑨⑩	CUSTOMER DRAWING	SCALE	5:1	SIZE	A2
			SHEET	1 of 1	CAGE CODE	00779
			REV	L2	DRAWING NO	C-227699
			RESTRICTED TO	-		

227699