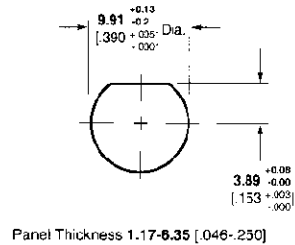
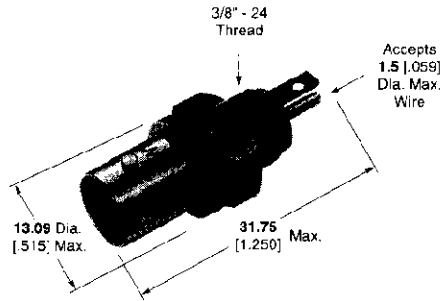


**BNC Connectors, 50 Ohm (Continued)**

**Isolated Bulkhead Solder Jacks, Front Mount**

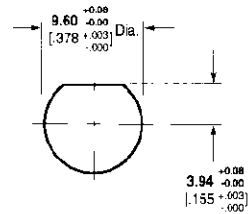
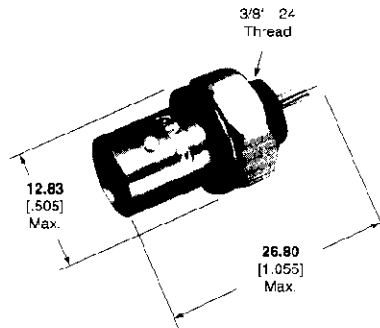
**Plating**  
**Body** Nickel  
**Dielectric** — White VALOX

Center Contact Plating	Flange & Thread Material	Part No.
Tin	VALOX	227726-1
Silver	VALOX	227726-2
Gold	VALOX	227726-3



**Recommended Panel Cutout**

**Plating**  
**Body** — Nickel  
**Center Contact** — Silver  
**Dielectric** — Black VALOX  
**Flange & Thread Material** — Black VALOX

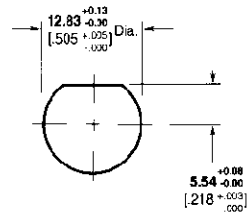
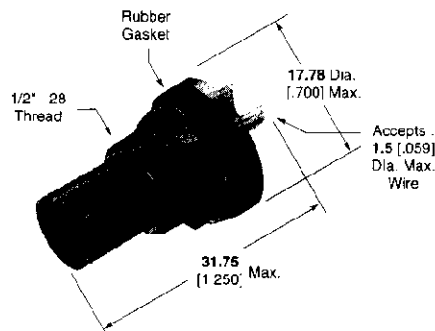


**Recommended Panel Cutout**

**Part No. 414194-1**

**Sealed Bulkhead Solder Jack, Rear Mount**

**Plating**  
**Body** — Nickel  
**Center Contact** Gold  
**Dielectric** — Polymethylpentene  
This connector is designed to prevent moisture from entering the interface from the rear of the connector.



**Recommended Panel Cutout**

**Part No. 227426-1**