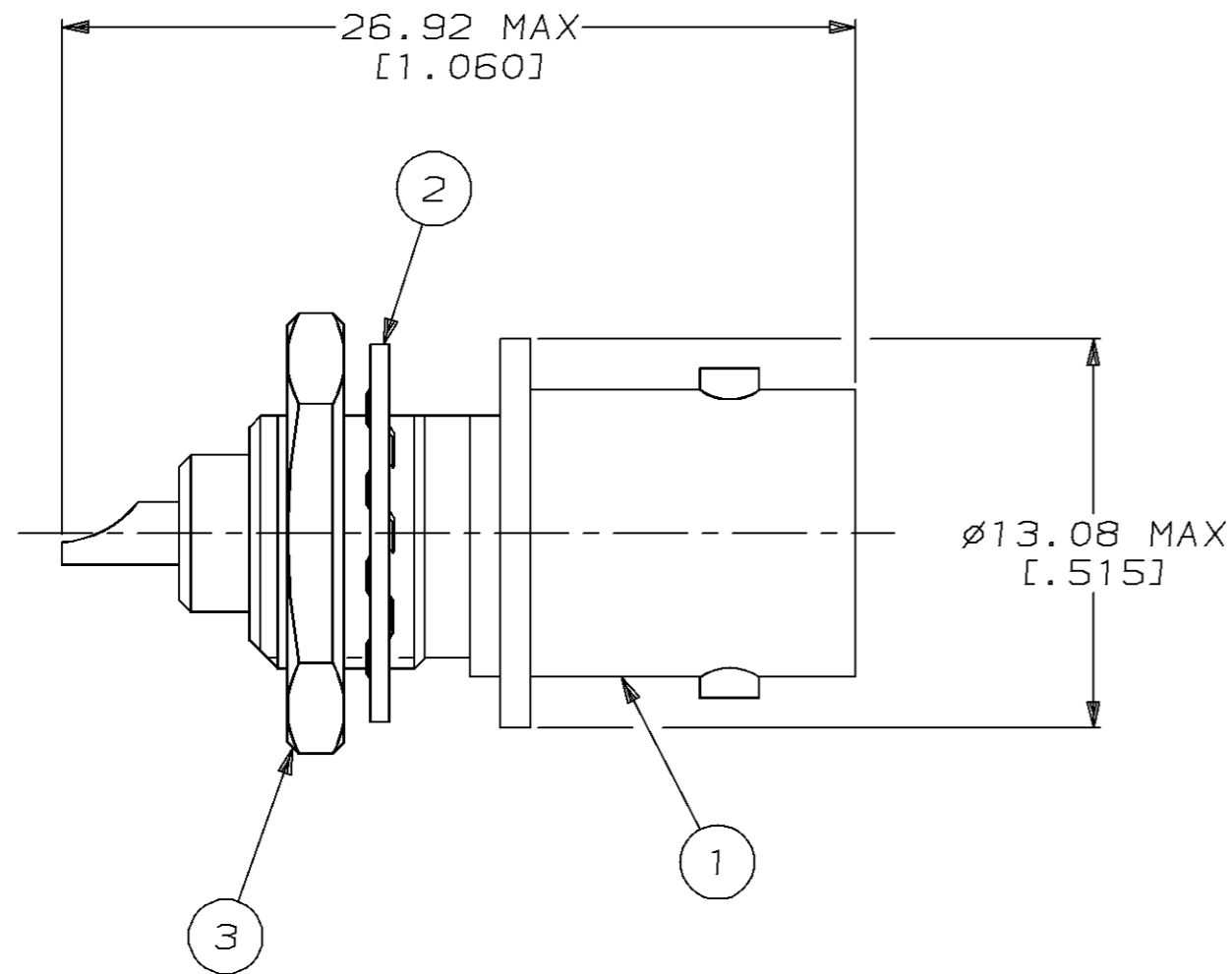
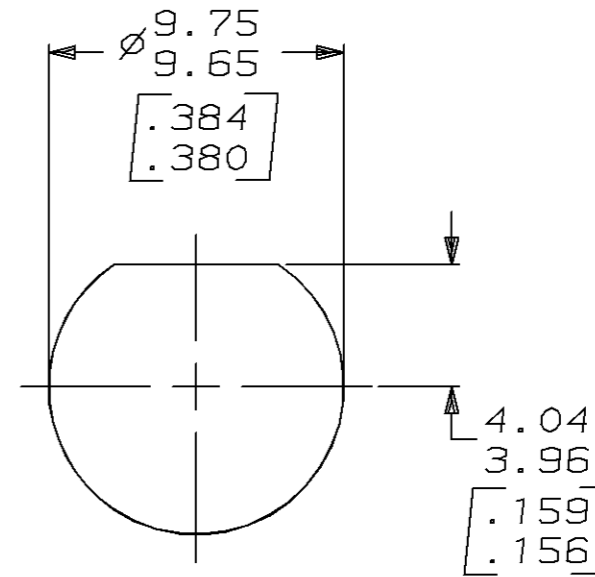


THIS DRAWING IS UNPUBLISHED. RELEASED FOR PUBLICATION, 19 .  
 © COPYRIGHT 19 BY AMP INCORPORATED. ALL INTERNATIONAL RIGHTS RESERVED.

LOC	DIST	P	F	ZONE	LTR	REVISIONS	DATE	APPD
AJ	16				C	REDWN PER 0220-0412-94	6-3-94	JL



1. .125 MAX PANEL THICKNESS.



RECOMMENDED PANEL CUTOUT

1-330249-1	1-329492-1	227756-3	227754-3
1-330249-1	1-329492-1	227756-2	227754-2
1-330249-1	1-329492-1	227756-1	227754-1
③ JAM NUT QTY=1	② LOCKWASHER QTY=1	① JACK ASSY QTY=1	PART NUMBER

DO NOT SCALE PRINT. UNLESS SPECIFIED DIMENSIONS IN mm [INCHES] TOLERANCES ON: 2 PLC DEC ± - 3 PLC DEC ± - ANGLES ± -		DR 6-3-94 J. LIPPERT	<b>AMP</b> AMP Incorporated Harrisburg, PA 17105-3608
MATERIAL -	CHK 6-3-94 M. TOMCHACK	NAME SOLDER JACK, 50Ω, SERIES BNC	
FINISH -	APPD 6-3-94 M. TOMCHACK	SIZE B	CAGE CODE 00779
	APPD 6-3-94 J. LIPPERT	SCALE 4:1	DRAWING NO 227754
	PRODUCT SPEC 108-12079		SHEET 1 OF 1
	APPLICATION SPEC -		
	WEIGHT -		

# Mouser Electronics

Authorized Distributor

Click to View Pricing, Inventory, Delivery & Lifecycle Information:

[TE Connectivity:](#)

[227754-2](#)