

4

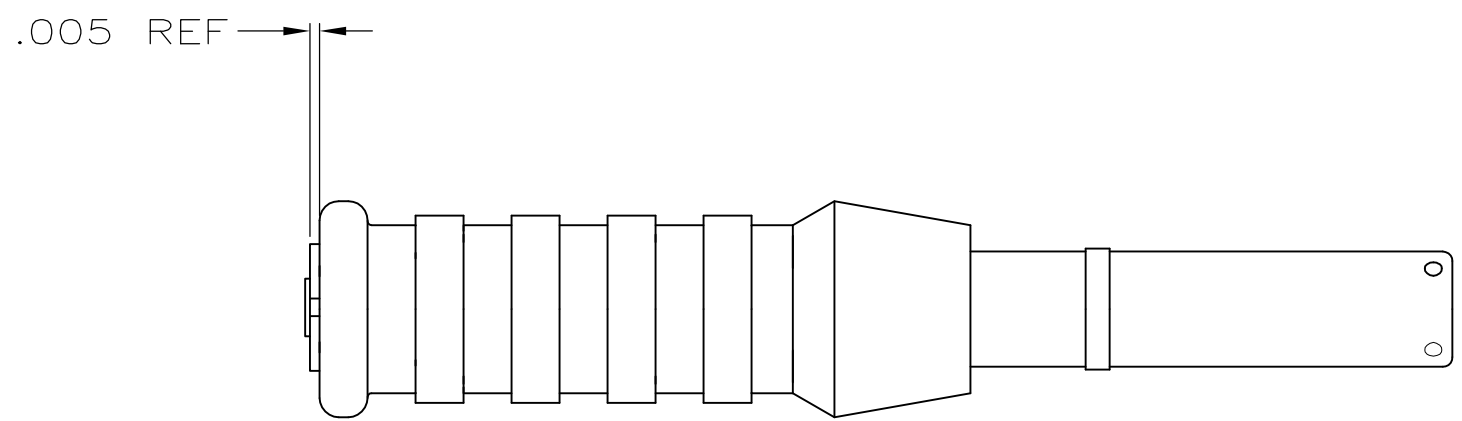
3

2


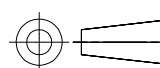
1

THIS DRAWING IS UNPUBLISHED. RELEASED FOR PUBLICATION - , - .
 © COPYRIGHT - By - ALL RIGHTS RESERVED.

LOC	DIST	REVISIONS					
CE	16	P	LTR	DESCRIPTION	DATE	DWN	APVD
			H1	REVISED PER ECO-11-005139	21MAR11	RK	HMR



OBSOLETE	228087-2
	228087-1
	PART NO.

THIS DRAWING IS A CONTROLLED DOCUMENT.		DWN	K.GLATFELTER	13NOV01	 TE Connectivity											
DIMENSIONS: mm [INCHES]		CHK	S.BUCHTER	28NOV01												
TOLERANCES UNLESS OTHERWISE SPECIFIED:		APVD	S.BUCHTER	28NOV01												
<table border="0"> <tr> <td>0 PLC</td> <td>± -</td> </tr> <tr> <td>1 PLC</td> <td>± -</td> </tr> <tr> <td>2 PLC</td> <td>± -</td> </tr> <tr> <td>3 PLC</td> <td>± -</td> </tr> <tr> <td>4 PLC</td> <td>± -</td> </tr> <tr> <td>ANGLES</td> <td>± -</td> </tr> </table>		0 PLC	± -	1 PLC		± -	2 PLC	± -	3 PLC	± -	4 PLC	± -	ANGLES	± -	NAME	
0 PLC	± -															
1 PLC	± -															
2 PLC	± -															
3 PLC	± -															
4 PLC	± -															
ANGLES	± -															
		PRODUCT SPEC		SIZE	CAGE CODE	DRAWING NO	RESTRICTED TO									
MATERIAL		FINISH		WEIGHT	A3 00779 C-228087		-									
THERMOPLASTIC & BRASS		-		CUSTOMER DRAWING		SCALE	SHEET	REV								
						5:1	1 OF 1	H1								

METRIC