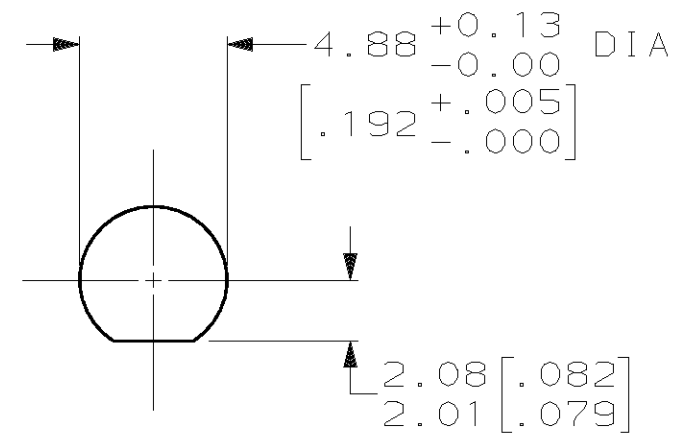
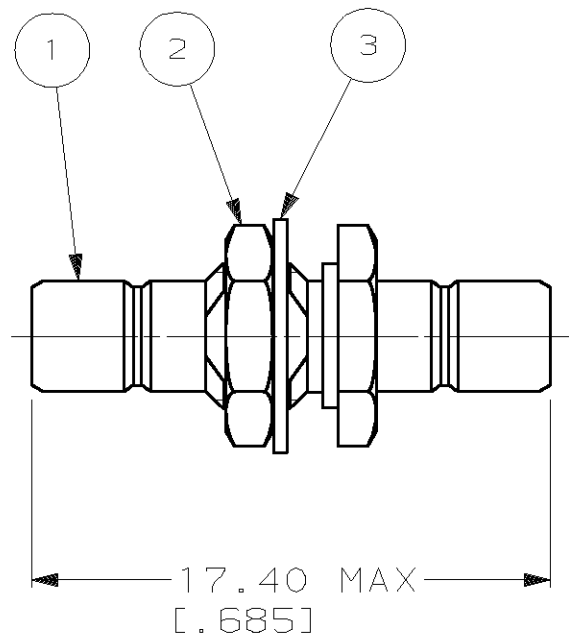


THIS DRAWING IS UNPUBLISHED. RELEASED FOR PUBLICATION, 19 .
 © COPYRIGHT 19 BY AMP INCORPORATED. ALL INTERNATIONAL RIGHTS RESERVED.

LOC	DIST	P	F	REVISIONS			DATE	APPD
AJ	16			ZONE	LTR	DESCRIPTION		
					H	SUPERSEDED -2 PER 0E10-0132-99	09FEB00	M0



SUGGESTED PANEL CUT-OUT

SUPSD BY 228553-1	415001-2	414969-2	228569-2	228553-2
	415001-2	414969-2	228569-1	228553-1
③ LOCKWASHER QTY=1	② JAM NUT QTY=1	① BULKHEAD ASSEMBLY QTY=1	PART NO	

DO NOT SCALE PRINT. UNLESS SPECIFIED DIMENSIONS IN mm [INCHES] TOLERANCES ON: 2 PLC DEC ± - 3 PLC DEC ± .008 ANGLES ± -	DR <i>K. Heilig</i> 6/11/92	AMP Incorporated Harrisburg, PA 17105-3608
	CHK G. MICHAEL 7/8/92	
	APPD G. MICHAEL 7/8/92	
	APPD K. HEILIG 7/13/92	
MATERIAL -	PRODUCT SPEC -	NAME ADAPTER, BULKHEAD, SMB
FINISH -	APPLICATION SPEC -	
WEIGHT -	SCALE 4:1	SIZE B
		CAGE CODE 00779
		DRAWING NO 228553
		SHEET 1 OF 1