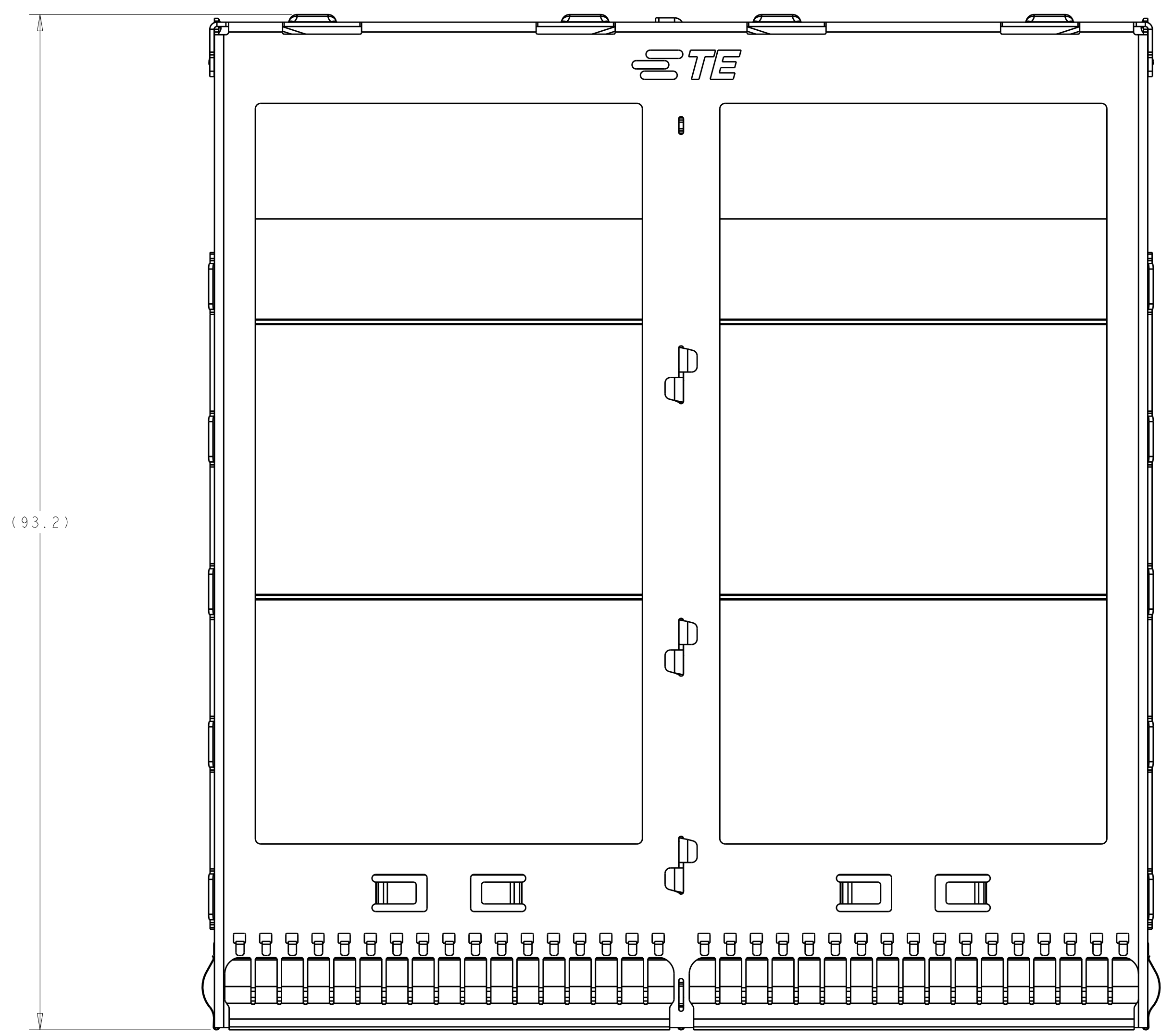
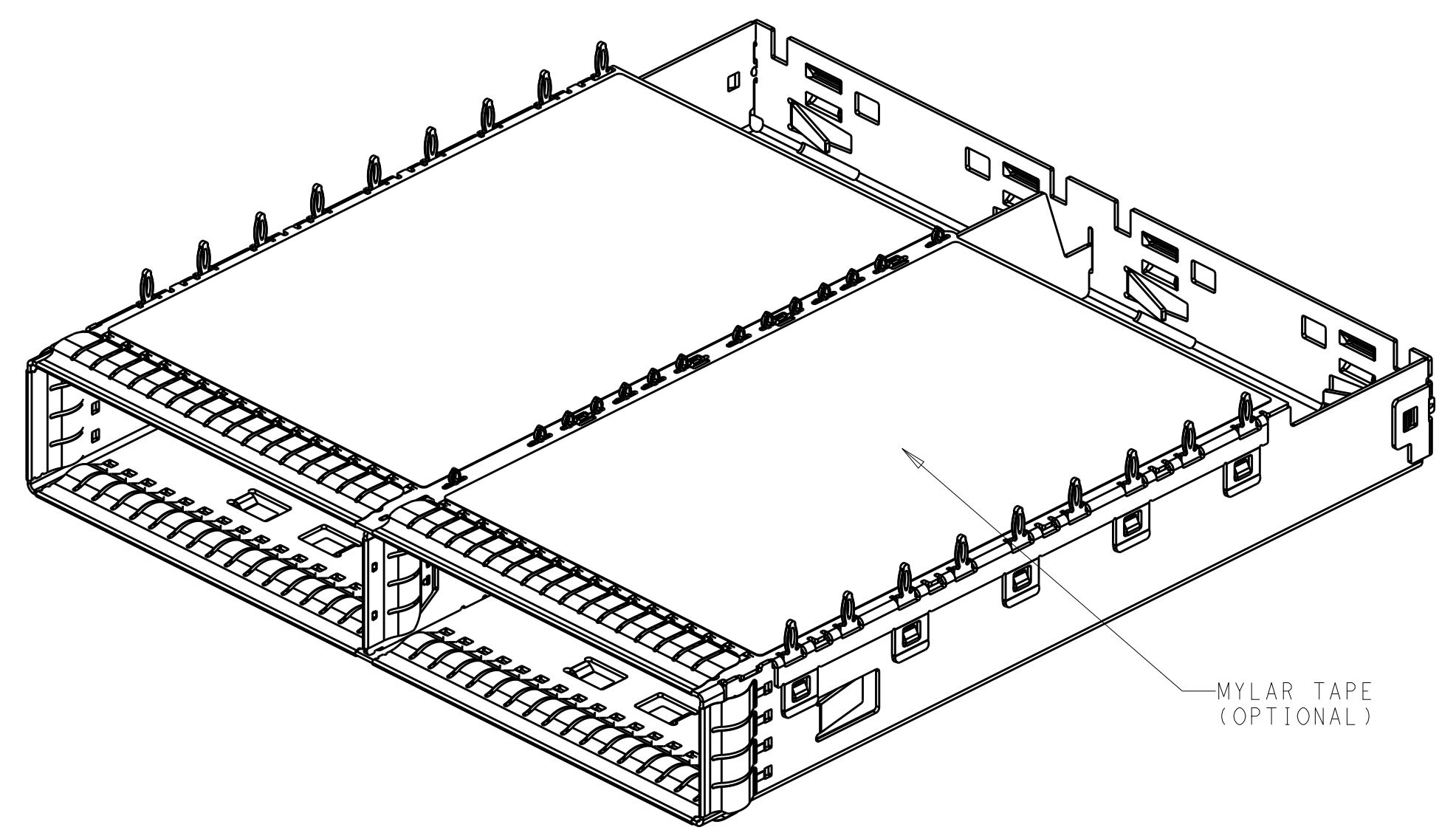


REVISIONS				
P.	LTH	DESCRIPTION	DATE	APPROV
1		PRELIMINARY	21MAR2016	AD SH
2		ADD PRAT NUMBER	23MAR2016	AD SH
4		ADD NEW DASH NUMBER	18SEP2016	AD SH
5		ADD REAR RIVETING	08FEB2017	AD SH

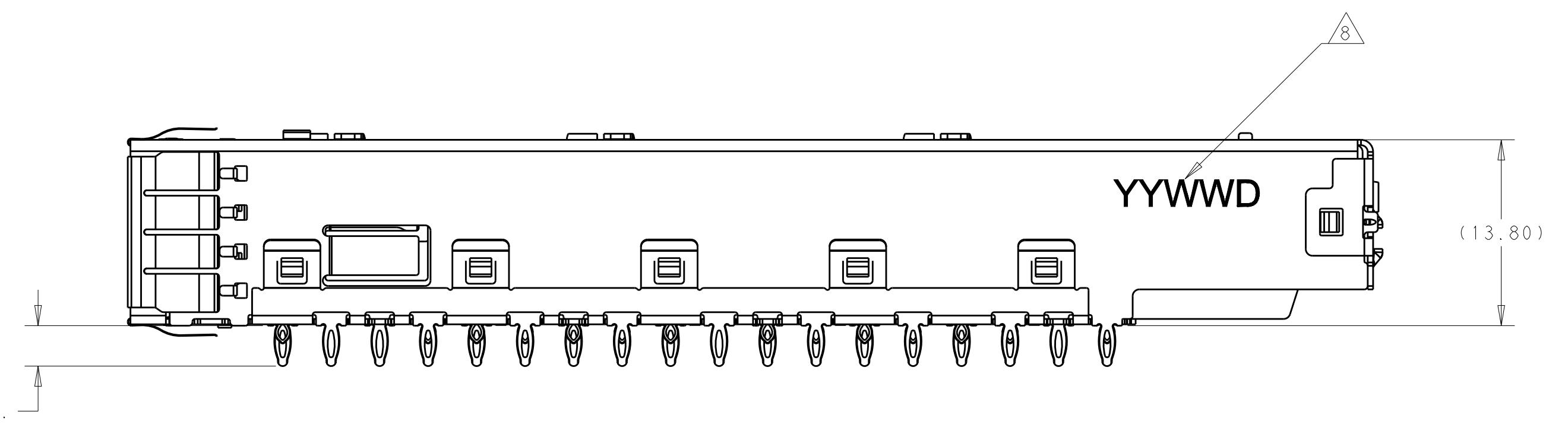
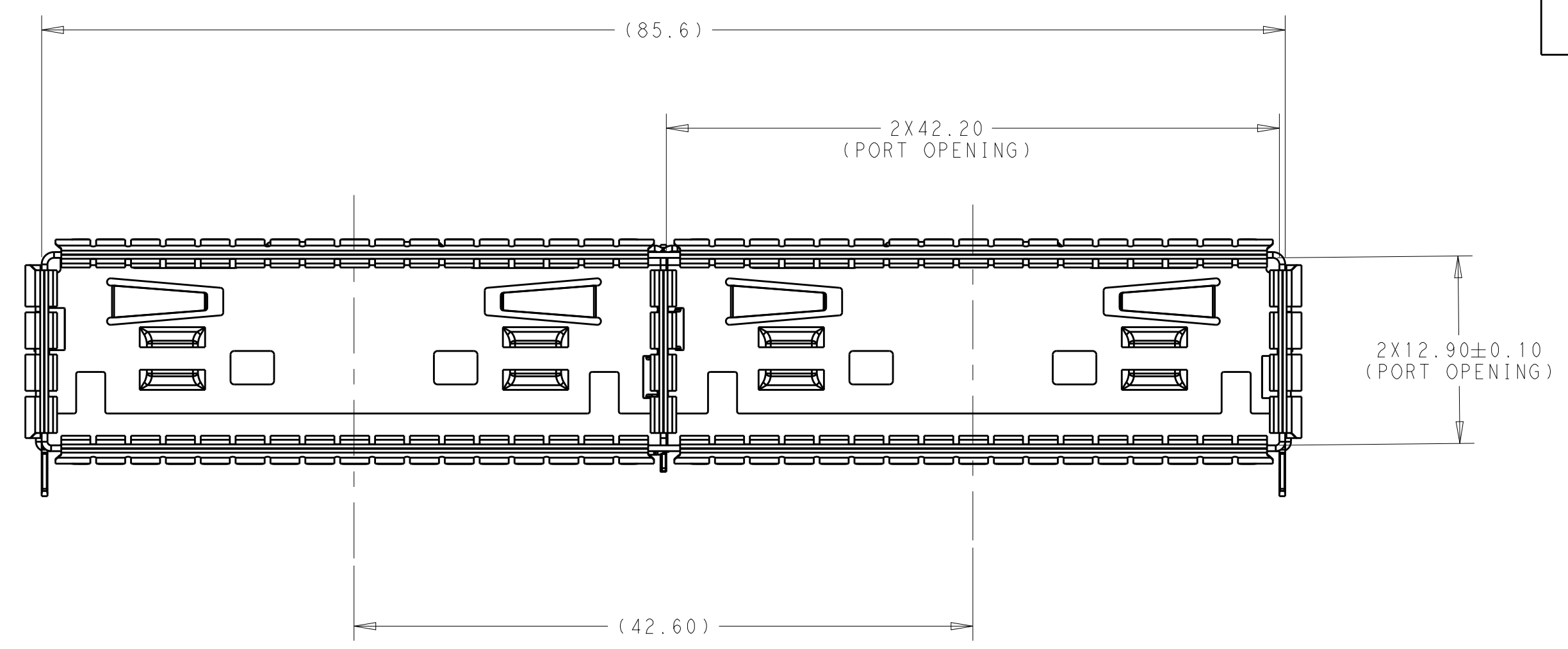


- 1 MATERIAL : CAGE :0.4MM THICK NICKEL SILVER ALLOY;
EMI SPRING: COPPER ALLOY;
- 2 FINISH: EMI SPRING 1.27um NICKEL PALTING OVER ALL;
3.MATES WITH CFP MSA COMPLIANT TRANSCEIVERS.
- 4 DATUM AND BASIC DIMENSION ESTABLISHED BY CUSTOMER.
5.MINIMUM PC BOARD THICKNESS: SIGLE SIDE APPLICATIONS:2.0mm.
BELLY TO BELLY APPLICAITON:3.0MM
- 6.PADS AND VIAS CHASSIS GROUND;
- 7:REFERENCE APPLICATION SPEC 114-32146. FOR
RECOMMENDED DRILL HOLE DIAMETER AND PLATING THICKNESS.
- 8:DATE CODE MARKED AT APPROXIMATE AREA



THIS PRINT IS
PRELIMINARY
UNQUALIFIED PRODUCT
CONTACT PRODUCT ENGINEERING
BEFORE USING THIS PRINT

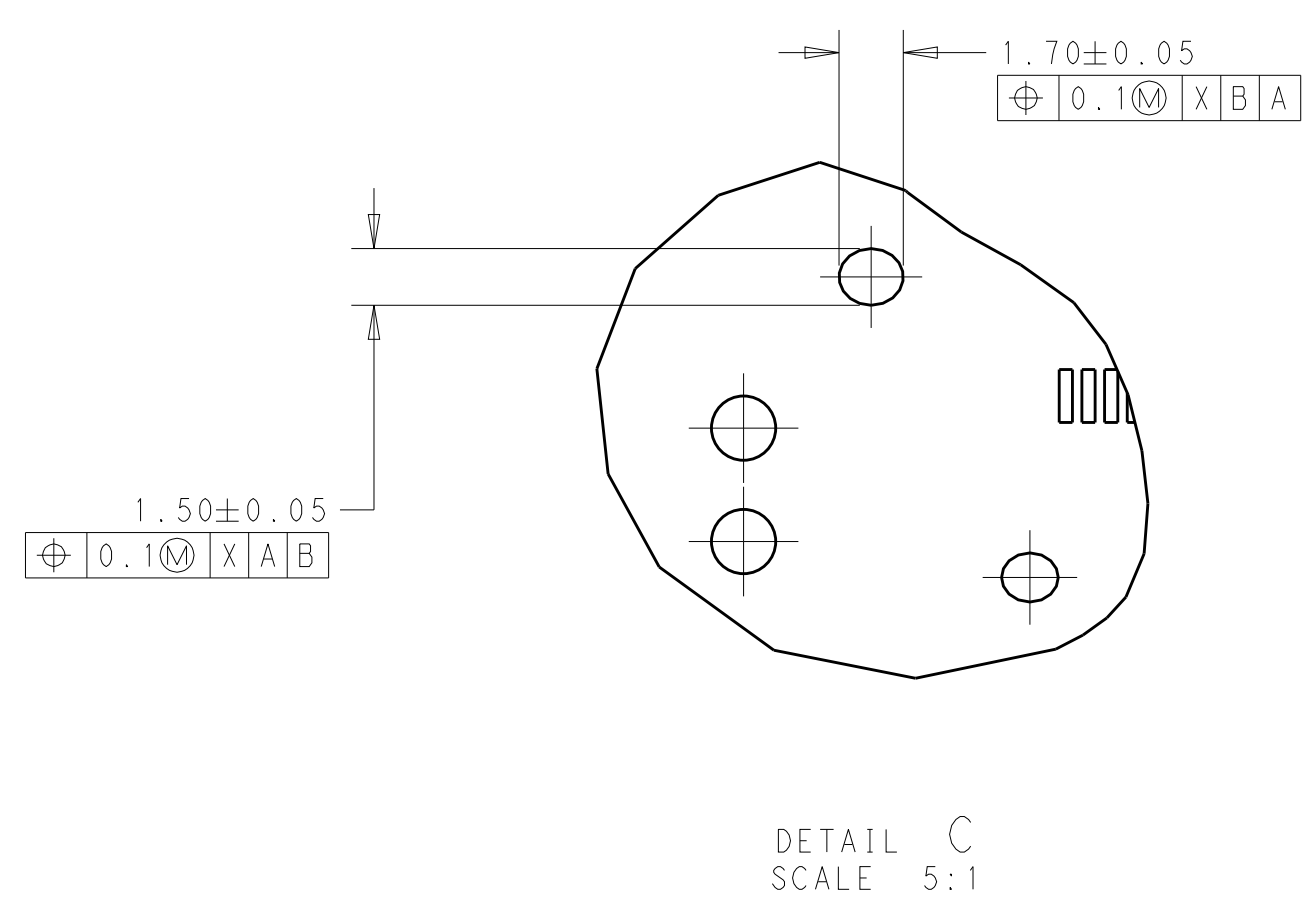
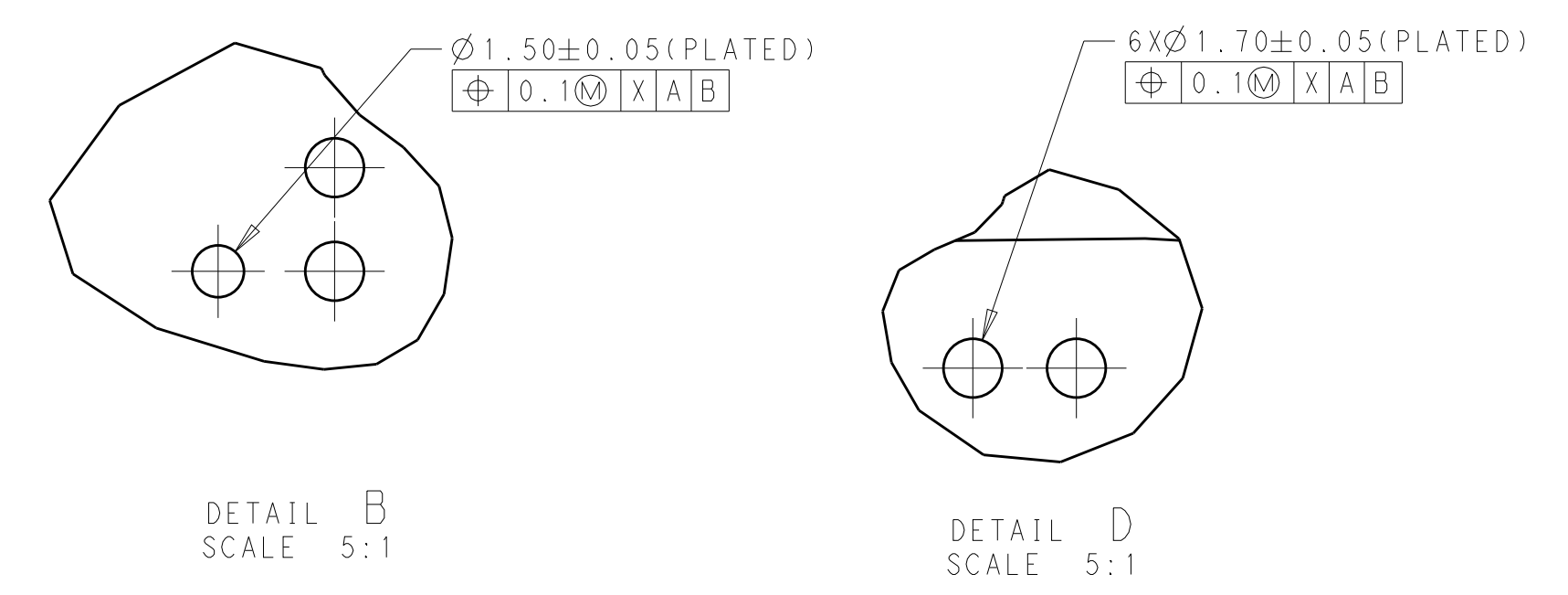
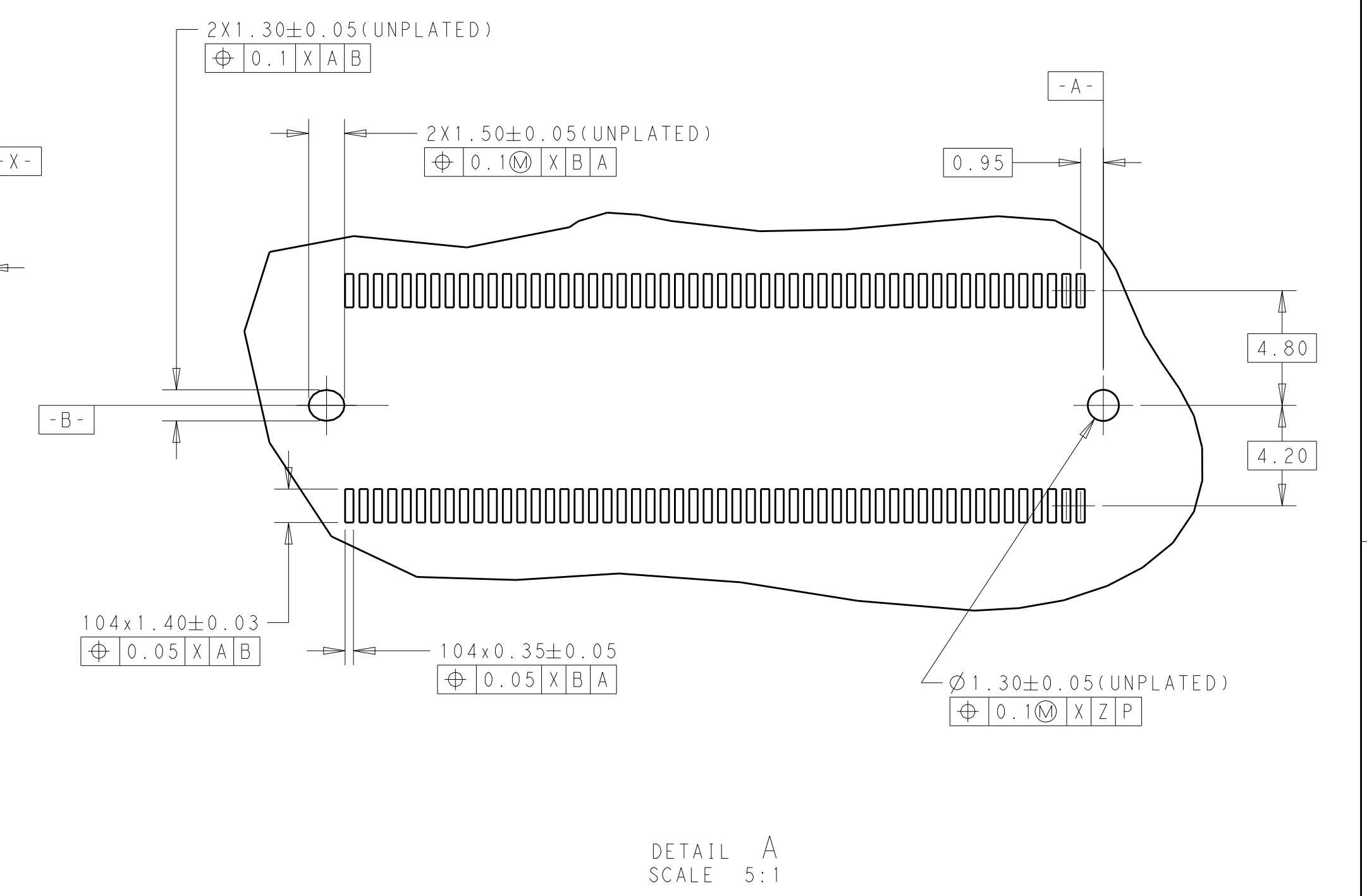
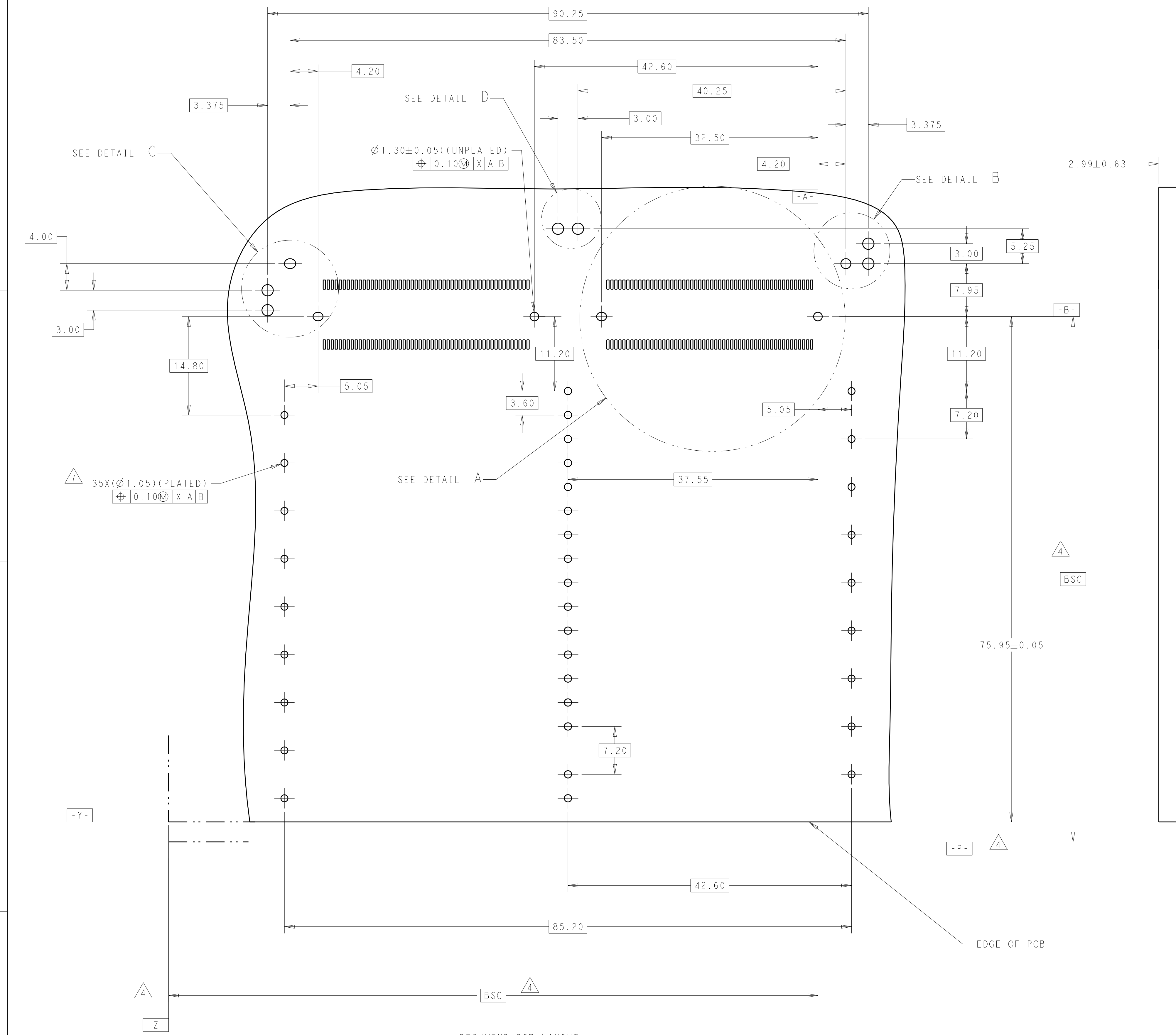
SCALE 2:1



WITH	2287076-4
WITHOUT	2287076-2
MYLAR TAPE	PART NUMBER

THIS DRAWING IS A CONTROLLED DOCUMENT.		OWN: ANDY XIE 21MAR2016	STE TE Connectivity
DIMENSIONS: mm		CM: SEAN HAN 21MAR2016	
TOLERANCES UNLESS OTHERWISE SPECIFIED:		NAME: CAGE ASSEMBLY	PRELIMINARY
0 PLC ±0.25		PRODUCT SPEC: CFP2 1X2	
1 PLC ±0.15		APPLICATION SPEC: 114-32146	RESTRICTED TO
2 PLC ±0.10		WEIGHT: -	
3 PLC ±0.10		SIZE: A1	SCALE 1:1 SHEET 1 OF 4 REV 5
4 PLC ±0.10		SCALE: C=2287076	
ANGLES: ±0.5		CUSTOMER DRAWING	
MATERIAL: -			
FINISH: -			

LOC		DIST		REVISONS			
GP	00	P	LTH	DESCRIPTION	DATE	OWN	APVD
		-		SEE SHEET 1			

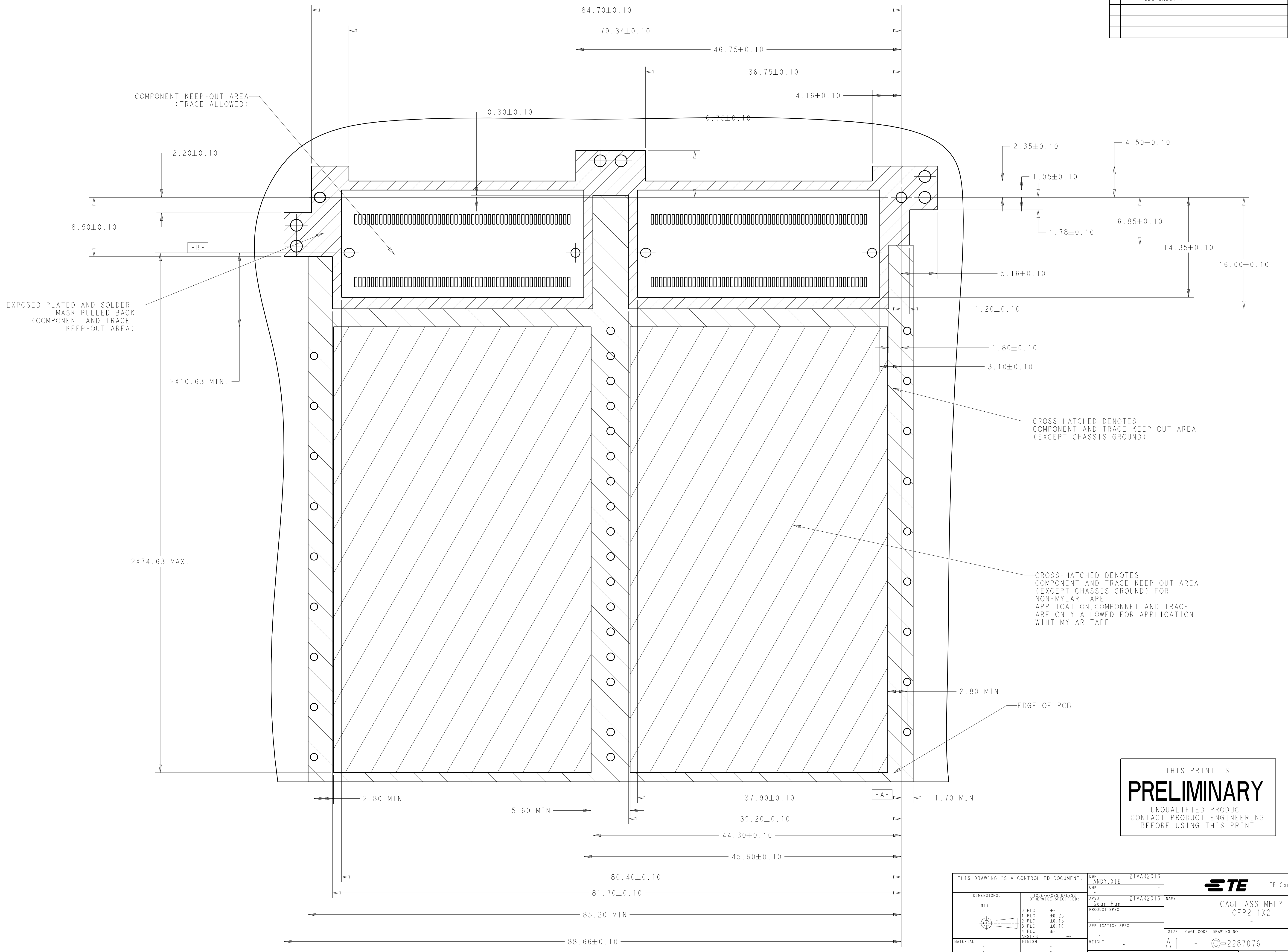


RECOMMEND PCB LAYOUT

THIS PRINT IS
PRELIMINARY
 UNQUALIFIED PRODUCT
 CONTACT PRODUCT ENGINEERING
 BEFORE USING THIS PRINT

THIS DRAWING IS A CONTROLLED DOCUMENT.		OWN	ZIMAR2016	STE TE Connectivity	
		CHK	ANDY.XIE		
DIMENSIONS:		APVD	ZIMAR2016	NAME	
mm		Scan Han		CAGE ASSEMBLY	
0 PLC ±		PRODUCT SPEC		CFP2 1X2	
1 PLC ±0.25		APPLICATION SPEC		SIZE	
2 PLC ±0.15				CAGE CODE	
3 PLC ±0.10				DRAWING NO	
4 PLC ±				RESTRICTED TO	
ANGLES ±				A1	
FINISH				C=2287076	
MATERIAL				SCALE	
				1:1	
				SHEET	
				2	
				OF	
				4	
				REV	
				5	

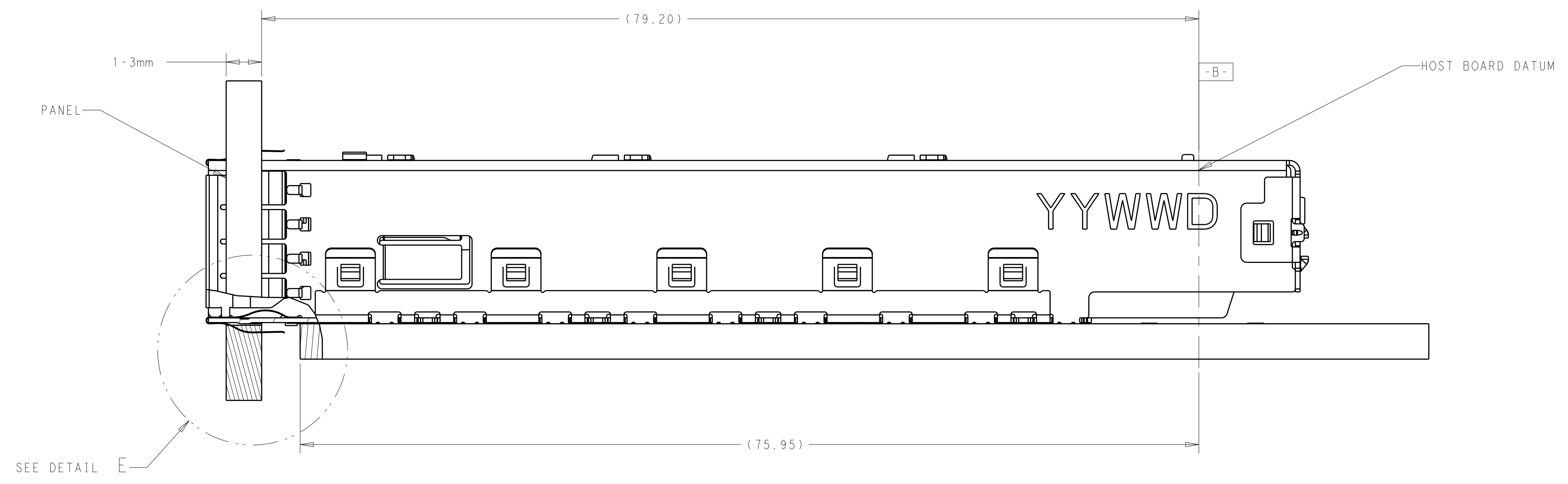
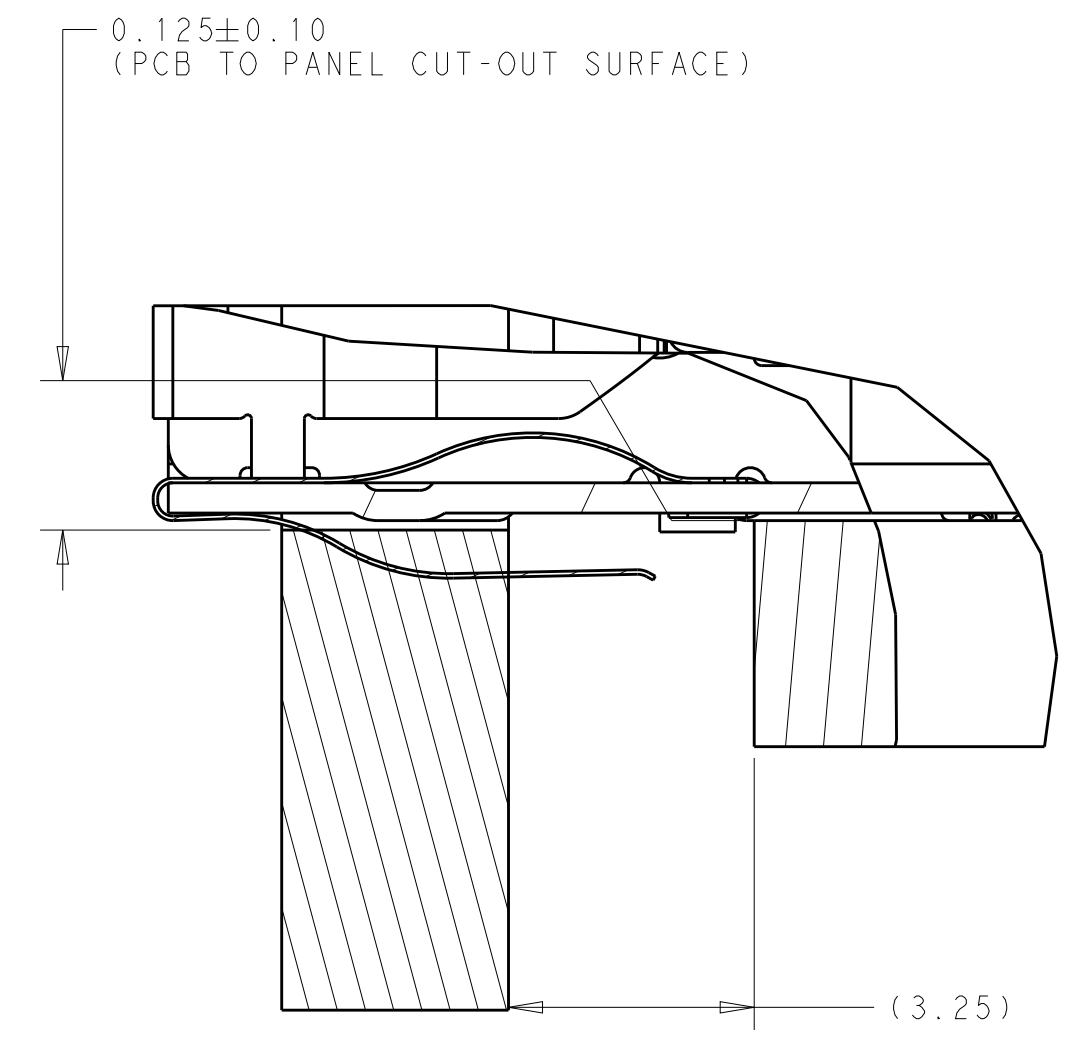
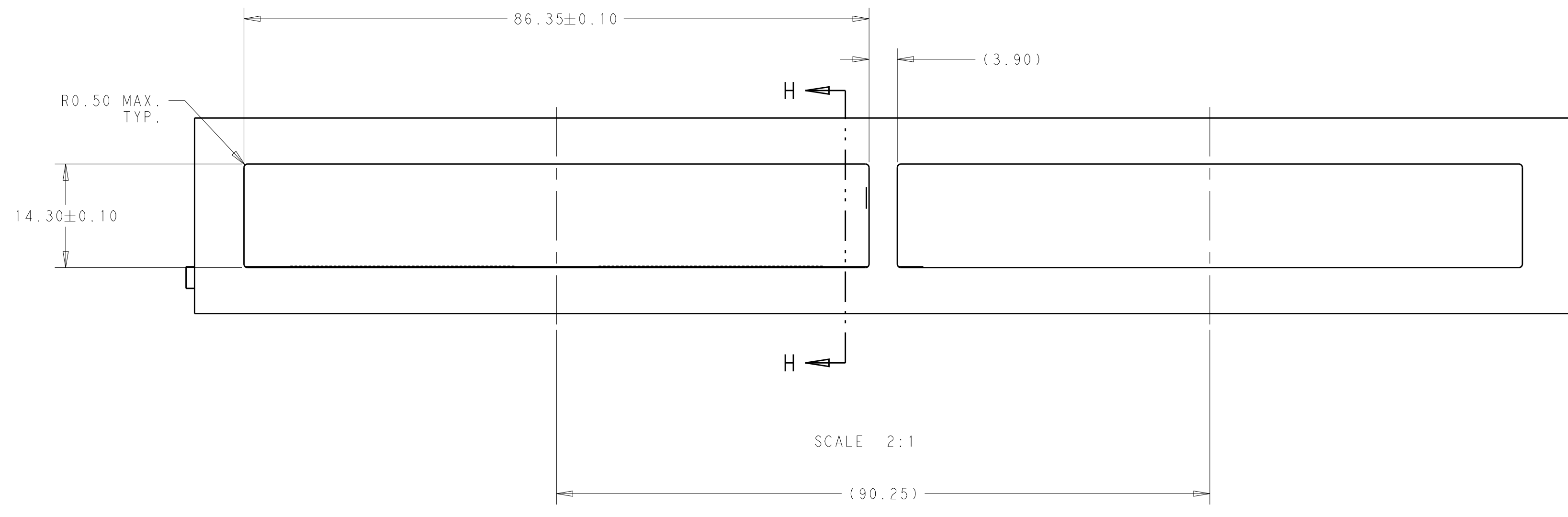
LOC		DIST		REVISIONS			
GP	00	P	LYR	DESCRIPTION	DATE	DMN	APVD
-	-	-	-	SEE SHEET 1	-	-	-



THIS PRINT IS
PRELIMINARY
 UNQUALIFIED PRODUCT
 CONTACT PRODUCT ENGINEERING
 BEFORE USING THIS PRINT

THIS DRAWING IS A CONTROLLED DOCUMENT.		DMN	ANDY.XIE	Z1MAR2016	TE Connectivity	
DIMENSIONS:		CHK	-	-	NAME	
mm		APVD	Sean Han	Z1MAR2016	CAGE ASSEMBLY	
0 PLC ±0.25 1 PLC ±0.15 2 PLC ±0.10 3 PLC ±0.10 4 PLC ±0.10 ANGLES ±°		PRODUCT SPEC	-			RESTRICTED TO
MATERIAL		APPLICATION SPEC	-			SIZE
FINISH		WEIGHT	-			CAGE CODE
-		Customer Drawing	A1			DRAWING NO
-		SCALE	1:1			2287076
-		SHEET	3			REV
-		OF	4			5

LOC		DIST		REVISIONS			
GP	00	P	LTN	DESCRIPTION	DATE	DMN	APVD
-	-	-	-	SEE SHEET 1	-	-	-



THIS PRINT IS
PRELIMINARY
 UNQUALIFIED PRODUCT
 CONTACT PRODUCT ENGINEERING
 BEFORE USING THIS PRINT

THIS DRAWING IS A CONTROLLED DOCUMENT.		DMN ANDY.XIE	Z1MAR2016	STE TE Connectivity	
DIMENSIONS:		CHK -	-		
mm	TOLERANCES UNLESS OTHERWISE SPECIFIED:	APVD Sean Han	Z1MAR2016	NAME CAGE ASSEMBLY CFP2 1X2	
0 PLC ±	1 PLC ±0.25	PRODUCT SPEC	-	SIZE A1	
2 PLC ±0.15	3 PLC ±0.10	APPLICATION SPEC	-	CAGE CODE C=2287076	RESTRICTED TO
4 PLC ±	ANGLES ±	WEIGHT	-	SCALE 1:1	SHEET 4 OF 4
MATERIAL	FINISH	Customer Drawing	-	REV 5	