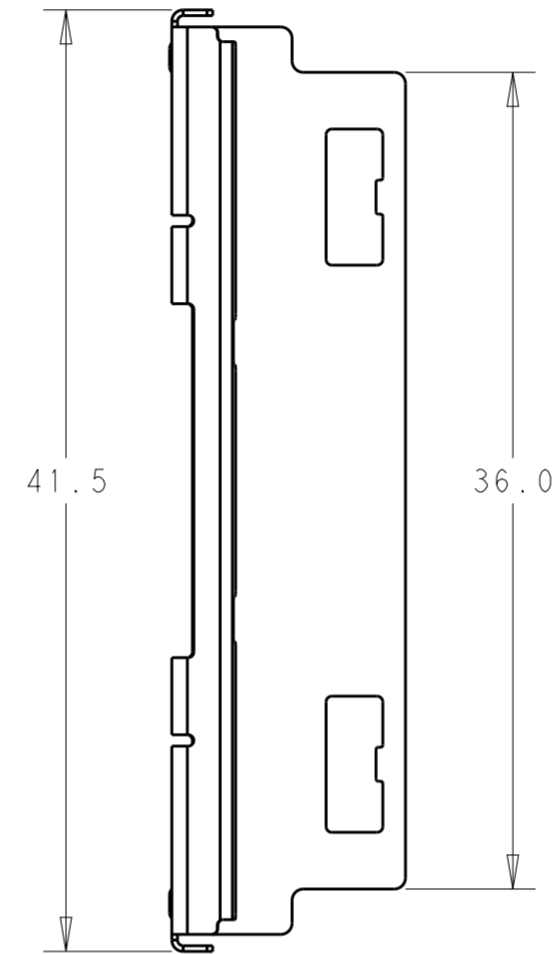
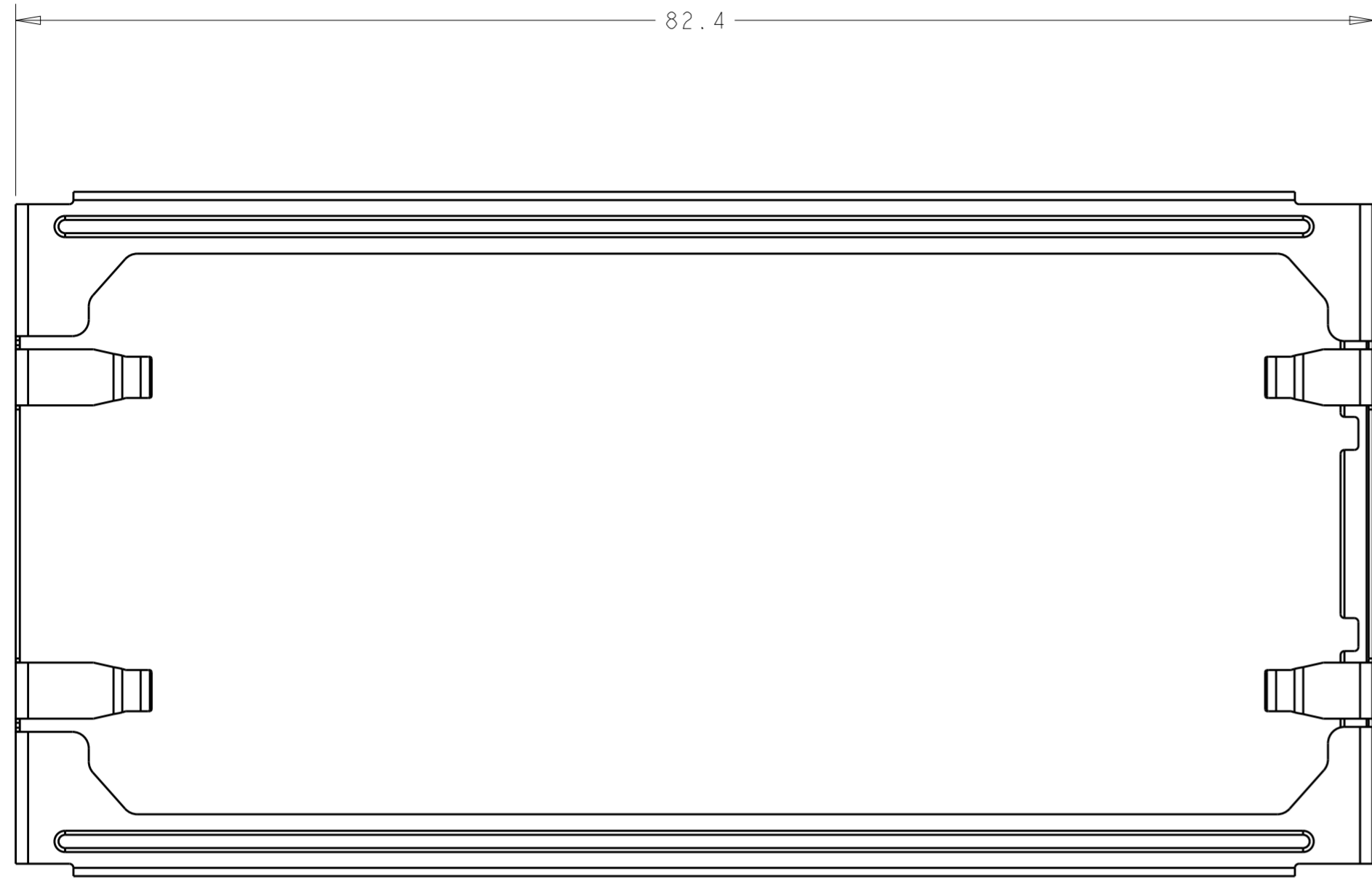
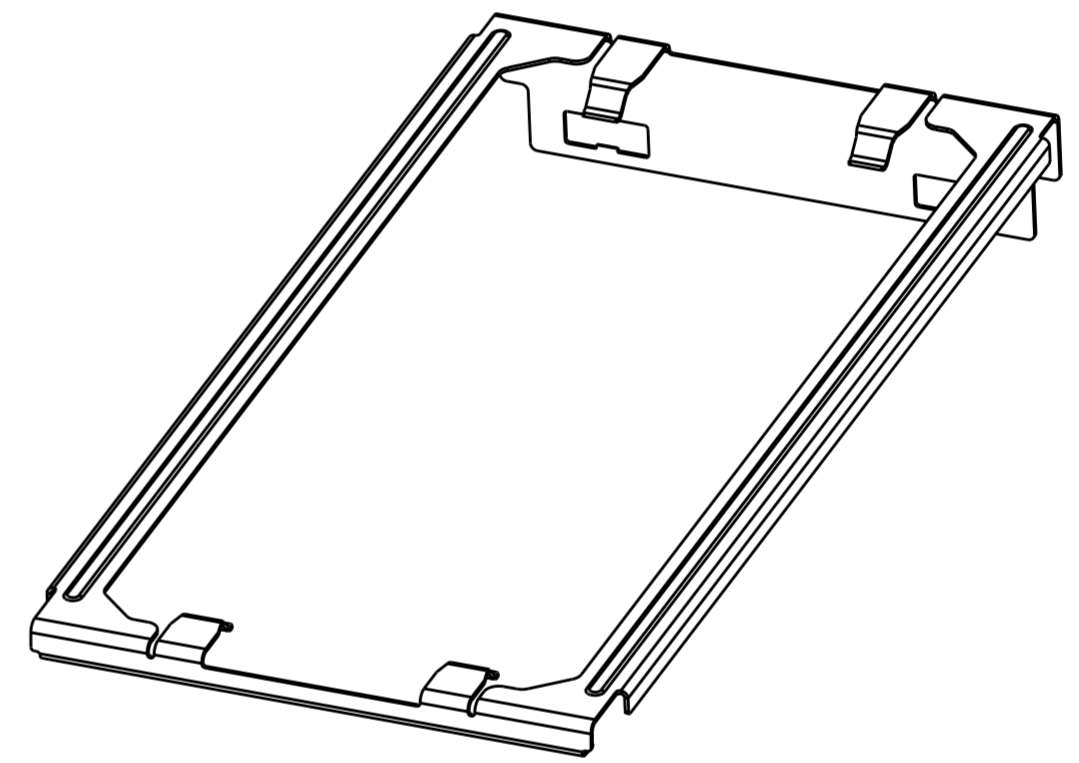


THIS DRAWING IS UNPUBLISHED. RELEASED FOR PUBLICATION 20  
 © COPYRIGHT 20 BY - ALL RIGHTS RESERVED.

| REVISIONS |     |                 |           |       |
|-----------|-----|-----------------|-----------|-------|
| P         | LTR | DESCRIPTION     | DATE      | APVD  |
| 1         |     | INITIAL RELEASE | 11OCT2016 | AD SH |
|           |     |                 |           |       |
|           |     |                 |           |       |



1 MATERIAL: STAINLESS STEEL  
 2 PLATING: PASSIVATE



SCALE 2:1



THIS PRINT IS  
**PRELIMINARY**  
 UNQUALIFIED PRODUCT  
 CONTACT PRODUCT ENGINEERING  
 BEFORE USING THIS PRINT

2288220-2  
 PART NUMBER

|  |             |                         |                       |                 |
|--|-------------|-------------------------|-----------------------|-----------------|
| THIS DRAWING IS A CONTROLLED DOCUMENT. |             | DWN ANDY XIF 11OCT2016  |                       |                 |
| DIMENSIONS: mm                         |             | CHK SEAN HAN 11OCT2016  | TE Connectivity       |                 |
| TOLERANCES UNLESS OTHERWISE SPECIFIED: |             | APVD SEAN HAN 11OCT2016 | NAME HEAT SINK CLIP   |                 |
| 0 PLC ±                                | 1 PLC ±0.30 | PRODUCT SPEC            | CFP2                  |                 |
| 2 PLC ±0.25                            | 3 PLC ±0.15 | APPLICATION SPEC        | -                     |                 |
| 4 PLC ±                                | ANGLES ±    | WEIGHT                  | SIZE A2               | CAGE CODE -     |
| MATERIAL -                             | FINISH -    | CUSTOMER DRAWING        | DRAWING NO. C-2288220 | RESTRICTED TO - |
| SCALE 1:1                              |             |                         | SHEET 1               | OF 1            |
| REV 1                                  |             |                         |                       |                 |