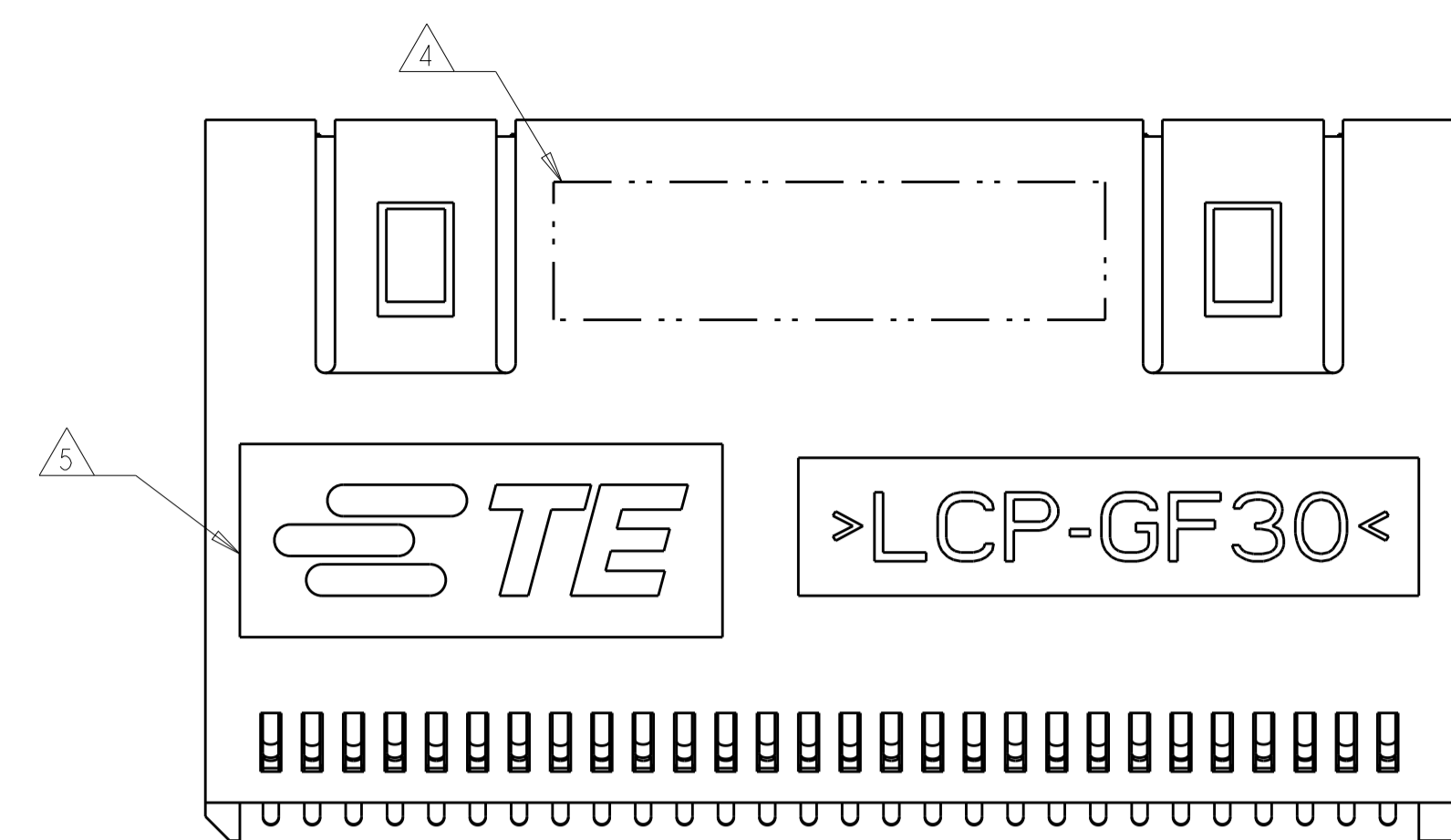
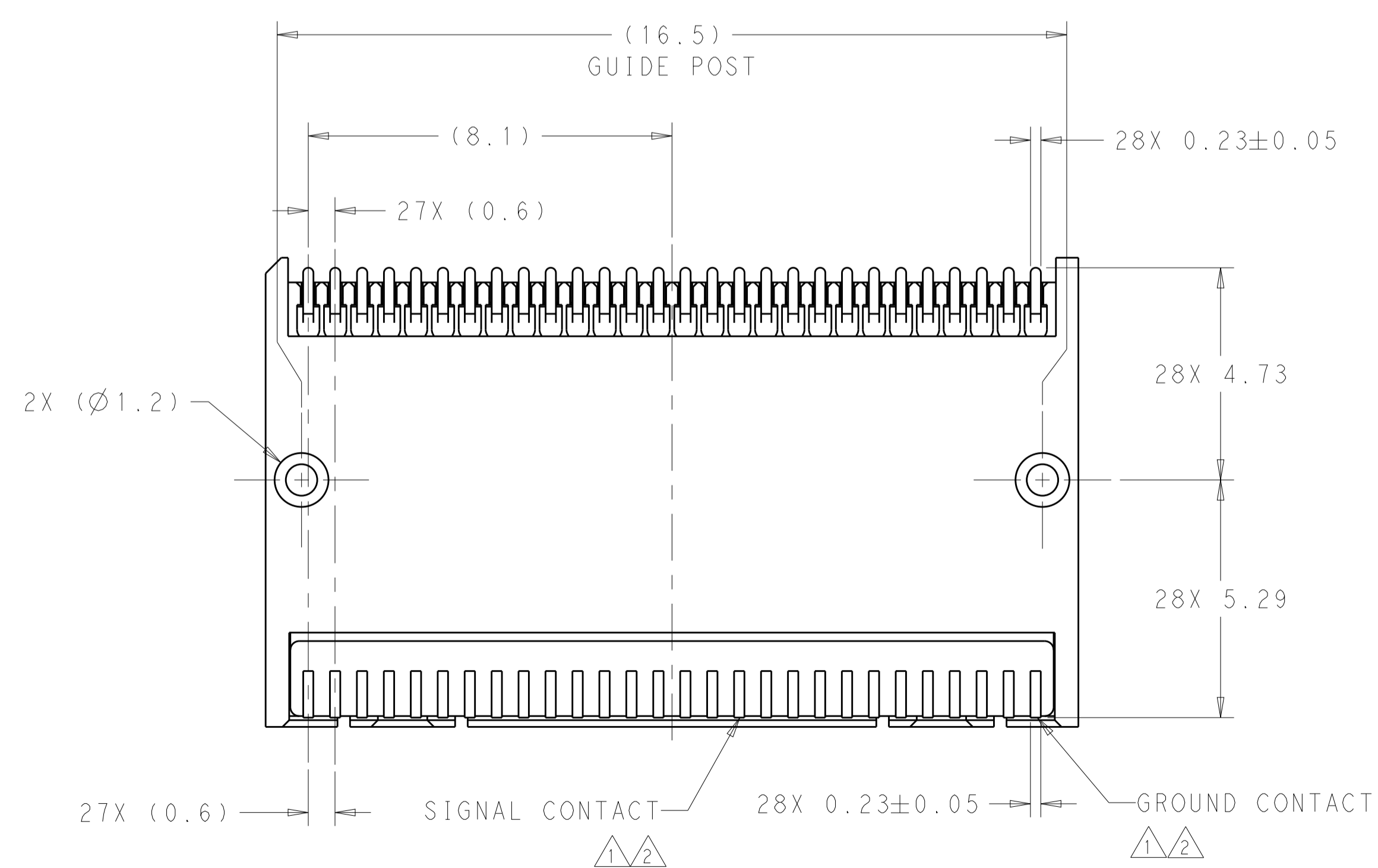
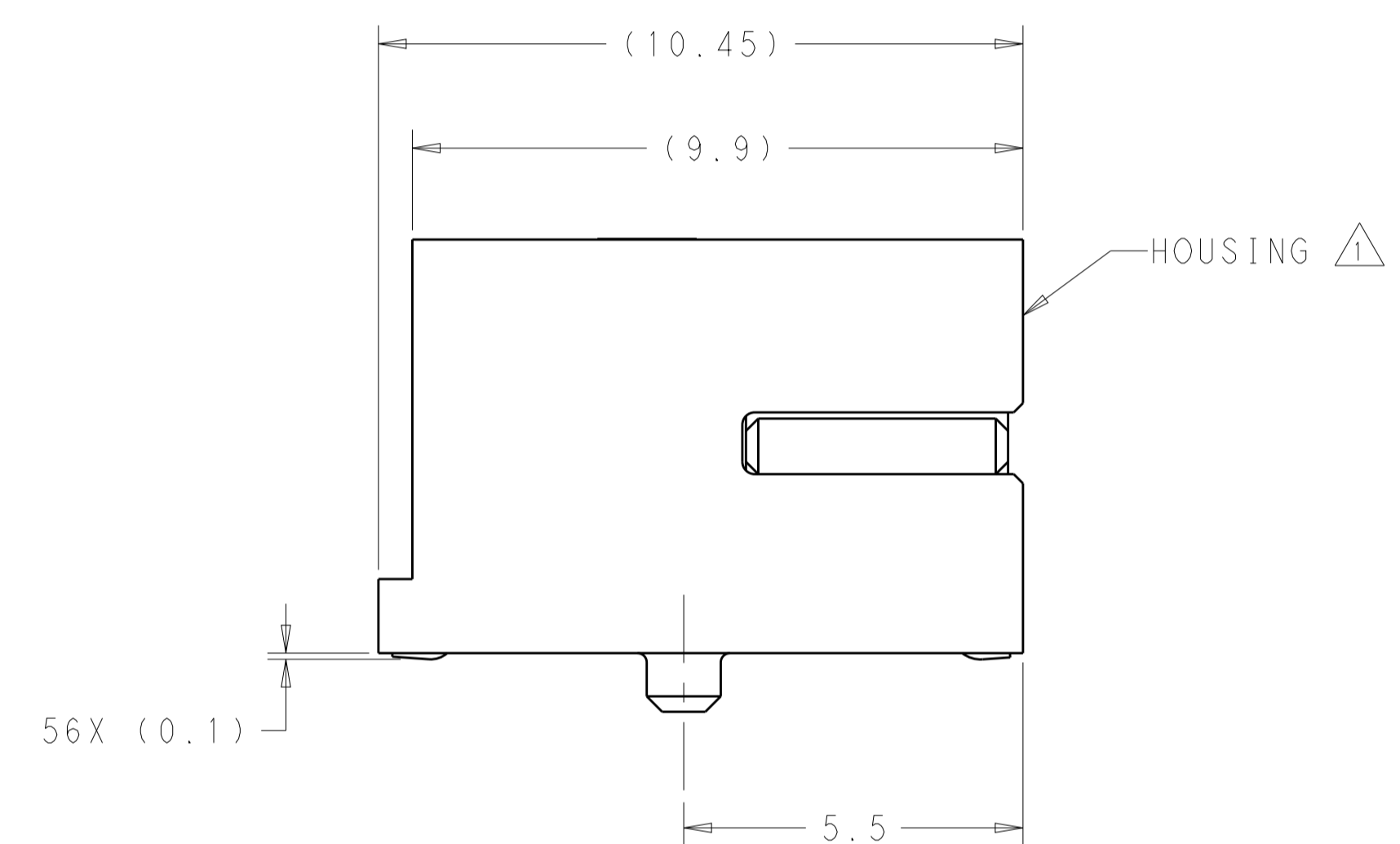
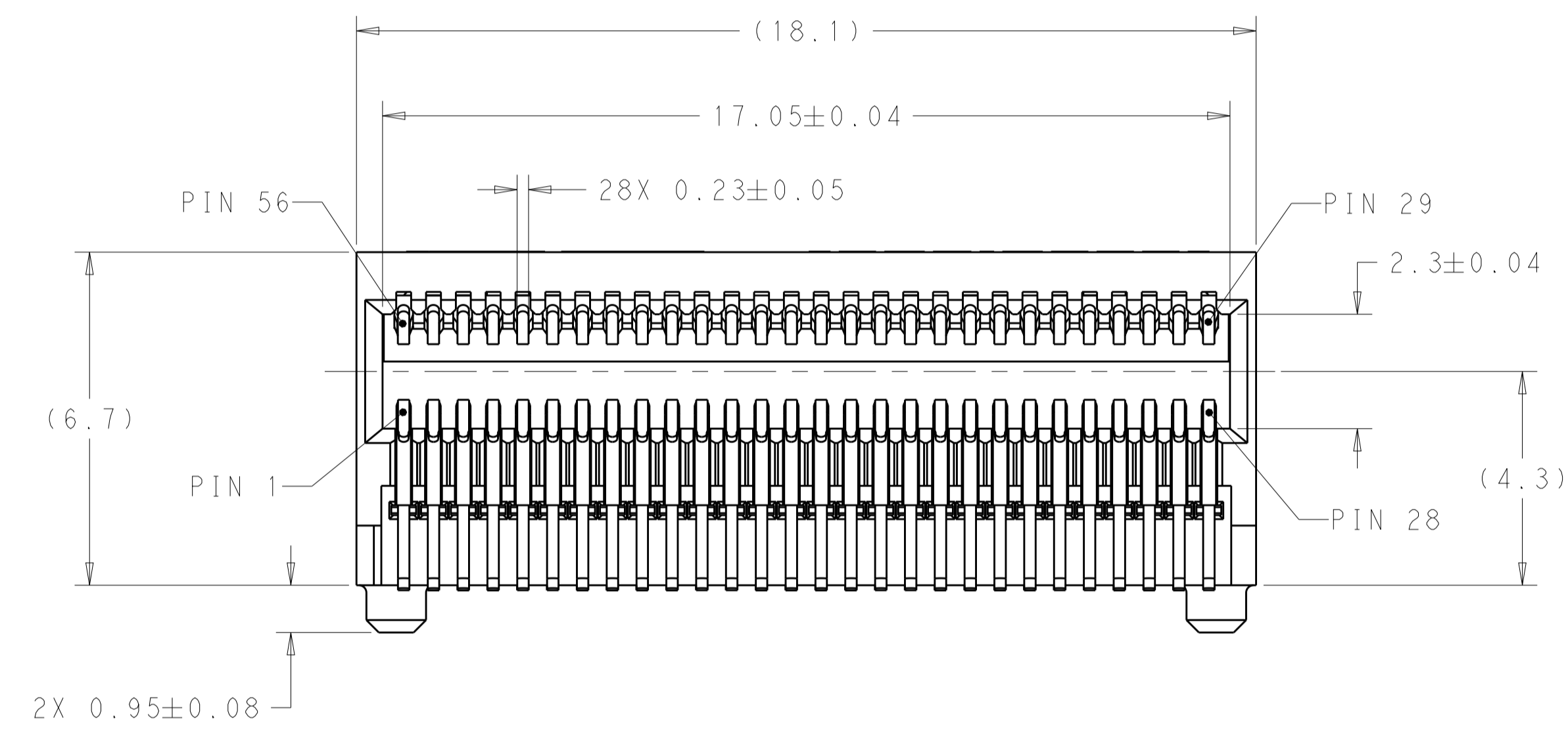


REVISIONS				
P.	LTN.	DESCRIPTION	DATE	APPROV.
5		REVISED	02NOV2016	MS JW



- △ MATERIALS:
 HOUSING- POLYESTER LCP. UL 94V-0
 SIGNAL CONTACT- COPPER ALLOY.
 GROUND CONTACT- COPPER ALLOY.
- △ CONTACT FINISH: CONFORMS TO THE REQUIREMENTS OF TE PRODUCT SPECIFICATION 108-32103, BASED ON EIA/ECA-364-1000.01A, (CONTROLLED ENVIRONMENT APPLICATIONS) ON MATING INTERFACE, GOLD FLASH ON SOLDER TAIL.
- △ DATUM AND BASIC DIMENSION ESTABLISHED BY CUSTOMER.
- △ PART NUMBER AND DATE CODE MARKED IN APPROXIMATE AREA SHOWN.
- △ MANUFACTURER'S LOGO APPROXIMATELY AS SHOWN.



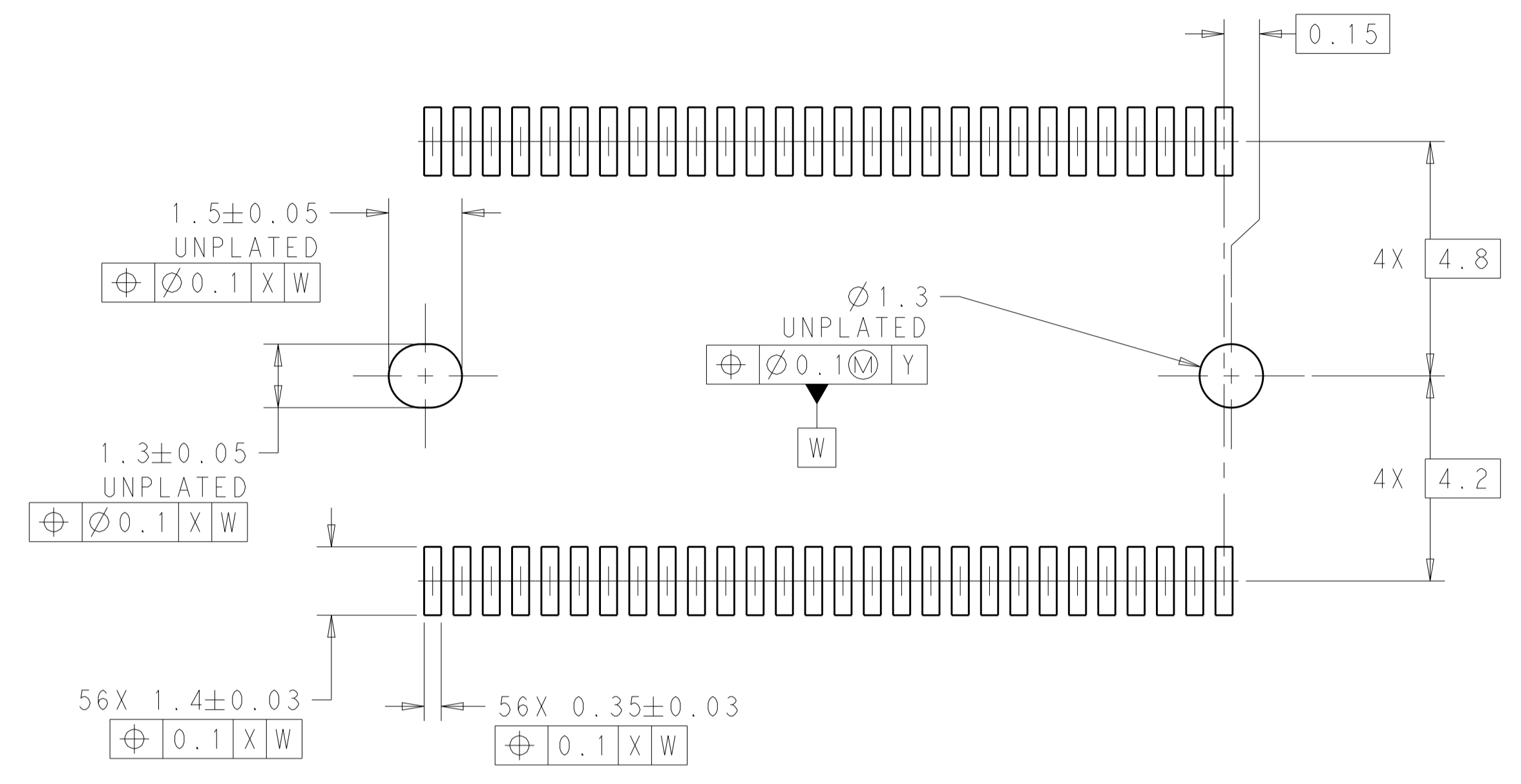
THIS PRODUCT HAS NOT COMPLETED VALIDATION AND QUALIFICATION TESTING

2288229-1
 PART NUMBER

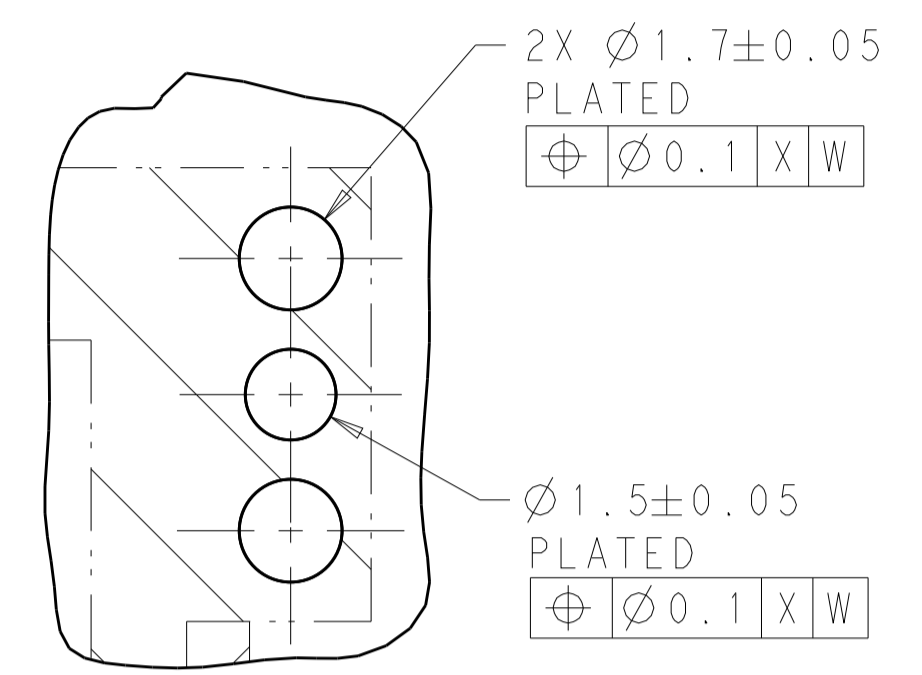
PRELIMINARY
 NOT RELEASED FOR PRODUCTION

THIS DRAWING IS A CONTROLLED DOCUMENT.		DWN: B MATTHEWS 01MAY2015	TE Connectivity	
DIMENSIONS:		CHK: M SCHWITZ 01MAY2015	PRELIMINARY	
TOLERANCES UNLESS OTHERWISE SPECIFIED:		APPR: M SCHWITZ 01MAY2015	NAME: CONNECTOR ASSEMBLY RECEPTACLE, CFP4	
mm	0 PLC ±	PRODUCT SPEC	SIZE	CAGE CODE
	1 PLC ±0.1	108-32103	A1	00779
	2 PLC ±	APPLICATION SPEC	SCALE	10:1
	3 PLC ±	114-32146	SHEET	1 OF 4
	4 PLC ±	WEIGHT	REV	5
	ANGLES ±	CUSTOMER DRAWING		

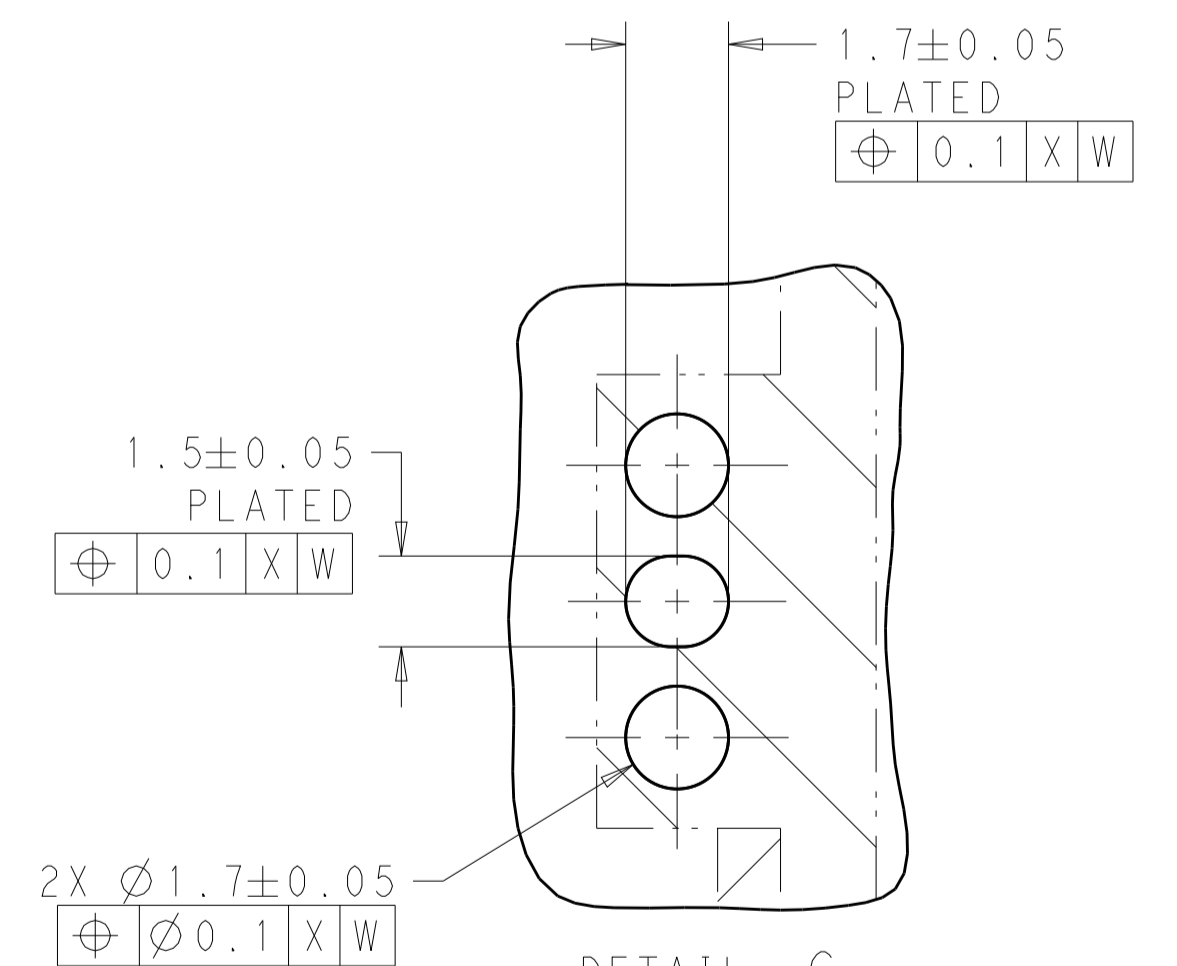
REVISIONS				
P.	LTN	DESCRIPTION	DATE	APVD
-	-	SEE SHEET 1	-	-



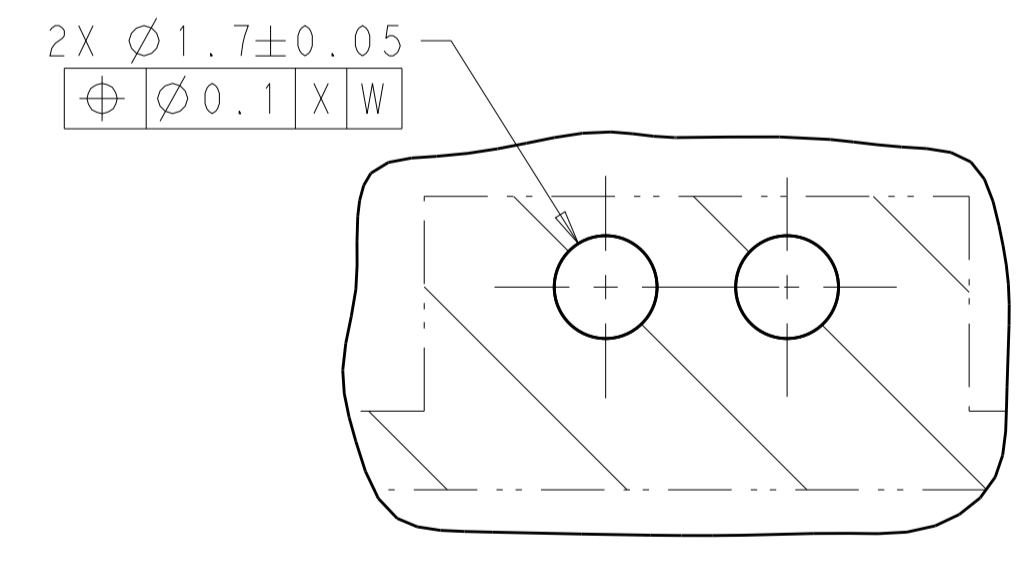
DETAIL A
 4X INDIVIDUALLY
 SCALE 10:1



DETAIL B
 SCALE 8:1



DETAIL C
 SCALE 8:1



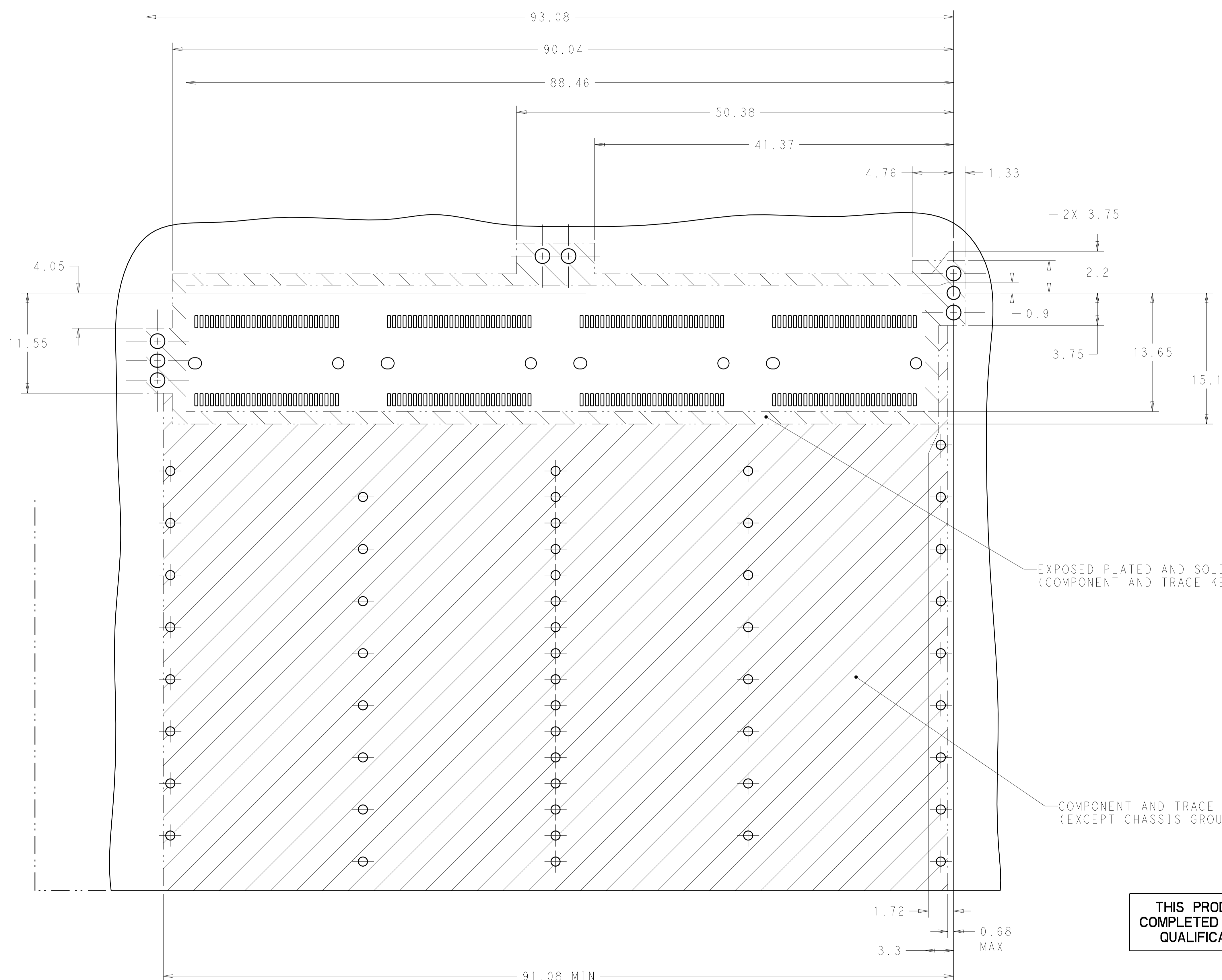
DETAIL D
 SCALE 8:1

THIS PRODUCT HAS NOT COMPLETED VALIDATION AND QUALIFICATION TESTING

PRELIMINARY NOT RELEASED FOR PRODUCTION

THIS DRAWING IS A CONTROLLED DOCUMENT.		DWN: B. MATTHEWS 01MAY2015	TE Connectivity
DIMENSIONS: mm		CHK: M. SCHMITT 01MAY2015	
TOLERANCES UNLESS OTHERWISE SPECIFIED:		APVD: M. SCHMITT 01MAY2015	NAME: CONNECTOR ASSEMBLY, RECEPTACLE, CFP4
0 PLC ±	1 PLC ±0.1	PRODUCT SPEC 108-32103	SIZE: A1
2 PLC ±	3 PLC ±	APPLICATION SPEC 114-32146	CAGE CODE: 2288229
4 PLC ±	ANGLES ±	WEIGHT	RESTRICTED TO
MATERIAL	FINISH	CUSTOMER DRAWING	SCALE: 10:1 SHEET 3 OF 4 REV 5

REVISIONS				
P.	LTN	DESCRIPTION	DATE	APVD
-	-	SEE SHEET 1	-	-



SCALE 4:1

**PRELIMINARY
NOT RELEASED FOR PRODUCTION**

**THIS PRODUCT HAS NOT
COMPLETED VALIDATION AND
QUALIFICATION TESTING**

THIS DRAWING IS A CONTROLLED DOCUMENT.		DWN: B. MATTHEWS 01MAY2015	TE Connectivity
DIMENSIONS: mm		CHK: M. SCHMITT 01MAY2015	
TOLERANCES UNLESS OTHERWISE SPECIFIED:		APVD: M. SCHMITT 01MAY2015	NAME: CONNECTOR ASSEMBLY, RECEPTACLE, CFP4
0 PLC	±	PRODUCT SPEC	SIZE: A1
2 PLC	±0.1	108-32103	CAGE CODE: 100779
3 PLC	±	APPLICATION SPEC	©=2288229
4 PLC	±	114-32146	RESTRICTED TO
ANGLES	±	WEIGHT	SCALE: 10:1
MATERIAL	FINISH	CUSTOMER DRAWING	SHEET 4 OF 4
			REV 5