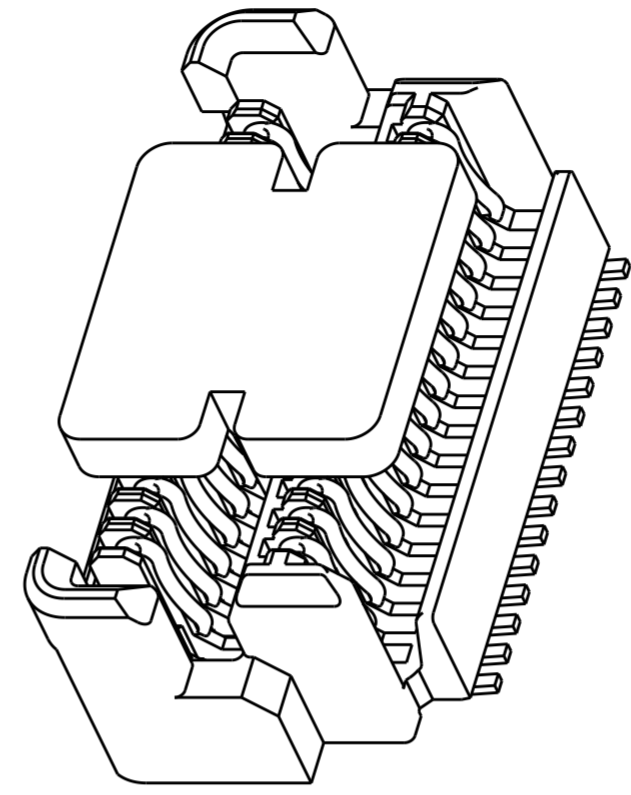
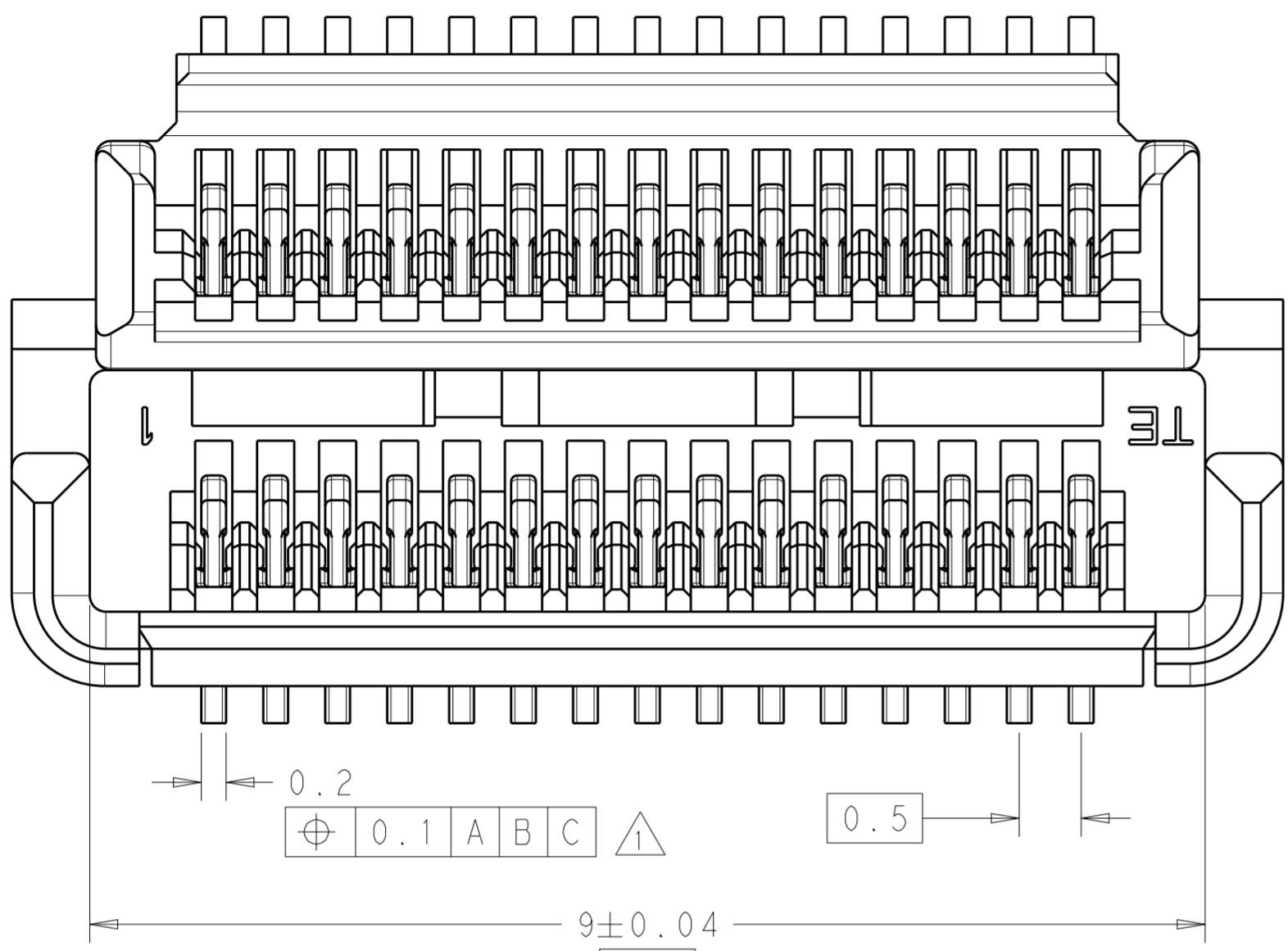


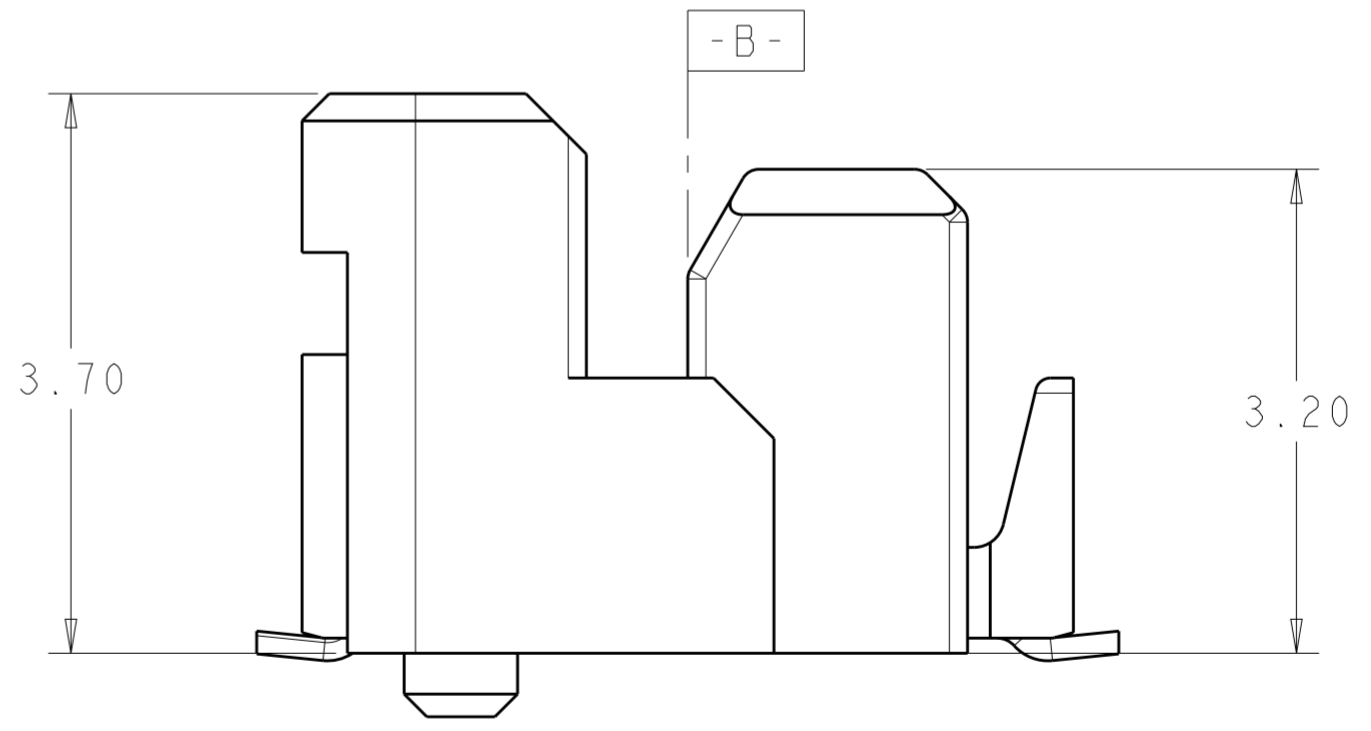
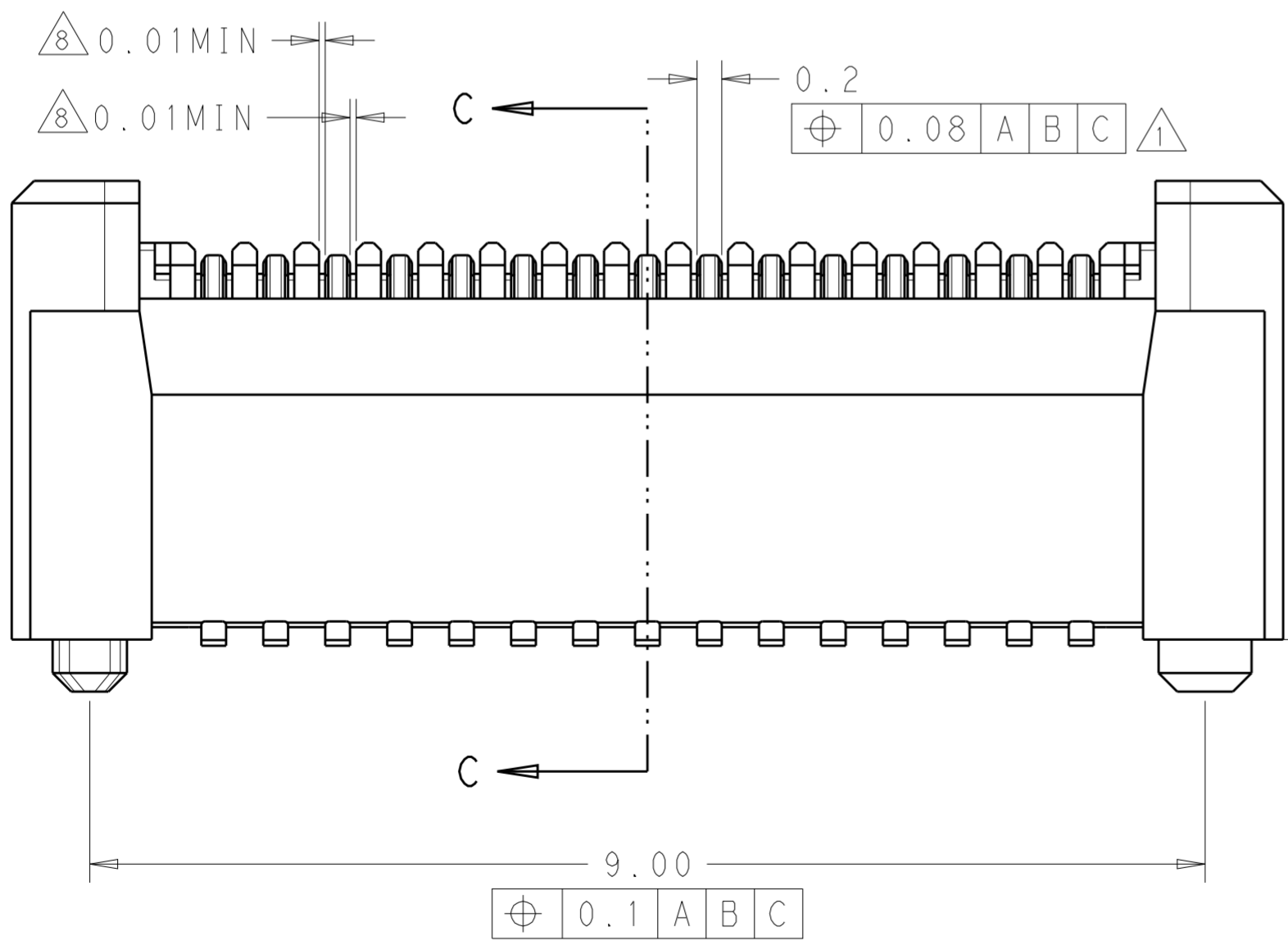
THIS DRAWING IS UNPUBLISHED. RELEASED FOR PUBLICATION
 © COPYRIGHT copyright.d8te- ALL RIGHTS RESERVED.

| REVISIONS | | | | | |
|-----------|-----|-------------|-----------|-----|------|
| P | LTR | DESCRIPTION | DATE | DWN | APVD |
| | A | NEW RELEASE | 18MAY2017 | B.J | S.Y |
| | | | | | |
| | | | | | |



NOTES:

- 1. MATERIALS:
 - HOUSING: L.C.P (HIGH TEMP THERMOPLASTIC) UL 94V-0
 - CAP: L.C.P (HIGH TEMP THERMOPLASTIC) UL 94V-0
 - CONTACT: COPPER ALLOY
- 2. FINISH:
 - ENGAGEMENT AREA: 0.00038MM MIN GOLD
 - SOLDERING AREA: 0.00005MM MIN GOLD
 - UNDERPLATING: 0.00127MM MIN NICKEL ALL OVER



2291283-1 WITHOUT CAP

| | | | | | | | | |
|--|--|--------------------------|------------------------|-----------------|--------------------|--|--|--|
| THIS DRAWING IS A CONTROLLED DOCUMENT. | | DWN B.J 18MAY2017 | TE Connectivity | | | | | |
| DIMENSIONS: | | CHK A.S 18MAY2017 | | | | NAME 0.5MM FPH BTB CONN. 30POS 4MM MATING HEIGHT | | |
| mm | | APVD S.Y 18MAY2017 | | | | PRODUCT SPEC - | | |
| TOLERANCES UNLESS OTHERWISE SPECIFIED: | | APPLICATION SPEC - | | | | SIZE A2 | | |
| 0 PLC ± | | WEIGHT - | CAGE CODE C-2291283 | | RESTRICTED TO - | | | |
| 1 PLC ±0.2 | | SCALE 10:1 | | SHEET 1 OF 5 | | | | |
| 2 PLC ±0.08 | | CUSTOMER DRAWING | | REV A | | | | |
| 3 PLC ± | | | | | | | | |
| 4 PLC ± | | | | | | | | |
| ANGLES ± | | | | | | | | |
| FINISH | | | | | | | | |
| finish_spec_2 | | | | | | | | |

4

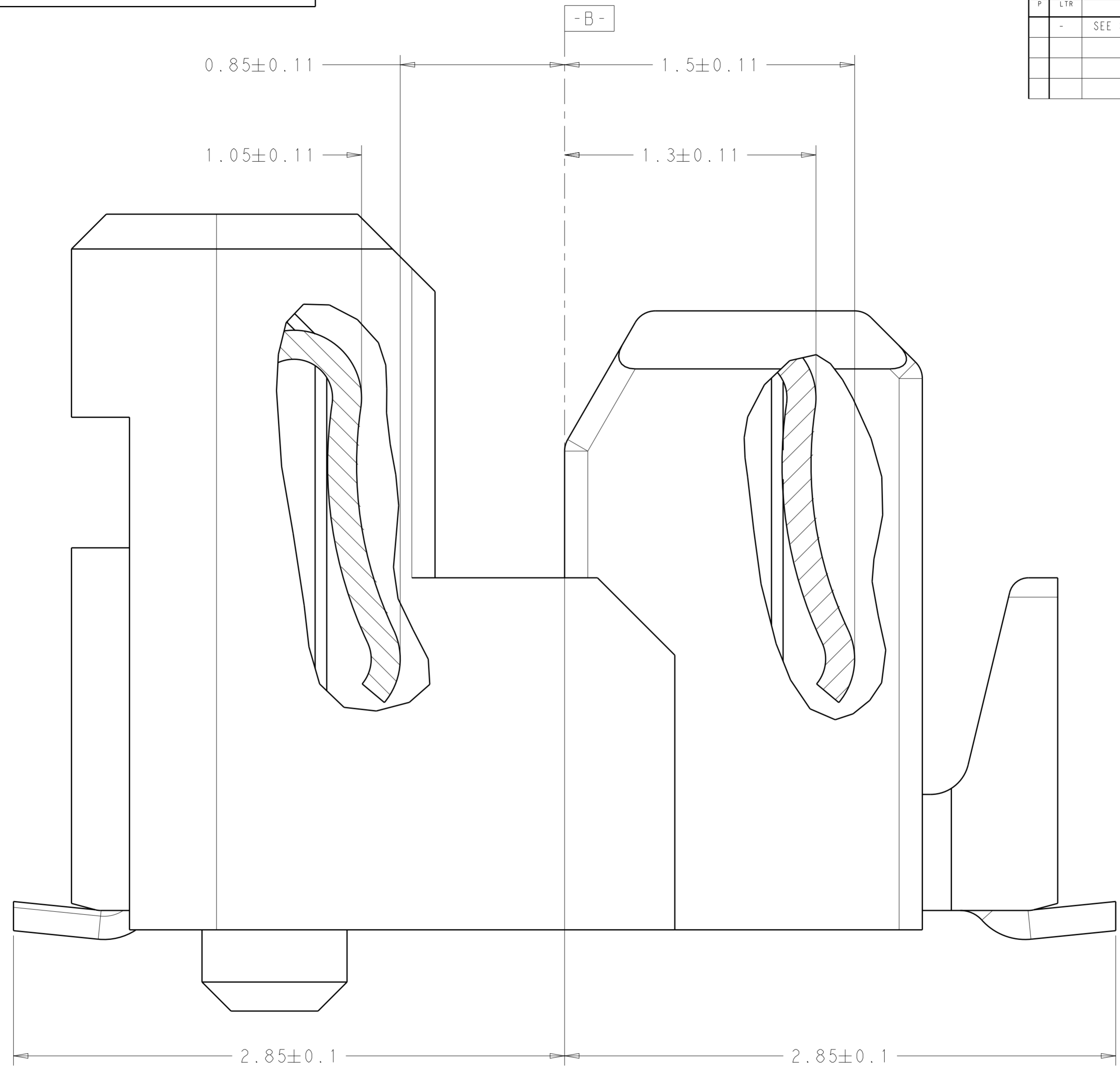
3

2

1

THIS DRAWING IS UNPUBLISHED. RELEASED FOR PUBLICATION
 © COPYRIGHT copyright.d8te- ALL RIGHTS RESERVED.

| REVISIONS | | | | |
|-----------|-----|-------------|------|------|
| P | LTR | DESCRIPTION | DATE | APVD |
| - | | SEE SHEET 1 | - | - |
| | | | | |
| | | | | |



SECTION C-C
 SCALE 60:1

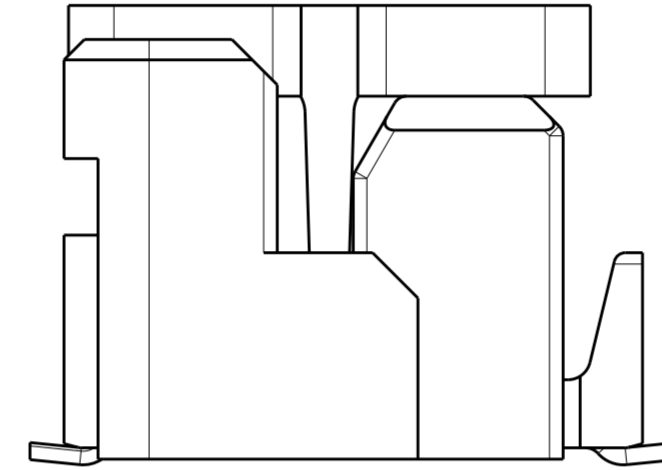
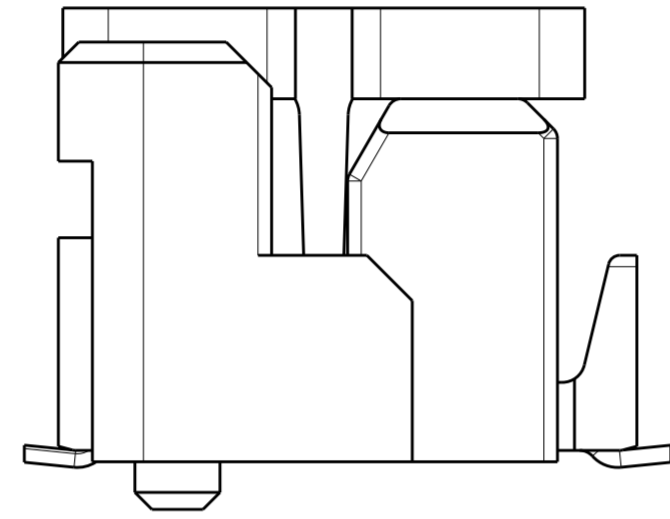
| | | | | | |
|--|--|------------------|-----------|--|--|
| THIS DRAWING IS A CONTROLLED DOCUMENT. | | DWN B.J | 18MAY2017 | TE Connectivity | |
| | | CHK A.S | 18MAY2017 | | |
| | | APVD S.Y | 18MAY2017 | | |
| | | PRODUCT SPEC | | | |
| DIMENSIONS: | | | | NAME | |
| mm | | | | 0.5MM FPH BTB CONN. 30POS 4MM MATING HEIGHT | |
| TOLERANCES UNLESS OTHERWISE SPECIFIED: | | | | SIZE | |
| 0 PLC ± | | | | A2 | |
| 1 PLC ±0.2 | | | | CAGE CODE | |
| 2 PLC ±0.08 | | | | DRAWING NO | |
| 3 PLC ± | | | | C-2291283 | |
| 4 PLC ± | | | | RESTRICTED TO | |
| ANGLES ± | | | | - | |
| FINISH | | | | SCALE | |
| - | | | | 10:1 | |
| - | | finish_spec_2 | | SHEET | |
| | | CUSTOMER DRAWING | | 2 OF 5 | |
| | | | | REV | |
| | | | | A | |

THIS DRAWING IS UNPUBLISHED. RELEASED FOR PUBLICATION
 © COPYRIGHT copyright.d8te- ALL RIGHTS RESERVED.

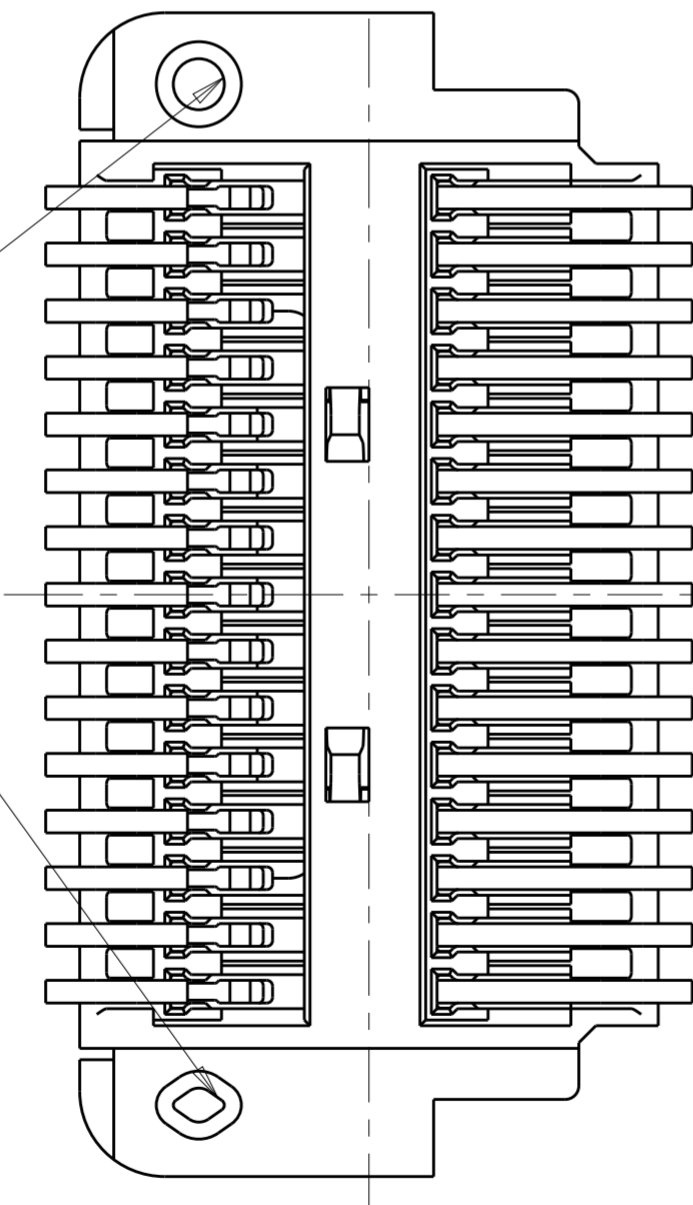
| REVISIONS | | | | |
|-----------|-----|-------------|------|------|
| P | LTR | DESCRIPTION | DATE | APVD |
| - | | SEE SHEET 1 | - | - |
| | | | | |
| | | | | |

2291283-1 WITH CAP
(WITH BOSS VERSION)

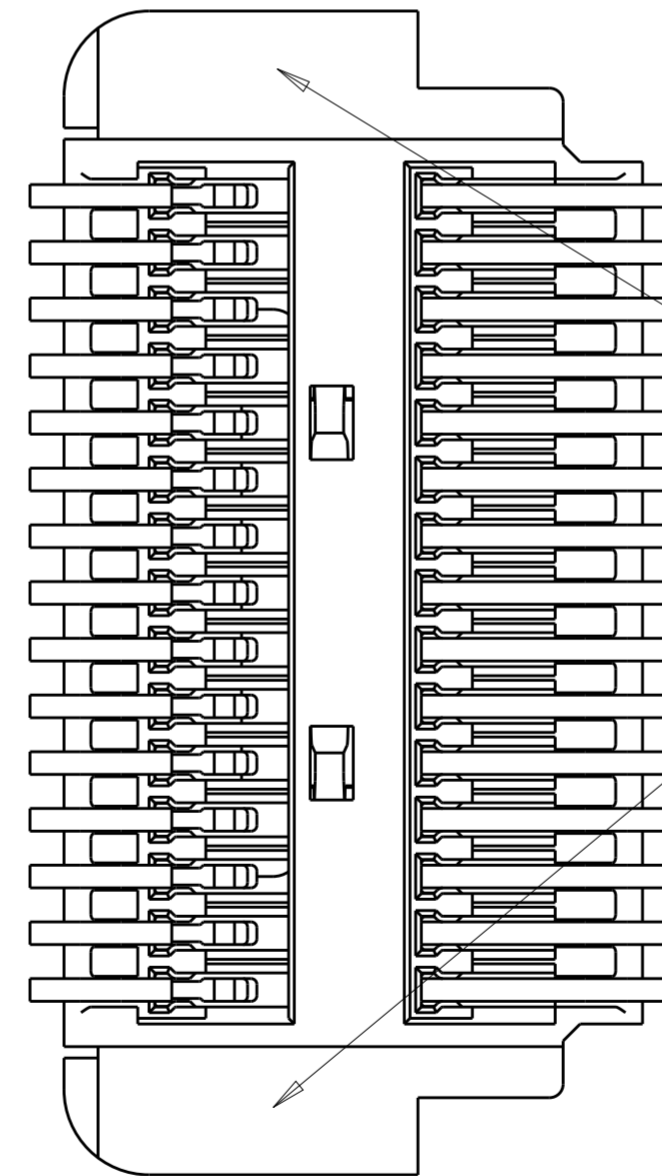
2291283-2 WITH CAP
(WITHOUT BOSS VERSION)


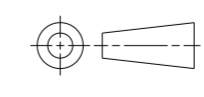


WITH POST



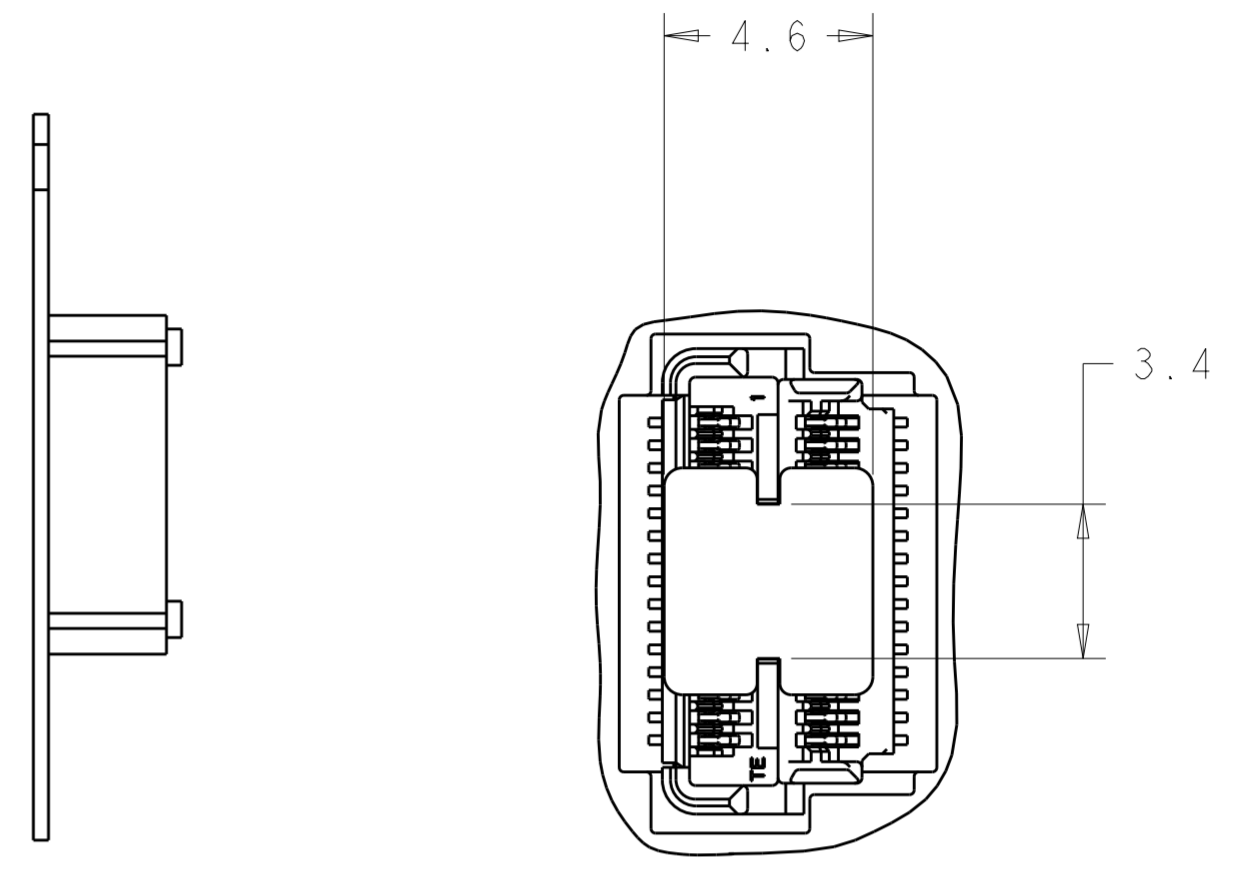
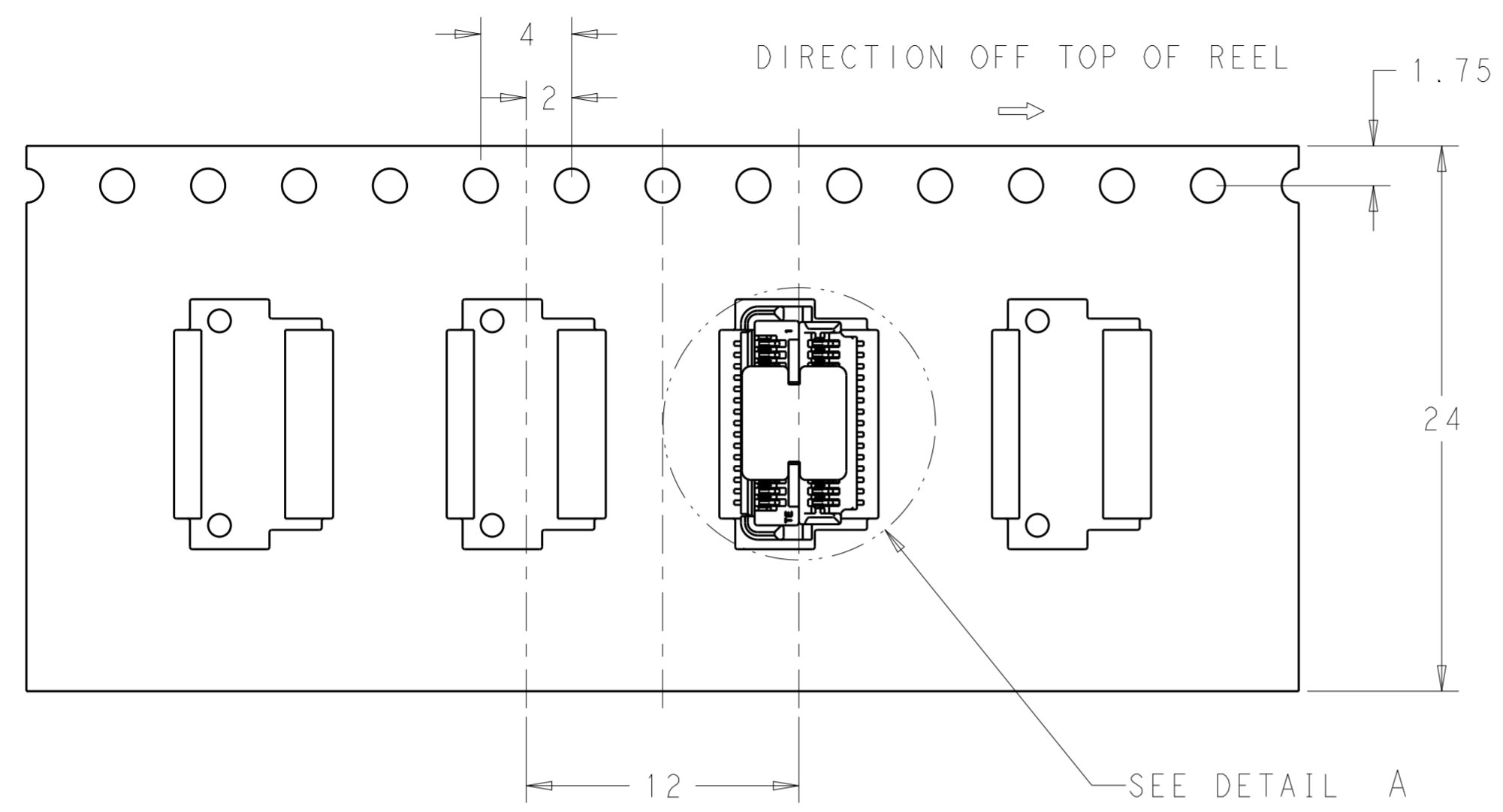
WITHOUT POST



| | | | | |
|---|--|--|-----------|---|
| THIS DRAWING IS A CONTROLLED DOCUMENT. | | DWN B. J | 18MAY2017 |  TE Connectivity |
| | | CHK A. S | 18MAY2017 | |
| | | APVD S. Y | 18MAY2017 | |
| | | PRODUCT SPEC | | |
| DIMENSIONS: mm  | | TOLERANCES UNLESS OTHERWISE SPECIFIED: 0 PLC ± 1 PLC ±0.2 2 PLC ±0.08 3 PLC ± 4 PLC ± ANGLES ±1° FINISH | | NAME 0.5MM FPH BTB CONN. 30POS 4MM MATING HEIGHT |
| MATERIAL | | WEIGHT | | SIZE A2 |
| - | | - | | CAGE CODE C-2291283 |
| - | | finish_spec_2 | | DRAWING NO C-2291283 |
| | | CUSTOMER DRAWING | | RESTRICTED TO - |
| | | SCALE 10:1 | | SHEET 3 OF 5 REV A |

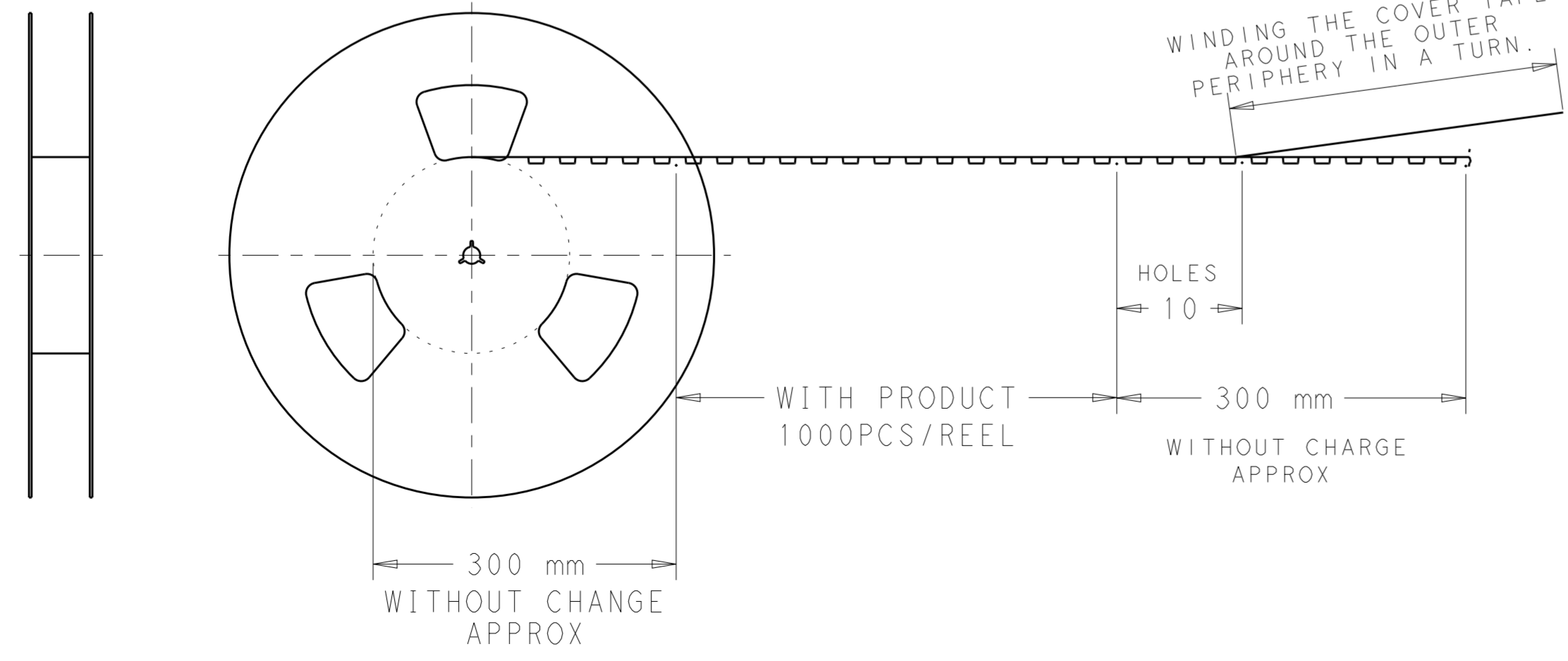
THIS DRAWING IS UNPUBLISHED. RELEASED FOR PUBLICATION. ALL RIGHTS RESERVED.

| REVISIONS | | | | | |
|-----------|-----|-------------|------|-----|------|
| P | LTR | DESCRIPTION | DATE | DWN | APVD |
| - | | SEE SHEET 1 | - | - | - |
| | | | | | |
| | | | | | |



DETAIL A SCALE 6:1

WINDING THE COVER TAPE AROUND THE OUTER PERIPHERY IN A TURN.



| | | | | | | |
|-----------|-----------|---------------|----------|-------|-----|-----------|
| NATURAL | BLACK | WITHOUT | Δ | 1100 | 30 | 2291283-2 |
| NATURAL | BLACK | WITH | Δ | 1100 | 30 | 2291283-1 |
| CAP COLOR | HSG COLOR | LOCATION POST | FINISH | QTY/R | POS | P/N |

THIS DRAWING IS A CONTROLLED DOCUMENT.

| | | |
|------|-------|-----------|
| DWN | B. J. | 18MAY2017 |
| CHK | A. S. | 18MAY2017 |
| APVD | S. Y. | 18MAY2017 |

STE TE Connectivity

NAME: 0.5MM FPH BTB CONN
30POS 4MM MATING HEIGHT

| | | | |
|------|-----------|------------|---------------|
| SIZE | CAGE CODE | DRAWING NO | RESTRICTED TO |
| A2 | | C-2291283 | - |

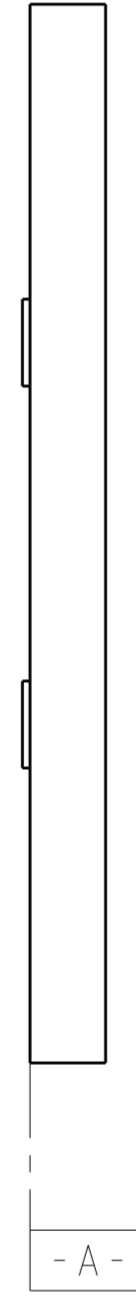
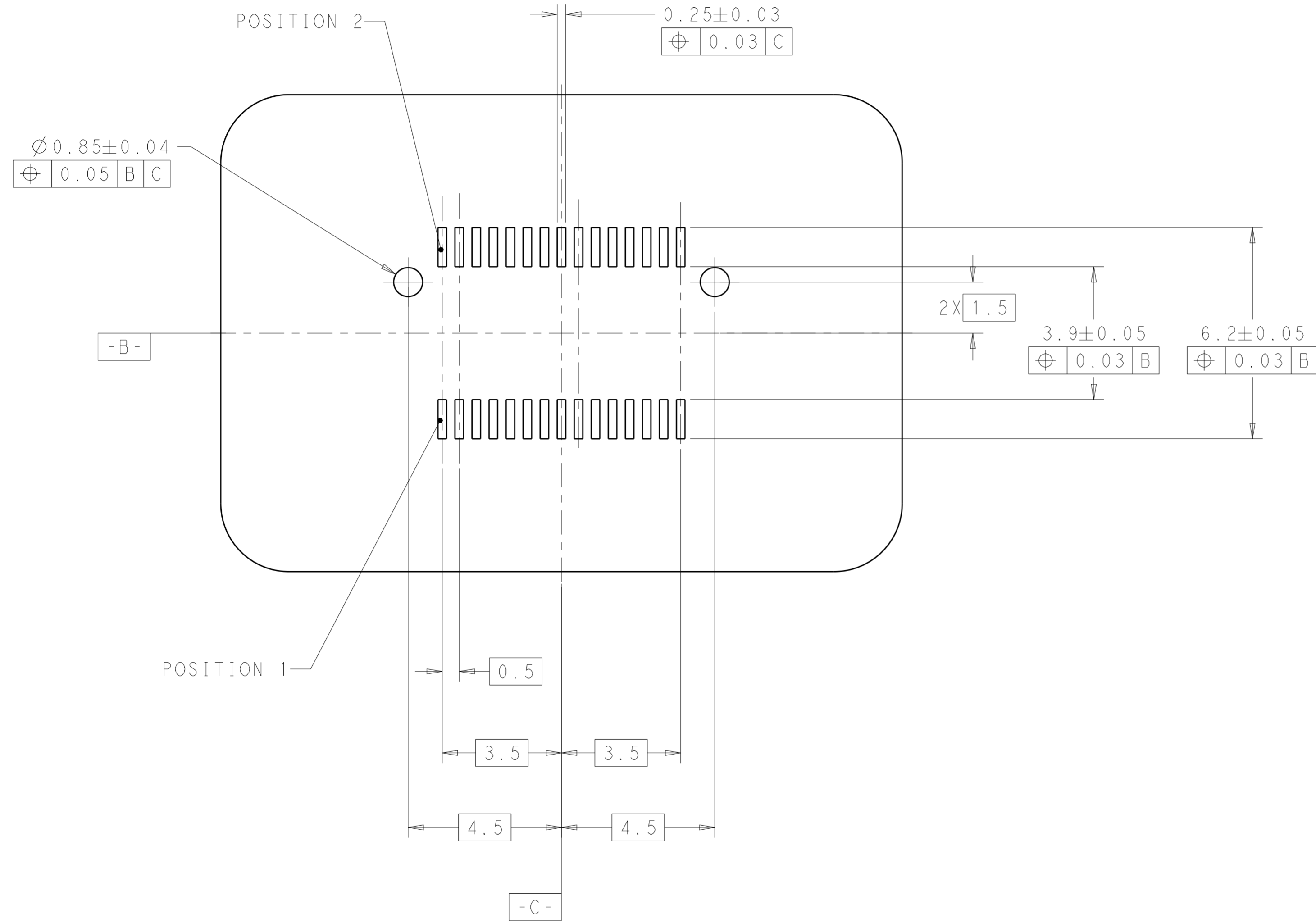
MATERIAL: -
FINISH: -
finish_spec_2

CUSTOMER DRAWING

SCALE 10:1 SHEET 4 OF 5 REV A

THIS DRAWING IS UNPUBLISHED. RELEASED FOR PUBLICATION
 © COPYRIGHT copyright.dBTe- ALL RIGHTS RESERVED.

| REVISIONS | | | | |
|-----------|-----|-------------|------|------|
| P | LTR | DESCRIPTION | DATE | APVD |
| - | | SEE SHEET 1 | - | - |
| | | | | |
| | | | | |



RECOMMENDED FOOTPRINT

| | | | | | |
|--|--|---|-----------|---|--|
| THIS DRAWING IS A CONTROLLED DOCUMENT. | | DWN B.J | 18MAY2017 | TE Connectivity | |
| | | CHK A.S | 18MAY2017 | | |
| | | APVD S.Y | 18MAY2017 | | |
| | | PRODUCT SPEC | | | |
| DIMENSIONS: | | TOLERANCES UNLESS OTHERWISE SPECIFIED: | | NAME | |
| mm | | 0 PLC ±- 1 PLC ±0.2 2 PLC ±0.08 3 PLC ±- 4 PLC ±- ANGLES ±- FINISH ±- | | 0.5MM FPH BTB CONN 30POS 4MM MATING HEIGHT | |
| MATERIAL | | finish_spec_2 | | SIZE | |
| | | CUSTOMER DRAWING | | A2 | |
| | | SCALE 10:1 | | DRAWING NO | |
| | | SHEET 5 OF 5 | | C-2291283 | |
| | | REV A | | RESTRICTED TO | |