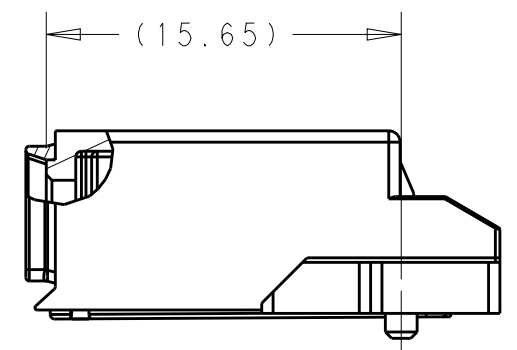
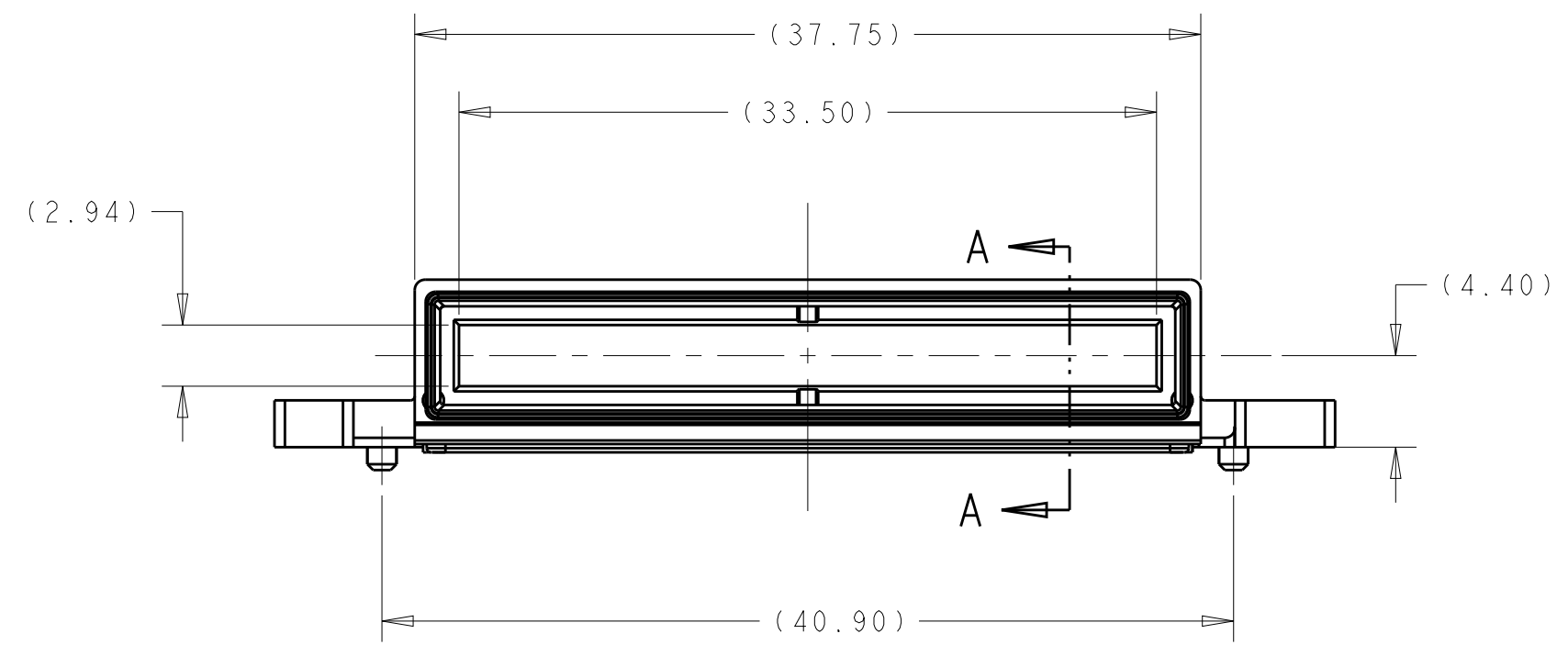
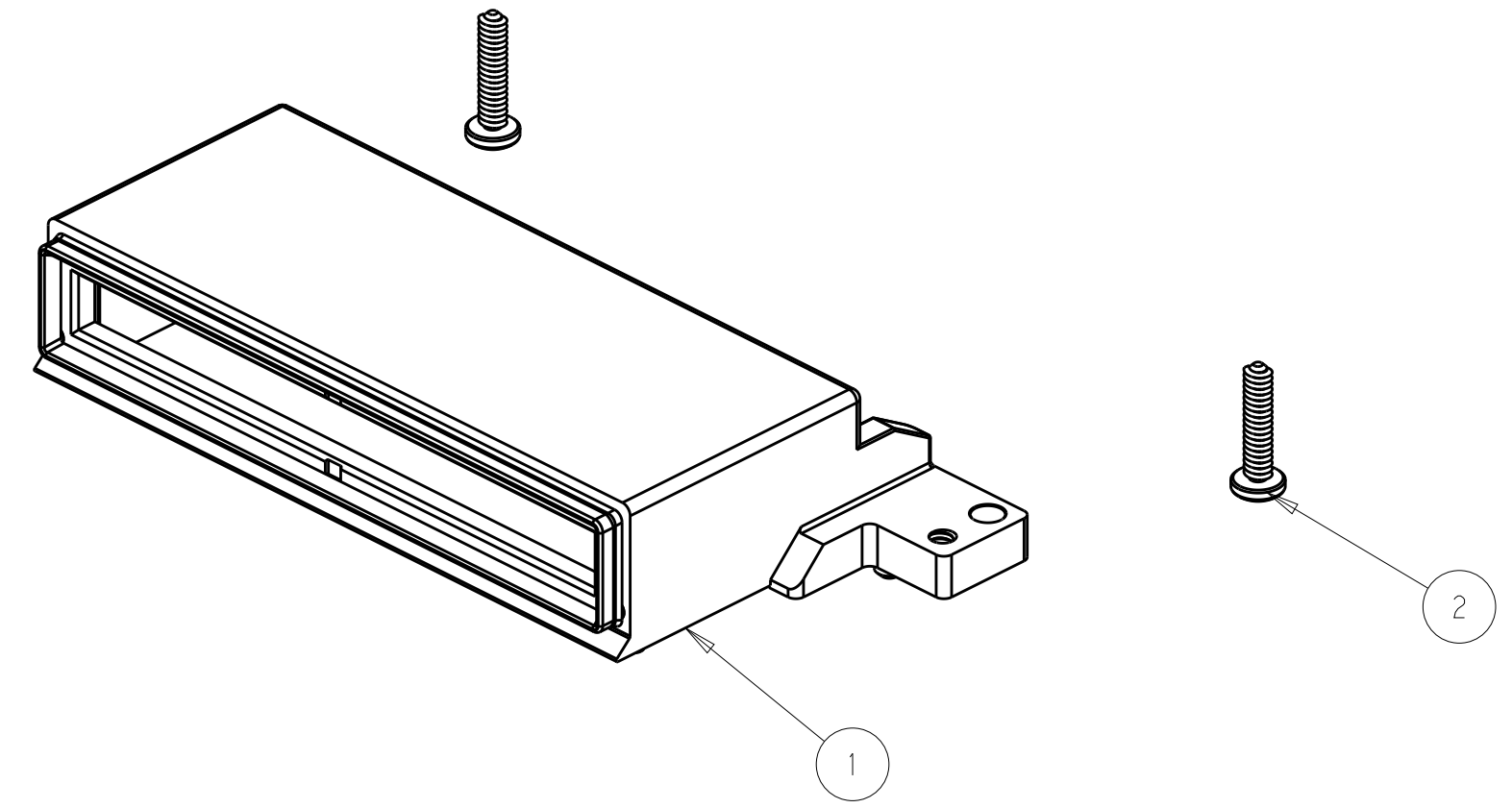
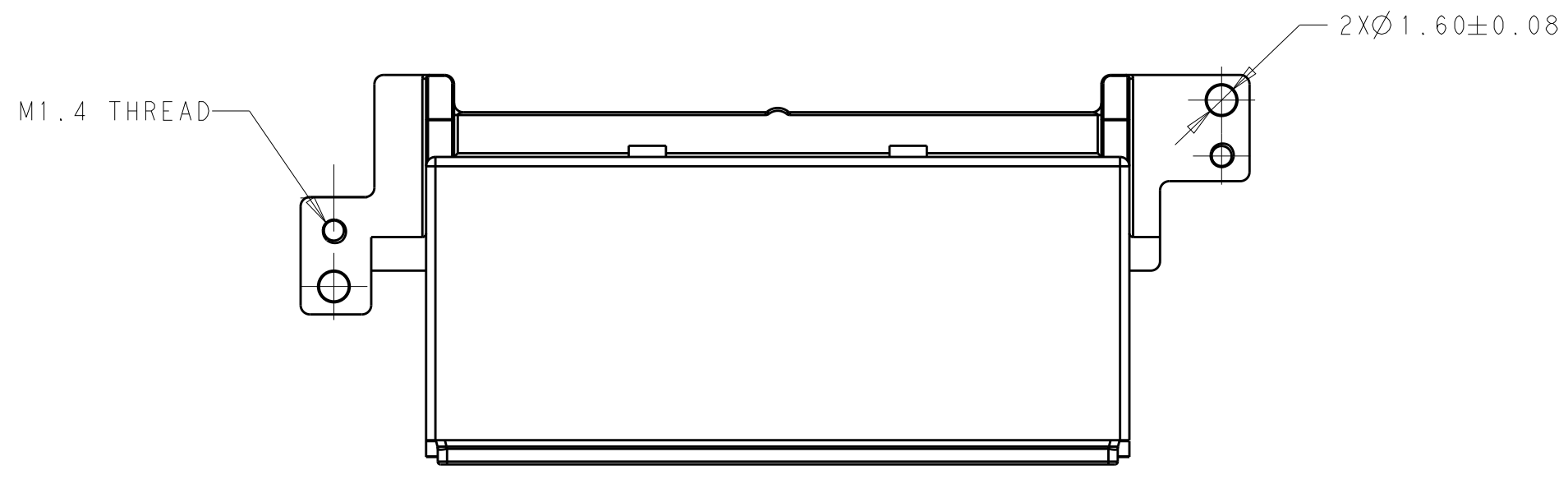


THIS DRAWING IS UNPUBLISHED. RELEASED FOR PUBLICATION 20
 © COPYRIGHT 20 BY - ALL RIGHTS RESERVED.

REVISIONS				
P	LTR	DESCRIPTION	DATE	APVD
1		PRELIMINARY DRAWING	30MAY2016	AD SH

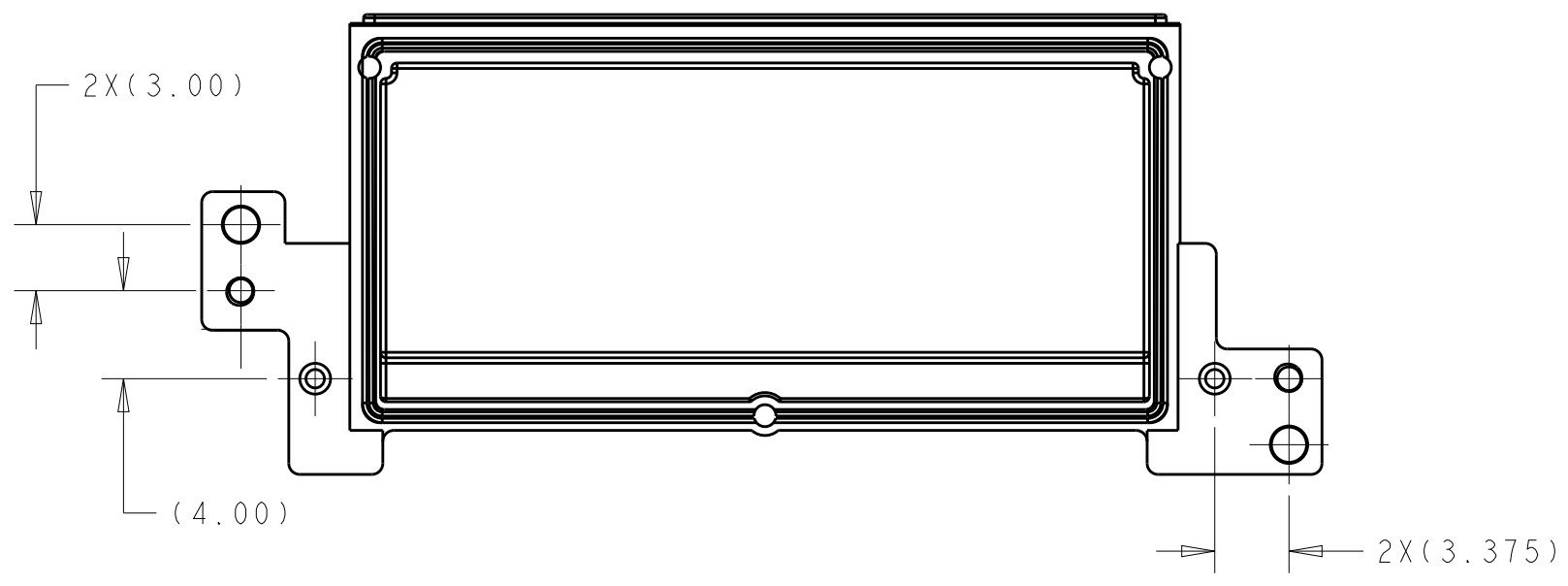


SECTION A - A

THIS PRINT IS
PRELIMINARY
 UNQUALIFIED PRODUCT
 CONTACT PRODUCT ENGINEERING
 BEFORE USING THIS PRINT

- 1.MATERIAL: RECEPTACLE COVER-ZINC ALLOY
 GASKET-SILICON
 SCREW-STAINLESS STEEL
- 2.PLATING: RECEPTACLE COVER-1.27um NICKEL OVER COPPER PLATING
- 3.MATE WIHT MSA COMPLIANT TRANSCEIVER
- 4.PACKAGED AS SEPARATED KITS IN ONE BOX

REV	DESCRIPTION	ITEM
2	M1.4X6 SCREW	2
1	COVER WIHT GASKET	1
-1	PART NUMBER	



THIS DRAWING IS A CONTROLLED DOCUMENT.

DWN ANDY CIF 30MAY2016	30MAY2016		PRELIMINARY
CHK SEAN HAN 30MAY2016	30MAY2016		
APVD SEAN HAN 30MAY2016	30MAY2016		
NAME RECEPTACLE COVER WITH SCREW CFP2 1X1			
DIMENSIONS: mm	TOLERANCES UNLESS OTHERWISE SPECIFIED: 0 PLC ± 1 PLC ±0.25 2 PLC ±0.15 3 PLC ±0.10 4 PLC ± ANGLES ± FINISH	PRODUCT SPEC -	RESTRICTED TO -
MATERIAL -		APPLICATION SPEC -	SCALE 2:1
		WEIGHT -	SHEET 1 OF 1
		CUSTOMER DRAWING	REV 1