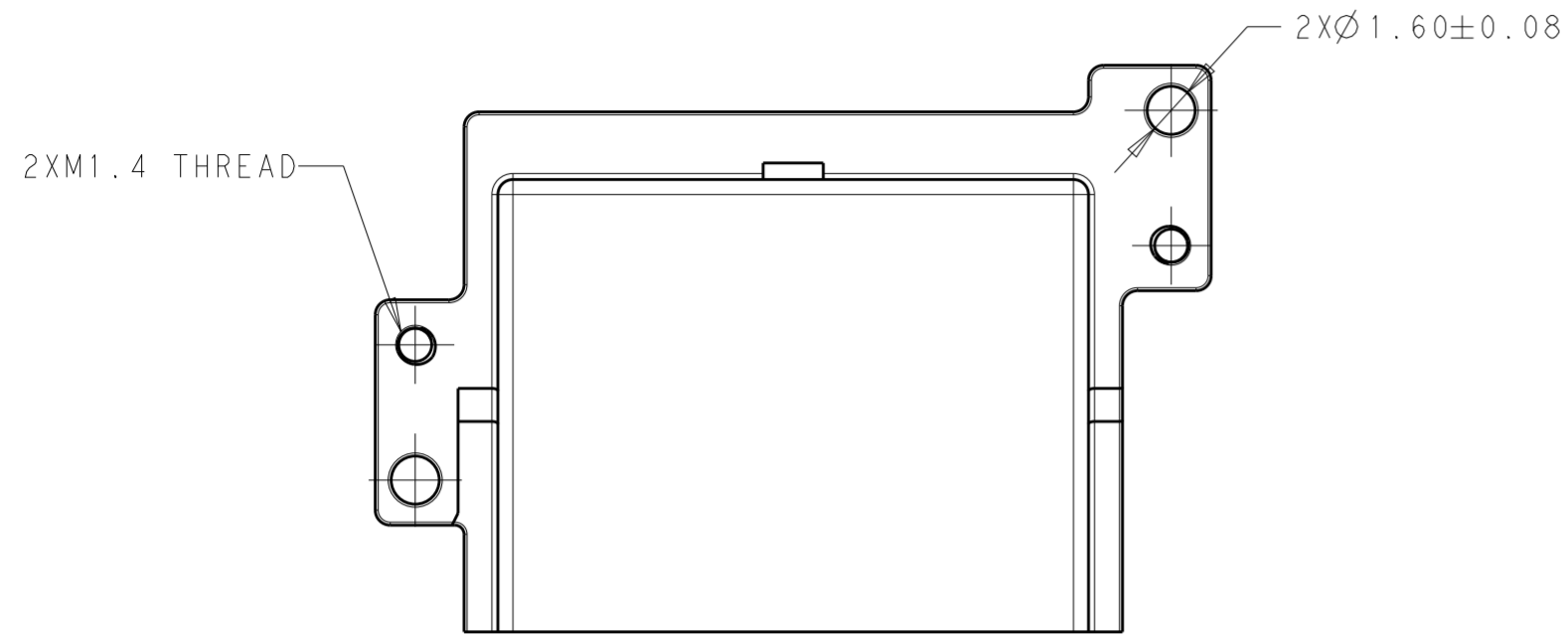
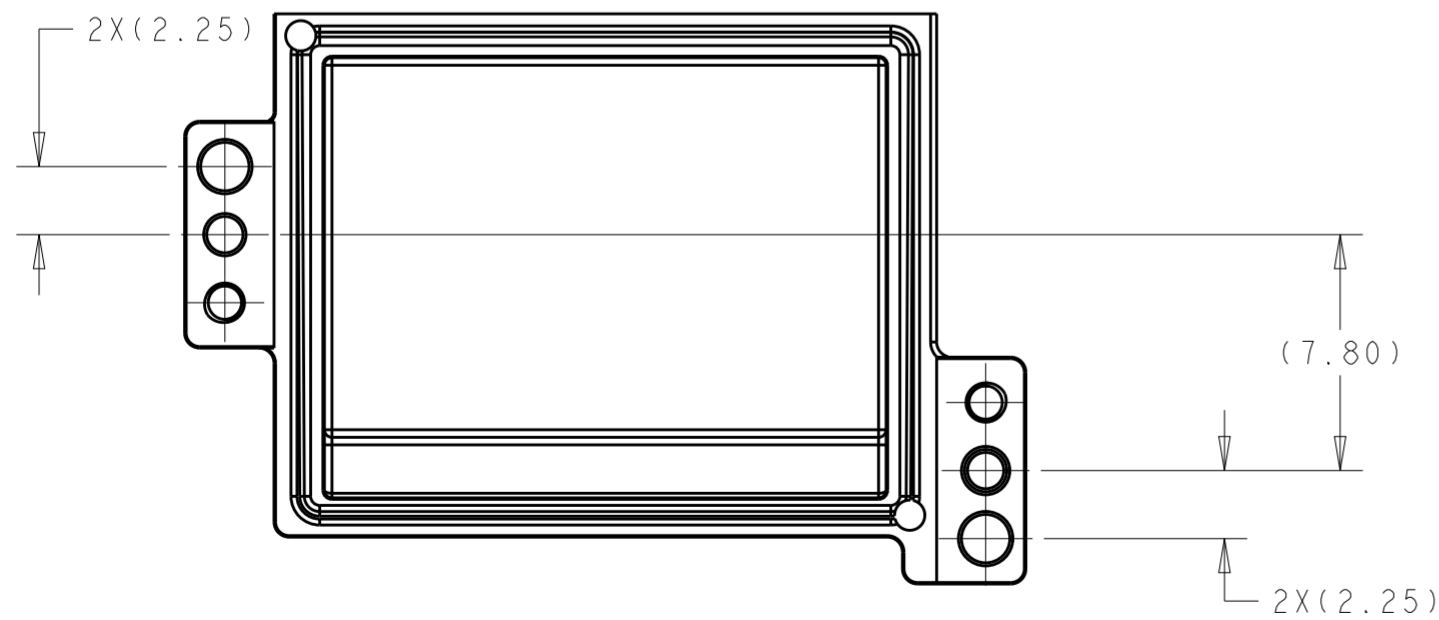
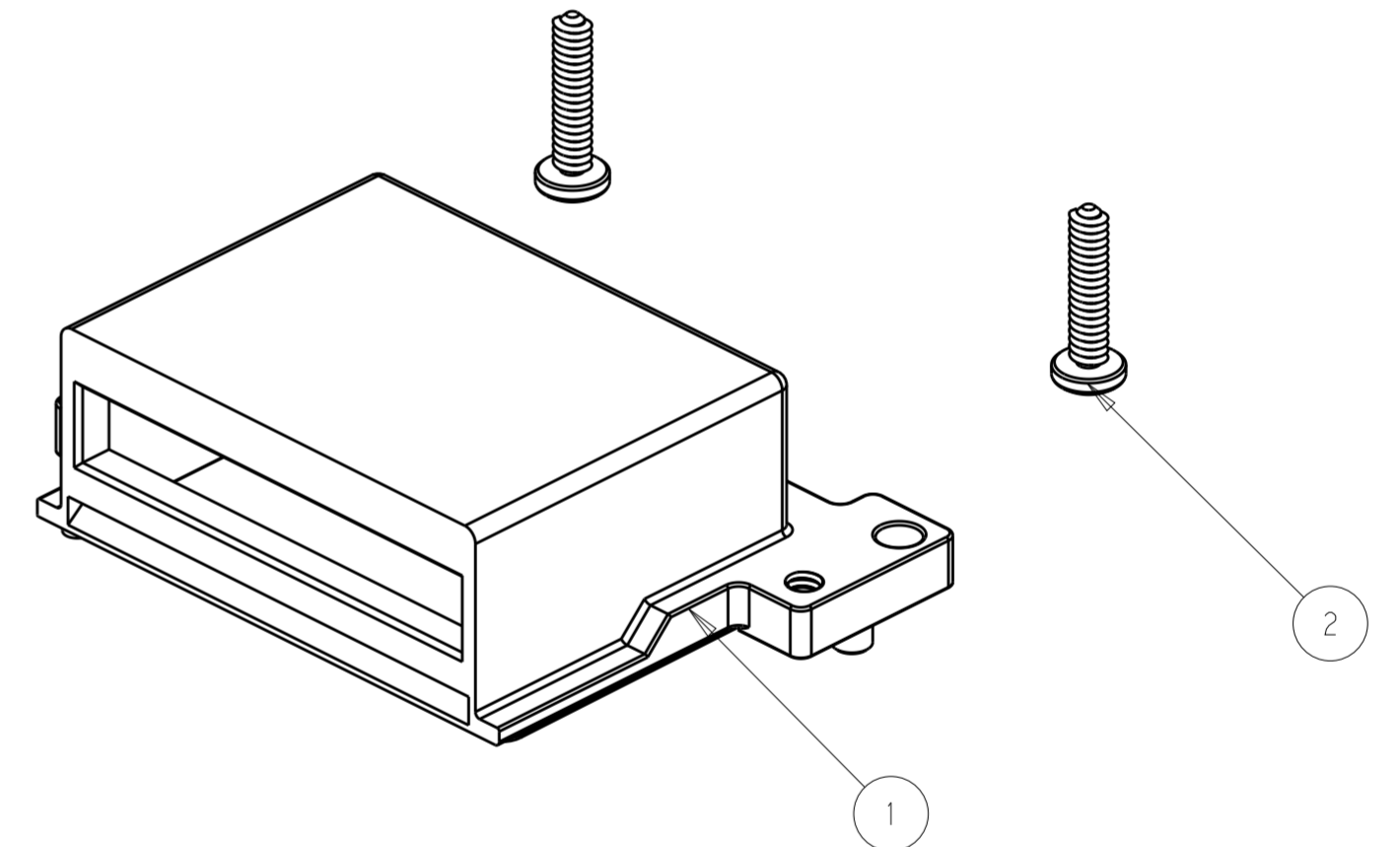
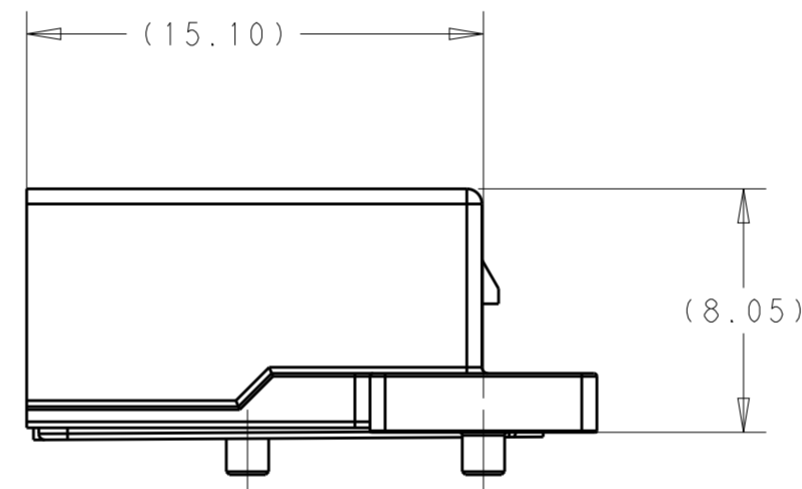
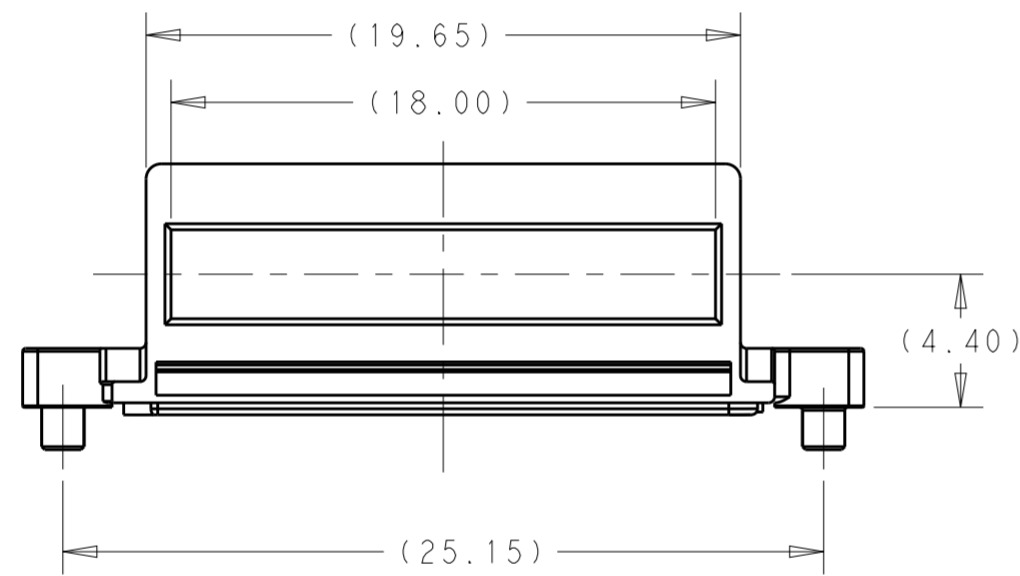


THIS DRAWING IS UNPUBLISHED. RELEASED FOR PUBLICATION 20
 © COPYRIGHT 20 BY - ALL RIGHTS RESERVED.

REVISIONS				
P	LTR	DESCRIPTION	DATE	APVD
1		PRELIMINARY DRAWING	24MAY2016	AD SH



- 1.MATERIAL:RECEPTACLE COVER:ZNIC ALLOY
GASKET: SILICON
SCREW:STAINLESS STEEL
- 2.PLATING: RECEPTACLE COVER:1.27um MIN. NICKEL OVER COPPER PLATING
- 3.MATES WITH MSA COMPLIANT TRANSCEIVERS.
- 4.PACKAGED AS SEPARATED KITS IN ONE BOX .



THIS PRINT IS
PRELIMINARY
 UNQUALIFIED PRODUCT
 CONTACT PRODUCT ENGINEERING
 BEFORE USING THIS PRINT

2	2292789-1	M1.4X6 SCREW	2
1	2288228-1	RECEPTACLE COVER WITH GASKET	1
-1	PART/MATERIAL	DESCRIPTION	ITEM

DIMENSIONS:		TOLERANCES UNLESS OTHERWISE SPECIFIED:		DWN		24MAY2016	
mm	0 PLC	±		ANDY_XIF	24MAY2016	SEAN_HAN	24MAY2016
	1 PLC	±0.25		SEAN_HAN	24MAY2016	SEAN_HAN	24MAY2016
	2 PLC	±0.15		APVD	24MAY2016	SEAN_HAN	24MAY2016
	3 PLC	±0.10		NAME		RECEPTACLE COVER WITH SCREW	
	4 PLC	±		PRODUCT SPEC		CFP4 1X1	
	ANGLES	±		APPLICATION SPEC			
	FINISH			WEIGHT			
MATERIAL	-	-		SIZE	A2	CAGE CODE	-
	-	-		DRAWING NO		RESTRICTED TO	
				SCALE	1:1	SHEET	1 OF 1
				CUSTOMER DRAWING		REV	1