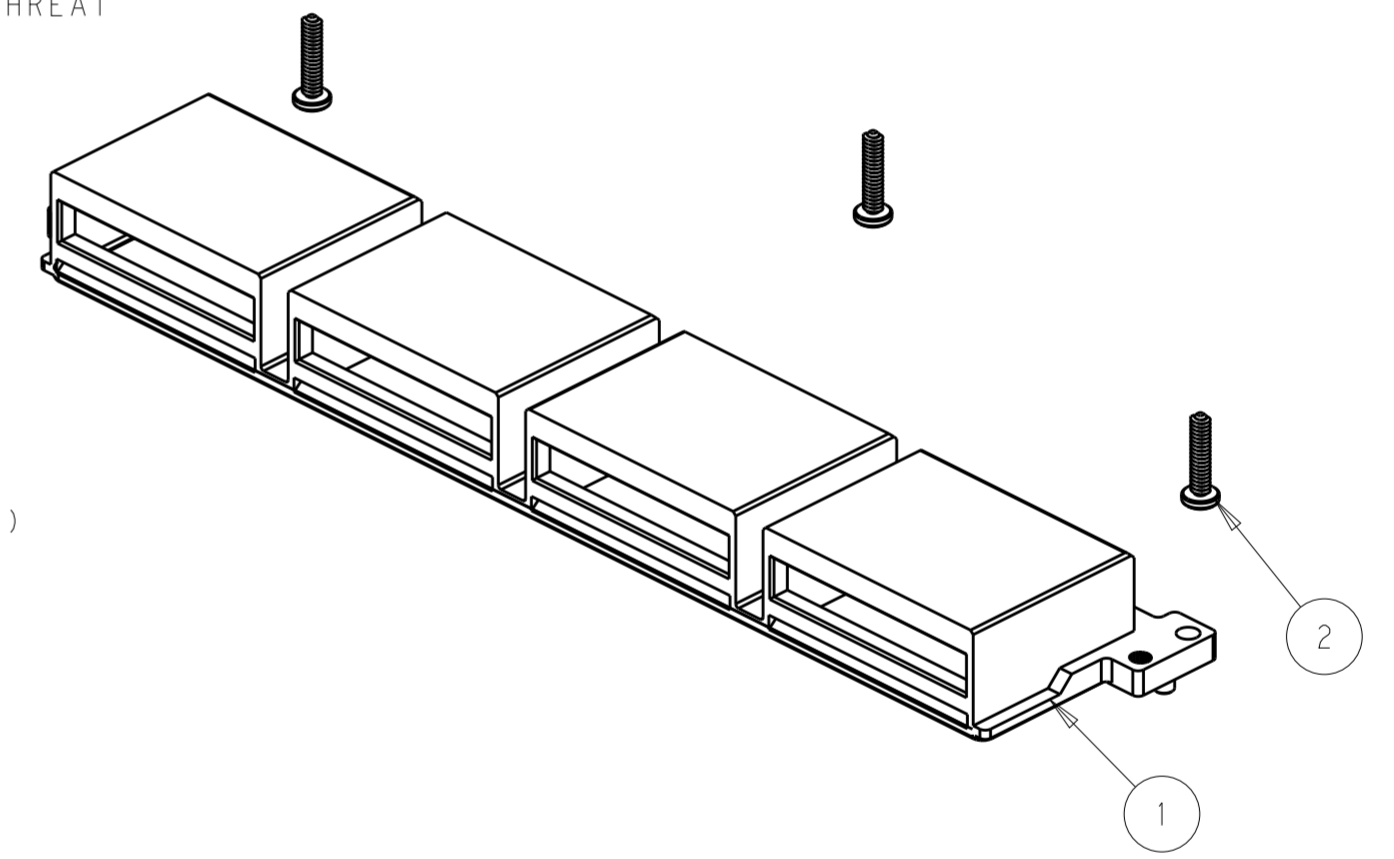
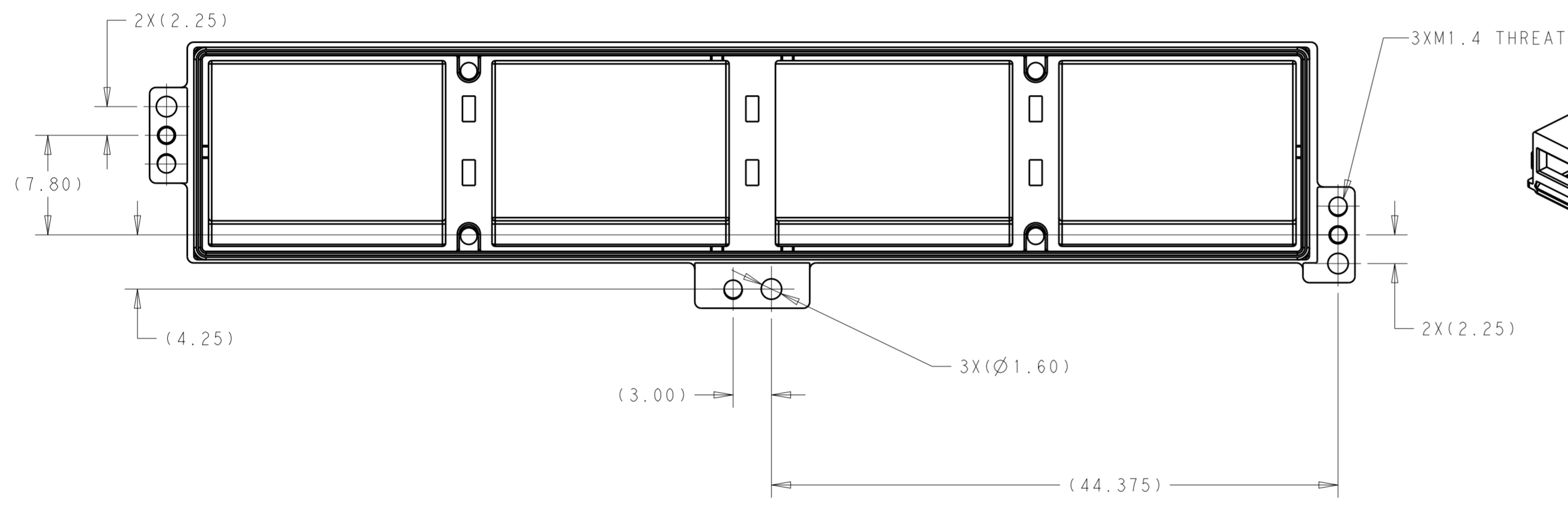
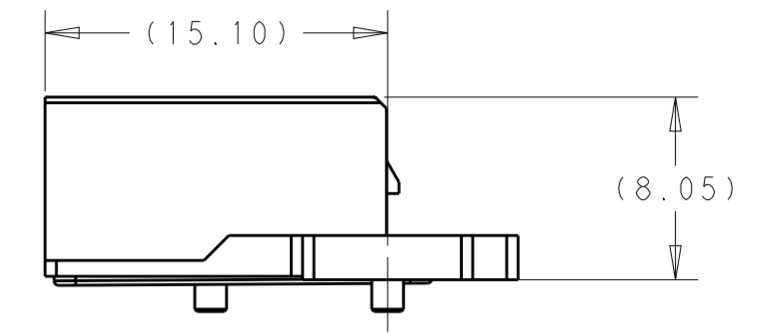
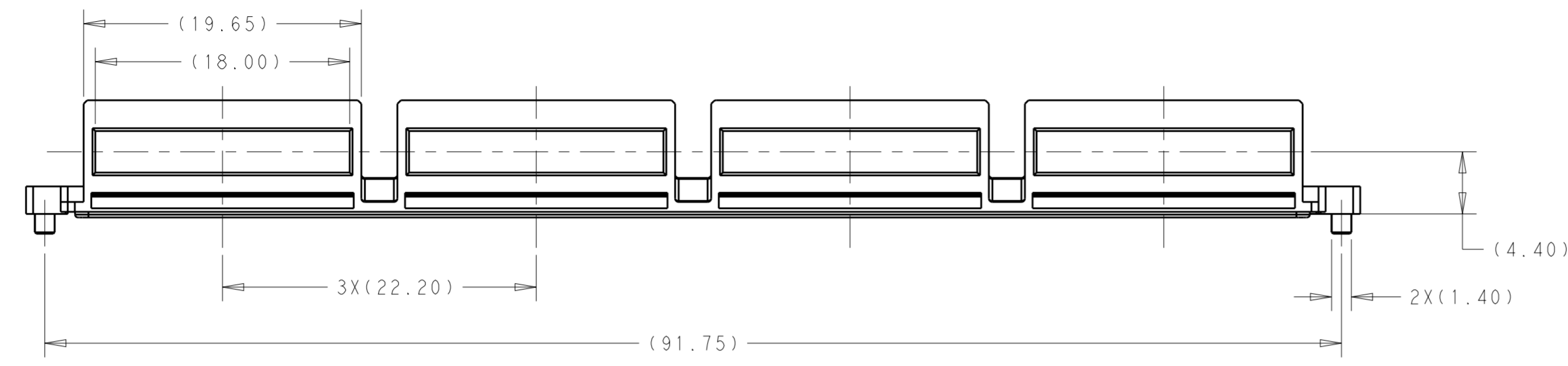


THIS DRAWING IS UNPUBLISHED. RELEASED FOR PUBLICATION 20
 © COPYRIGHT 20 BY - ALL RIGHTS RESERVED.

REVISIONS				
P	LTR	DESCRIPTION	DATE	APVD
1		PRELIMINARY DRAWING	25MAY2016	AD SH



- MATERIAL : RECEPTAL COVER-ZNIC ALLOY
 GASKET:SILICON
 SCREW:STAINLESS STEEL
- PLATING: RECEPTAL COVER-1.27µm MIN NICKEL OVER COPPER PLATING
- MATE WIHT MSA COMPLIANT TRANSCEIVER
- PACKAGE AS SEPARAOTR KITS IN ONE BOX

THIS PRINT IS
PRELIMINARY
 UNQUALIFIED PRODUCT
 CONTACT PRODUCT ENGINEERING
 BEFORE USING THIS PRINT

3	2292789-1	M1.4X6 SCREW	2
1	2289498-1	RECEPTAL COVER WIHT GASKET	1
-1	PART NUMBER	DESCRIPTION	ITEM

THIS DRAWING IS A CONTROLLED DOCUMENT.		DWN ANDY.XIF	25MAY2016	TE Connectivity PRELIMINARY
DIMENSIONS:		CHK SEAN.HAN	25MAY2016	
TOLERANCES UNLESS OTHERWISE SPECIFIED:		APVD SEAN.HAN	25MAY2016	
0 PLC ± 1 PLC ±0.25 2 PLC ±0.15 3 PLC ±0.10 4 PLC ± ANGLES ± FINISH ±		NAME RECEPTAL COVER WITH SCREW	PRODUCT SPEC CFP4 1X4	
MATERIAL	-	APPLICATION SPEC	-	SIZE A2
		WEIGHT	-	CAGE CODE -
		CUSTOMER DRAWING	-	DRAWING NO G-2304456
		SCALE	1:1	RESTRICTED TO -
		SHEET	1	OF
		REV	1	