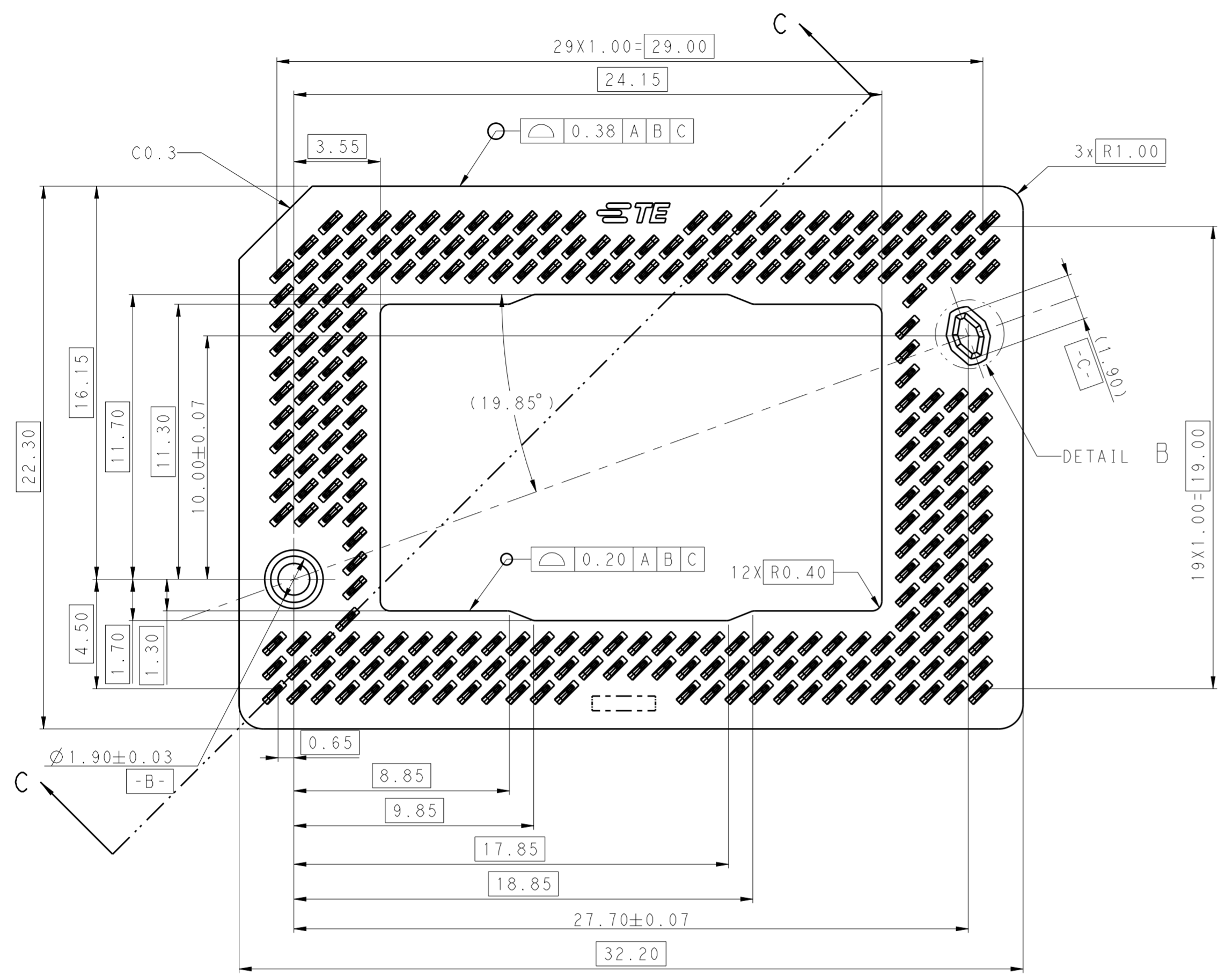


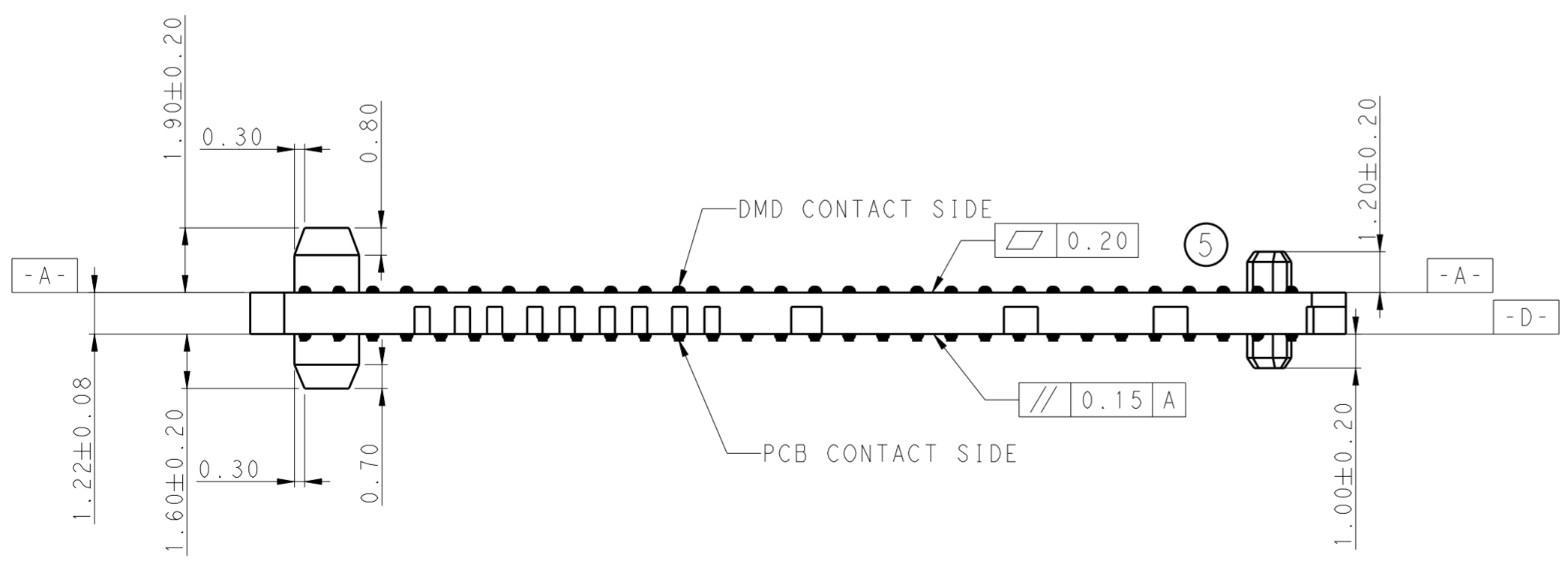
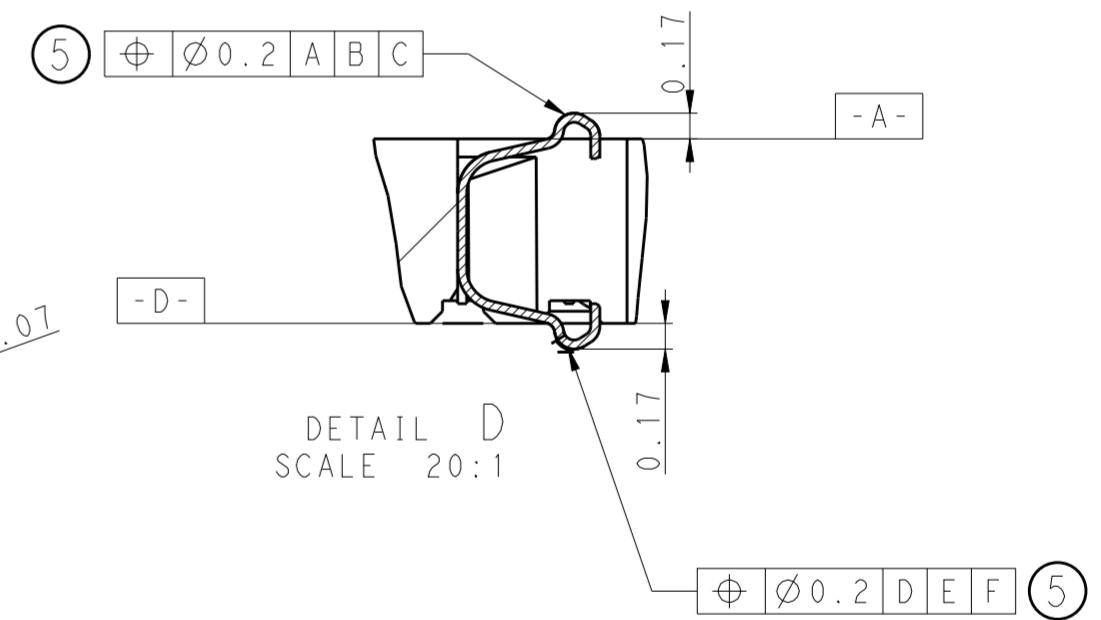
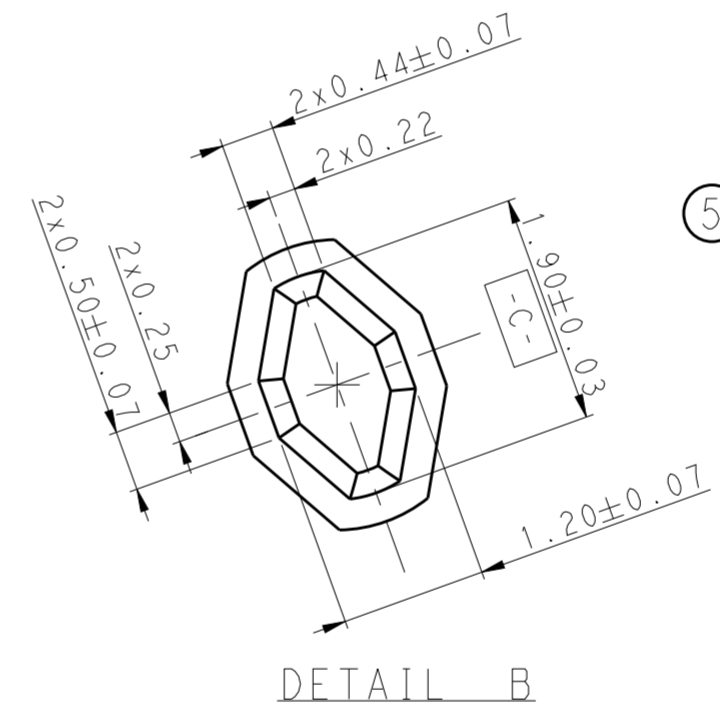
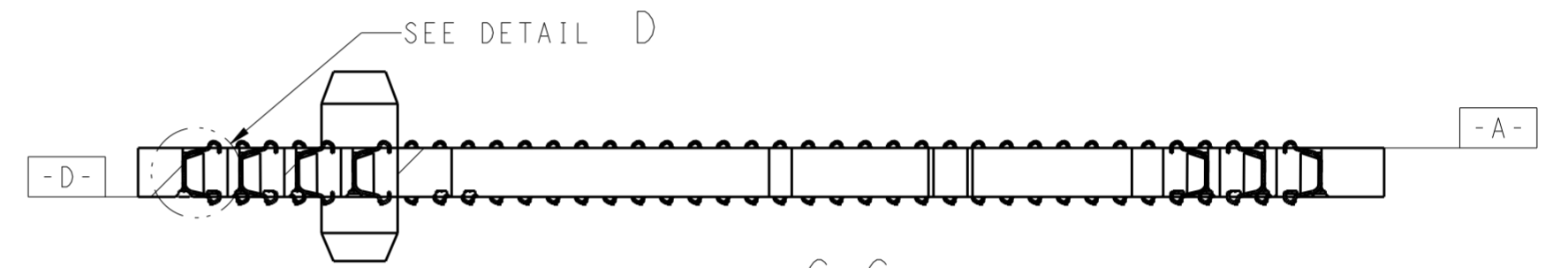
THIS DRAWING IS UNPUBLISHED. RELEASED FOR PUBLICATION 20
 © COPYRIGHT 20 BY - ALL RIGHTS RESERVED.

REVISIONS				
P	LTR	DESCRIPTION	DATE	APVD
2		CHANGE CONTACT ORIENTATION	10AUG2017	B.L S.L
3		CHANGE THE CONTACT DESIGN	15AUG2017	T.Z S.L
5		DIMENSION UPDATED	19JAN2018	T.Z S.L
A		DRAWING VERSION RELEASED	11JUL2018	T.Z B.L



DMD LGA CONTACT SIDE

- 1 MATERIAL
 1 HOUSING : HIGH TEMP, THERMO-PLASTIC, UL94V-0, BLACK
 2 CONTACT : COPPER ALLOY
- 2 FINISH
 CONTACT : 3u"Au PL. ON CONTACT AREA
 Ni UNDER PL. 50u" MIN.OVER ALL.
- 3. THICKNESS:1.219mm AFTER COMPRESSION.
- 4. DIMENSION SHALL BE INTERPRETED PER ASME Y14.5M-1994.
- 5. RECOMMENED CONNECTOR LOADING FORCE:10Kgf Min.

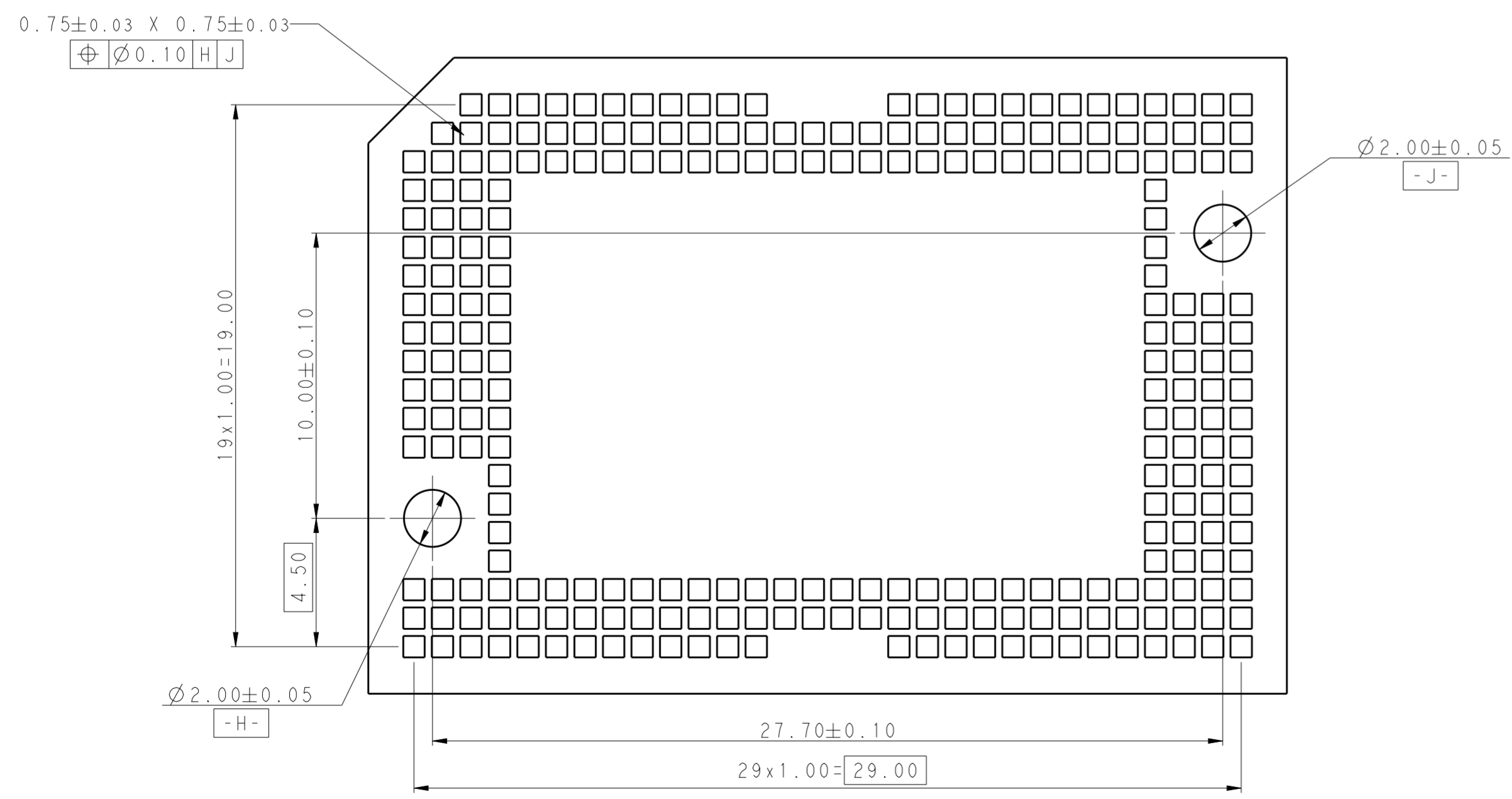
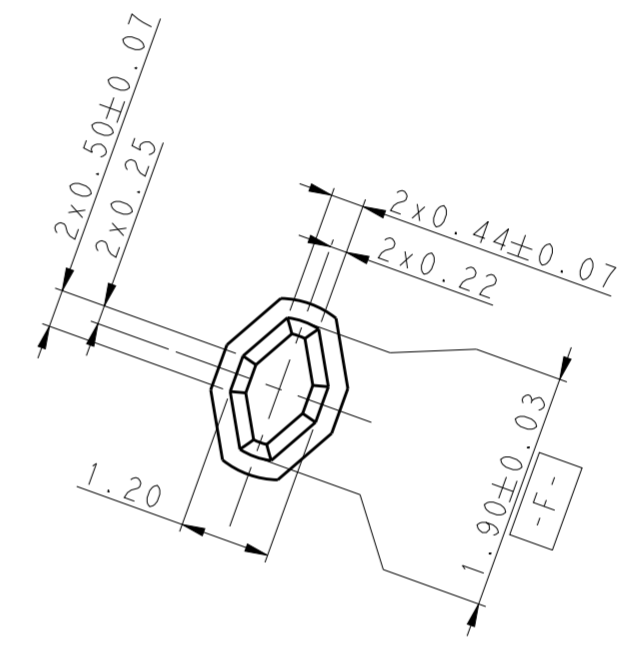
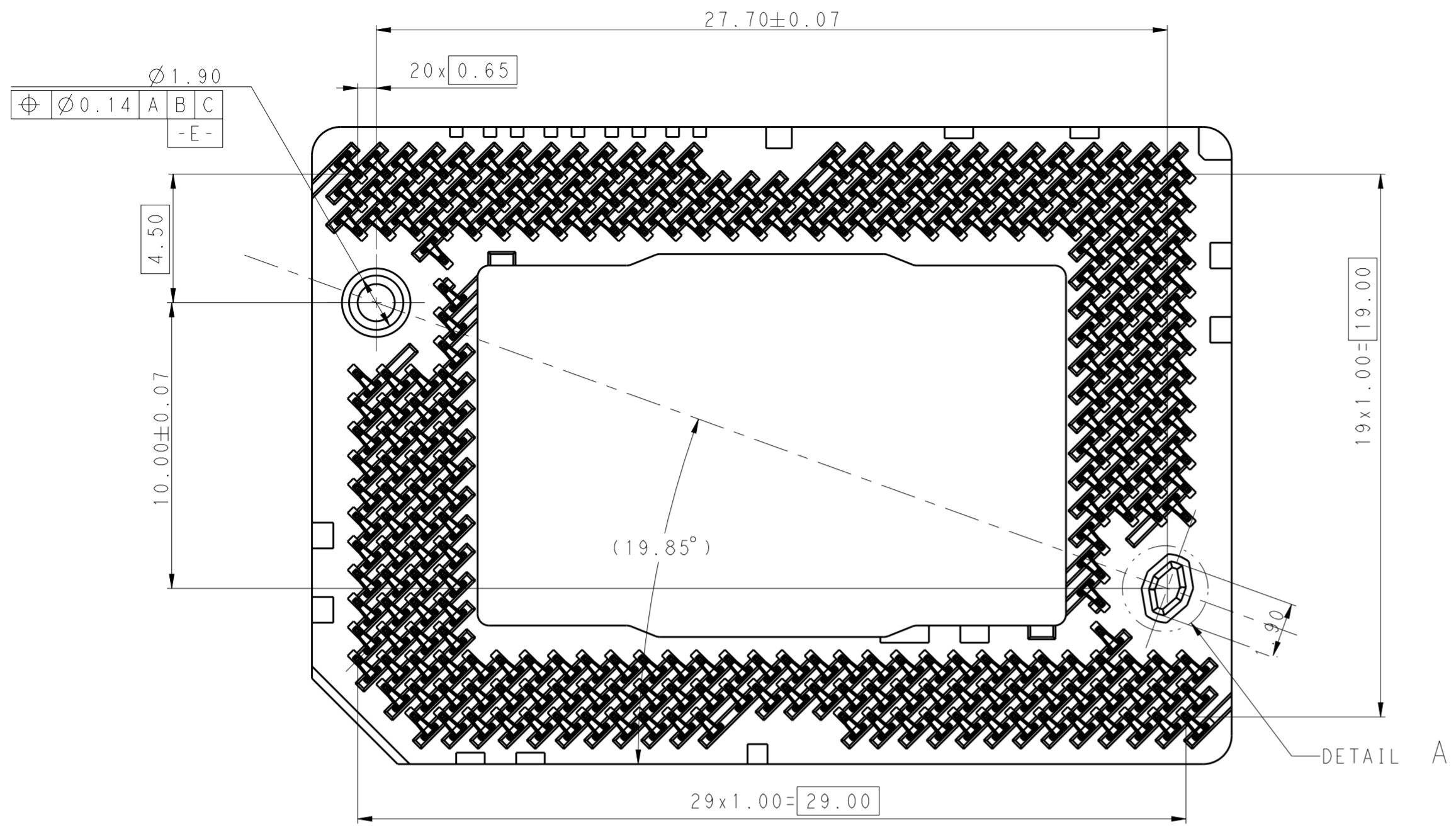



2319757-1: AS SHOWN

THIS DRAWING IS A CONTROLLED DOCUMENT.		DWN BILL LV 5May2017	TE Connectivity	
DIMENSIONS: mm		CHK COREL WANG 5May2017		
TOLERANCES UNLESS OTHERWISE SPECIFIED:		APVD COREL WANG 5May2017	NAME CUSTOMER DRAWING	
0 PLC ±		PRODUCT SPEC	DMD SOCKET	
1 PLC ±0.3		APPLICATION SPEC	257 POS	
2 PLC ±0.15		WEIGHT	SIZE A2	CAGE CODE
3 PLC ±0.05		CUSTOMER DRAWING	DRAWING NO C-2319757	
4 PLC ±		SCALE 3:1	SHEET 1 OF 3	
ANGLES ±3		REV A		
FINISH				

THIS DRAWING IS UNPUBLISHED. RELEASED FOR PUBLICATION 20
 © COPYRIGHT 20 BY - ALL RIGHTS RESERVED.

REVISIONS				
P	LTR	DESCRIPTION	DATE	APVD
-	-	SEE SHEET 1	-	-

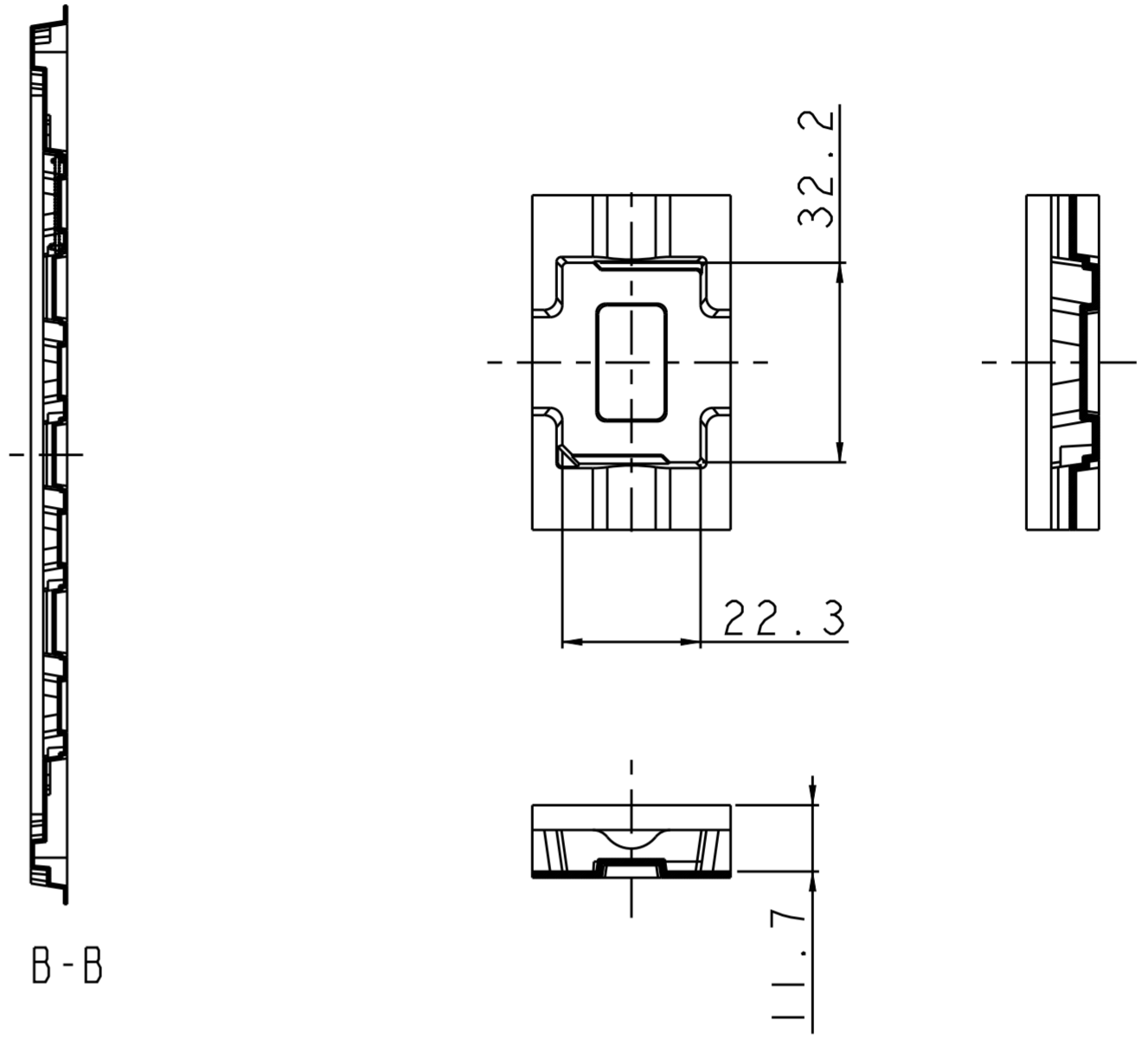
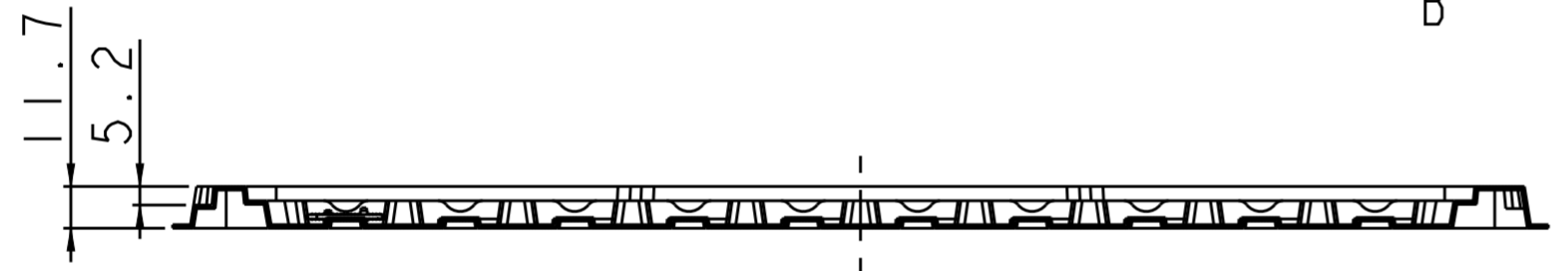
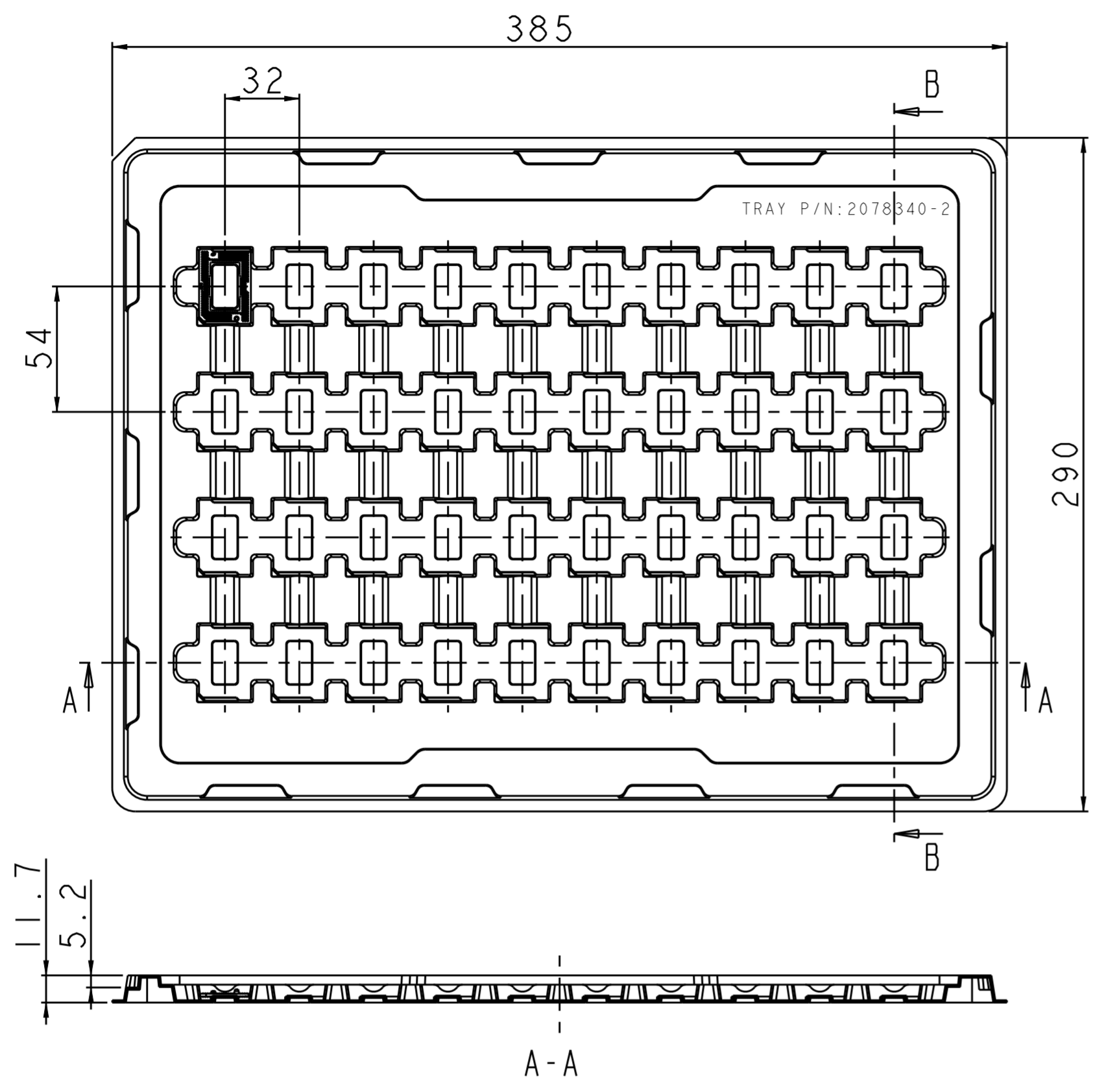


THIS DRAWING IS A CONTROLLED DOCUMENT.		DWN BILL LV 5May2017	 TE Connectivity	
DIMENSIONS: mm		CHK COREL WANG 5May2017		
TOLERANCES UNLESS OTHERWISE SPECIFIED:		APVD COREL WANG 5May2017	NAME CUSTOMER DRAWING DMD SOCKET 257 POS	
0 PLC ± 1 PLC ±0.3 2 PLC ±0.15 3 PLC ±0.05 4 PLC ± ANGLES ±3 FINISH		PRODUCT SPEC -	SIZE A2	
MATERIAL		APPLICATION SPEC -	CAGE CODE -	DRAWING NO. C-2319757
		WEIGHT -	RESTRICTED TO -	SCALE 3:1
		CUSTOMER DRAWING	SHEET 2 OF 3	REV A

THIS DRAWING IS UNPUBLISHED. RELEASED FOR PUBLICATION 20
 © COPYRIGHT 20 BY - ALL RIGHTS RESERVED.

REVISIONS		DATE	DWN	APVD
P	LTR	DESCRIPTION		
-		SEE SHEET 1	-	-

DEBIT INERNO...
 BROJTONIC...
 MUR...
 WWW.ABCCOMM.TE.COM



THIS DRAWING IS A CONTROLLED DOCUMENT.		DWN BILL LV 5May2017	TE Connectivity		
DIMENSIONS:		CHK COREL WANG 5May2017			
mm	TOLERANCES UNLESS OTHERWISE SPECIFIED:	APVD COREL WANG 5May2017	NAME CUSTOMER DRAWING DMD SOCKET 257 POS		
<ul style="list-style-type: none"> 0 PLC ± 1 PLC ±0.3 2 PLC ±0.15 3 PLC ±0.05 4 PLC ± ANGLES ±3 FINISH 		PRODUCT SPEC -	SIZE A2		
MATERIAL		APPLICATION SPEC -	CAGE CODE -	DRAWING NO G-2319757	RESTRICTED TO -
		WEIGHT -	SCALE 3:1 SHEET 3 OF 3 REV A		
CUSTOMER DRAWING					