

Distributed by:

JAMECO[®]
ELECTRONICS

www.Jameco.com ♦ 1-800-831-4242

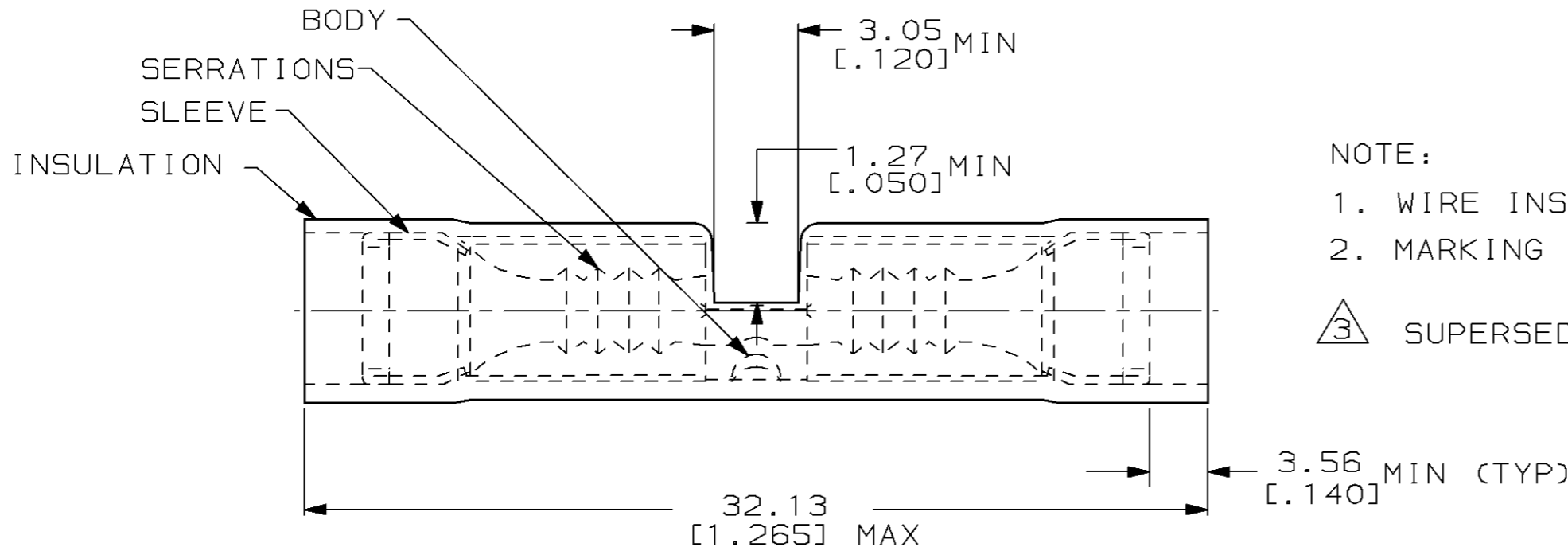
The content and copyrights of the attached
material are the property of its owner.

Jameco Part Number 907788

THIS DRAWING IS UNPUBLISHED. RELEASED FOR PUBLICATION, 19 .
 © COPYRIGHT 19 BY AMP INCORPORATED. ALL INTERNATIONAL RIGHTS RESERVED.

LOC	DIST	P	F	REVISIONS				
G	14			ZONE	LTR	DESCRIPTION	DATE	APPD
					U	PR98-0610-3223-002 & 0610-0009-99	22JAN99	WE SB

AMP WIRE RANGE	UL Listed FILE E13288	SR LR7189 Certified
22-16 AWG SOLID OR STRANDED	22-16 AWG SOLID OR STRANDED	22-16 AWG SOLID OR STRANDED



NOTE:
 1. WIRE INSULATION DIA 2.03 [.080] TO 3.18 [.125]
 2. MARKING 22-18 FOR MILITARY COMMERCIAL RANGE 22-16
 ⚠ SUPERSEDED BY 8-320559-2

-	4000	LOOSE PIECE, CTN	8-320559-6
-	100	LOOSE PIECE, BOX SPL	8-320559-5
-	5	LOOSE PIECE, BLS	8-320559-4 ⚠
-	50	LOOSE PIECE, BOX	8-320559-2
M7928/5-3 CLASS 2	2500	ON TAPE	2-320559-4
M7928/5-3 CLASS 1 & 2	50	LOOSE PIECE	320559
MILITARY PART NUMBER & CLASS PER MIL-T-7928	QTY	PACKAGE TYPE	PART NO

AMP INCORPORATED
CUSTOMER SERVICE SYSTEMS

FOR ADDITIONAL PRODUCT INFORMATION OR COPIES OF DRAWINGS AND TECHNICAL DOCUMENTS	PRODUCT INFORMATION CENTER 1-800-522-6752
FOR APPLICATION TOOLING INFORMATION	TOOLING ASSISTANCE CENTER 1-800-722-1111
FOR ORDER ENTRY	1-800-526-5142

MAX RECOMMENDED OPERATING TEMPERATURE:
 105°C

VOLTAGE RATING:
 600 V MAX
 1000V MAX (FIXTURE OR SIGN)

CIRCULAR MIL AREA:
 0.26-1.65 mm² [509-3, 260]
 SOLID OR STRANDED

DO NOT SCALE PRINT. UNLESS SPECIFIED DIMENSIONS IN mm [INCHES] TOLERANCES ON:
 2 PLC DEC ± 0.20 [.008]
 3 PLC DEC ± -
 ANGLES ± -

MATERIAL
 COPPER PER ASTM B-152
 NYLON, COLOR, RED

FINISH
 TIN PLATE PER ASTM B-545

AMP AMP Incorporated
 Harrisburg, PA 17105-3608

NAME
 SPLICE, BUTT, PIDG™,
 WIRE SIZE: 22-16 AWG

SIZE B	CAGE CODE 00779	DRAWING NO C-320559
SCALE NTS	SHEET 1 OF 1	