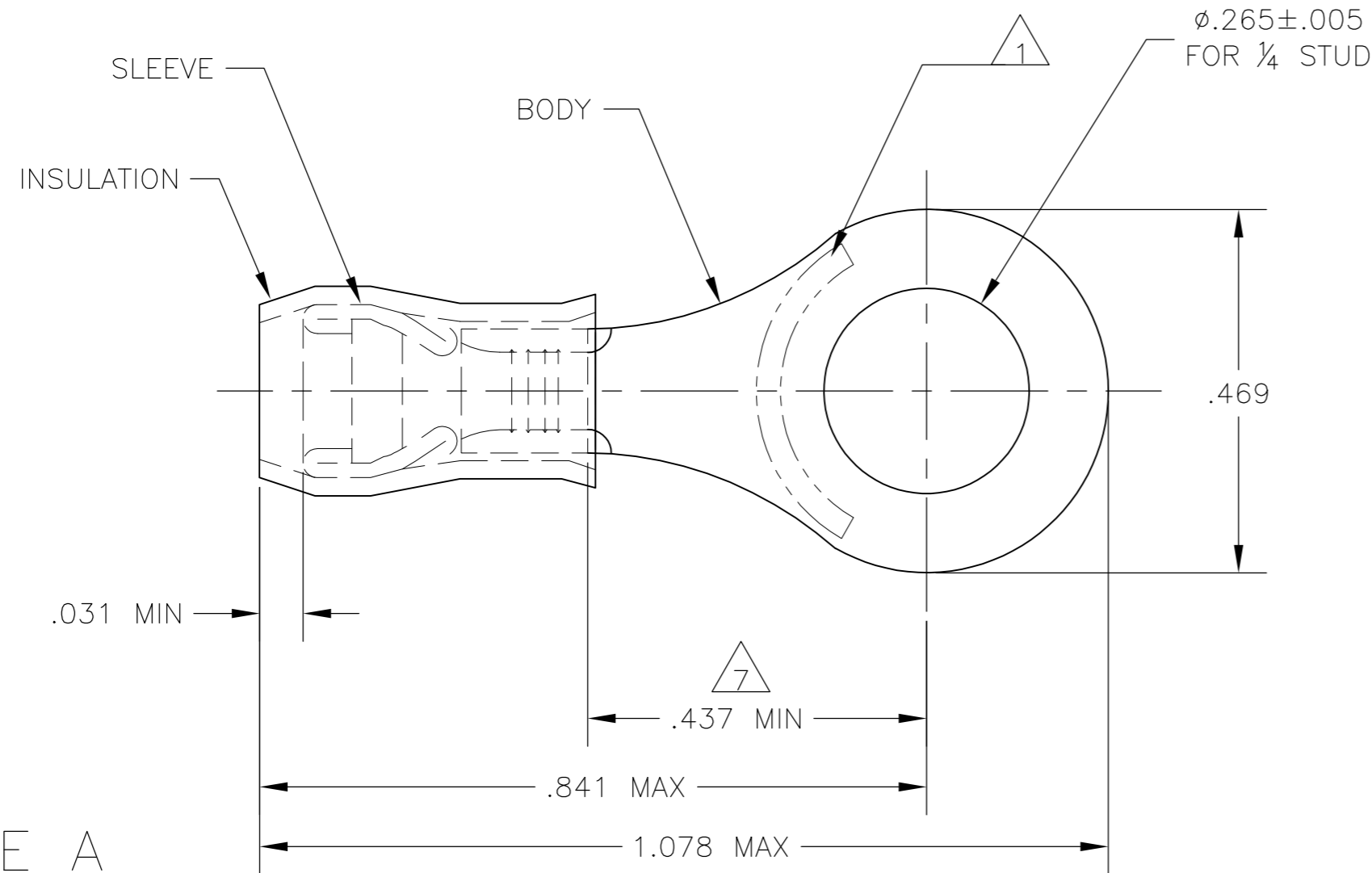


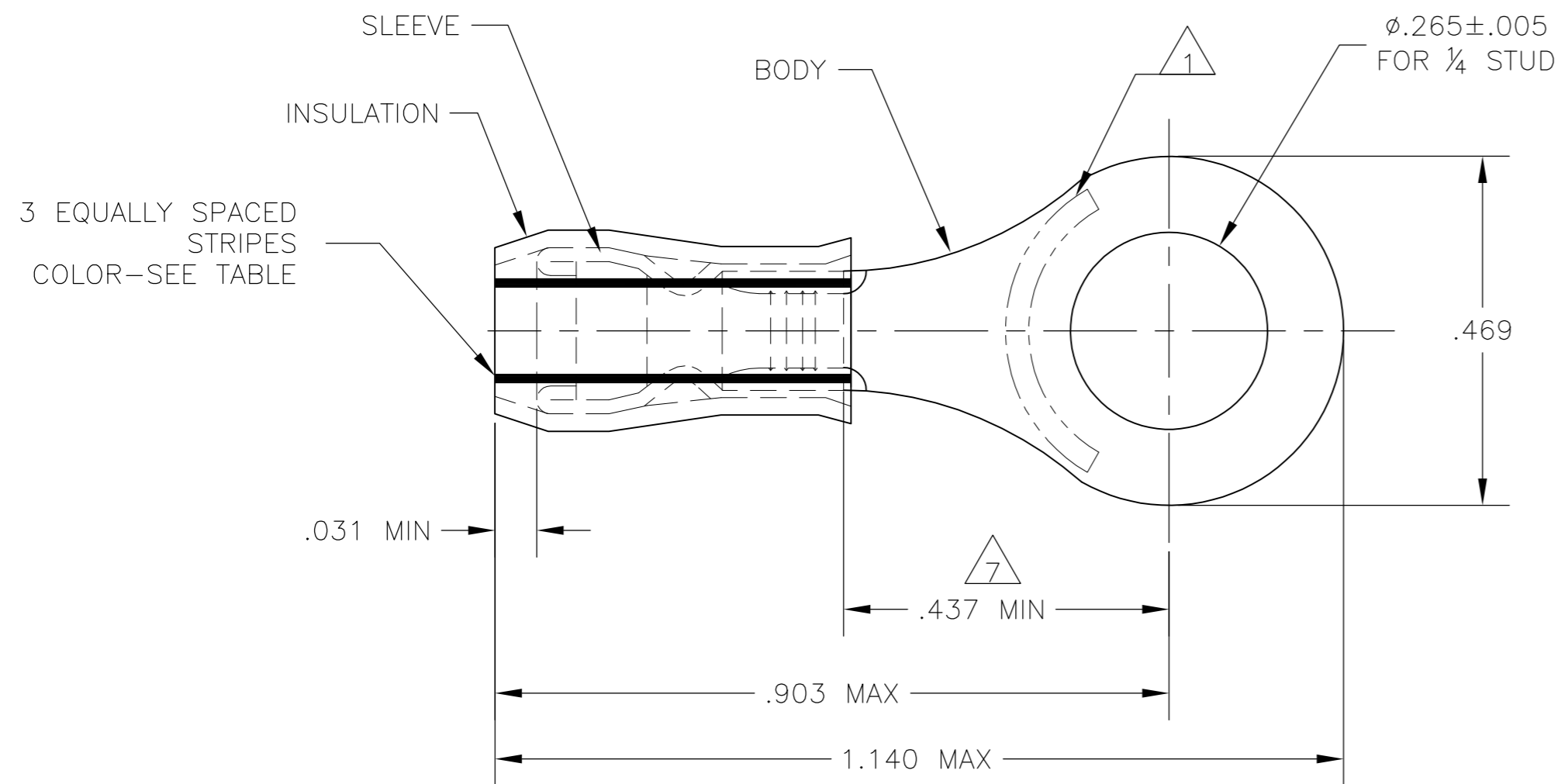
THIS DRAWING IS UNPUBLISHED. RELEASED FOR PUBLICATION
 © COPYRIGHT - By - ALL RIGHTS RESERVED.

LOC		DIST		REVISIONS			
P	LTR	DESCRIPTION		DATE	DWN	APVD	
G	14	P		REVISED PER ECO-14-015277	24FEB2015	NK	DR

AMP WIRE RANGE	UL E13288 Listed	SR LR7189 Certified
16-14 AWG SOLID OR STRANDED	16-14 AWG SOLID OR STRANDED	16-14 AWG SOLID OR STRANDED



STYLE A



STYLE B
INSULATION RESTRICTING

- 1 STAMP "AMP - SEE TABLE" APPROX AS SHOWN.
- 2 WIRE INSULATION DIA: SEE TABLE.
- 3 TONGUE MATERIAL THK: .031±.002.
- 4 BODY: TIN PLATE .000100 MIN EXT THK PER ASTM B545.
- 5 SLEEVE: TIN PLATE .000100 MIN EXT THK PER ASTM B545.
- 6 BODY & SLEEVE- CU PER ASTM B152 INSULATION - NYLON PER ASTM D4066 COLOR - BLUE.
- 7 APPLIES FROM EDGE OF METAL WIRE BARREL TO CENTER OF STUD HOLE.
- 8 MEETS MS25036-154, CLASS 1 & 2.
- 9 MEETS MS25036-154, CLASS 2.
- 10 MEETS M7928/1-43, CLASS 1 & 2.
- 11 MEETS M7928/1-52, CLASS 1 & 2.

QTY	PACKAGE TYPE	STAMPING	WIRE INSUL DIA	WIRE SIZE	STRIPE COLOR	STYLE	BODY FINISH	SLEEVE FINISH	PART NO
100	LOOSE PIECE, BOX	16-14	.105-.150	16-14	--	A			8-320563-1
500	LOOSE PIECE	14	.078-.130	14	GREEN	B	4	5	2-320563-4
500	LOOSE PIECE	16	.063-.130	16	BLUE	B	4	5	2-320563-3
500	320563 ON TAPE	16-14	.105-.150	16-14	--	A			2-320563-2
500	LOOSE PIECE	16-14	.105-.150	16-14	--	A			320563

CUSTOMER SERVICE SYSTEMS		MAX RECOMMENDED OPERATING TEMPERATURE: 105°C MAX		THIS DRAWING IS A CONTROLLED DOCUMENT.		DWN JR RUTH 13JAN10		TE TE Connectivity	
FOR ADDITIONAL PRODUCT INFORMATION OR COPIES OF DRAWINGS AND TECHNICAL DOCUMENTS		PRODUCT INFORMATION CENTER 1-800-522-6752		DIMENSIONS: INCHES		CHK T MICHELUTTI 13JAN10			
FOR APPLICATION TOOLING INFORMATION		TOOLING ASSISTANCE CENTER 1-800-722-1111		VOLTAGE RATING: 300 VOLT MAX		APVD T MICHELUTTI 13JAN10		NAME	
FOR ORDER ENTRY		1-800-526-5142		CIRCULAR MIL AREA: 1.02-2.62mm² [2,050-5,180] STRANDED OR SOLID		TOLERANCES UNLESS OTHERWISE SPECIFIED:		TERMINAL, RING TONGUE, PIDG WIRE SIZE: 16-14 AWG	
				MATERIAL		FINISH		SIZE CAGE CODE DRAWING NO RESTRICTED TO	
				6				A2 00779 C=320563	
								SCALE 5:1 SHEET 1 of 1 REV P	