

Distributed by:

JAMECO[®]
ELECTRONICS

www.Jameco.com ♦ 1-800-831-4242

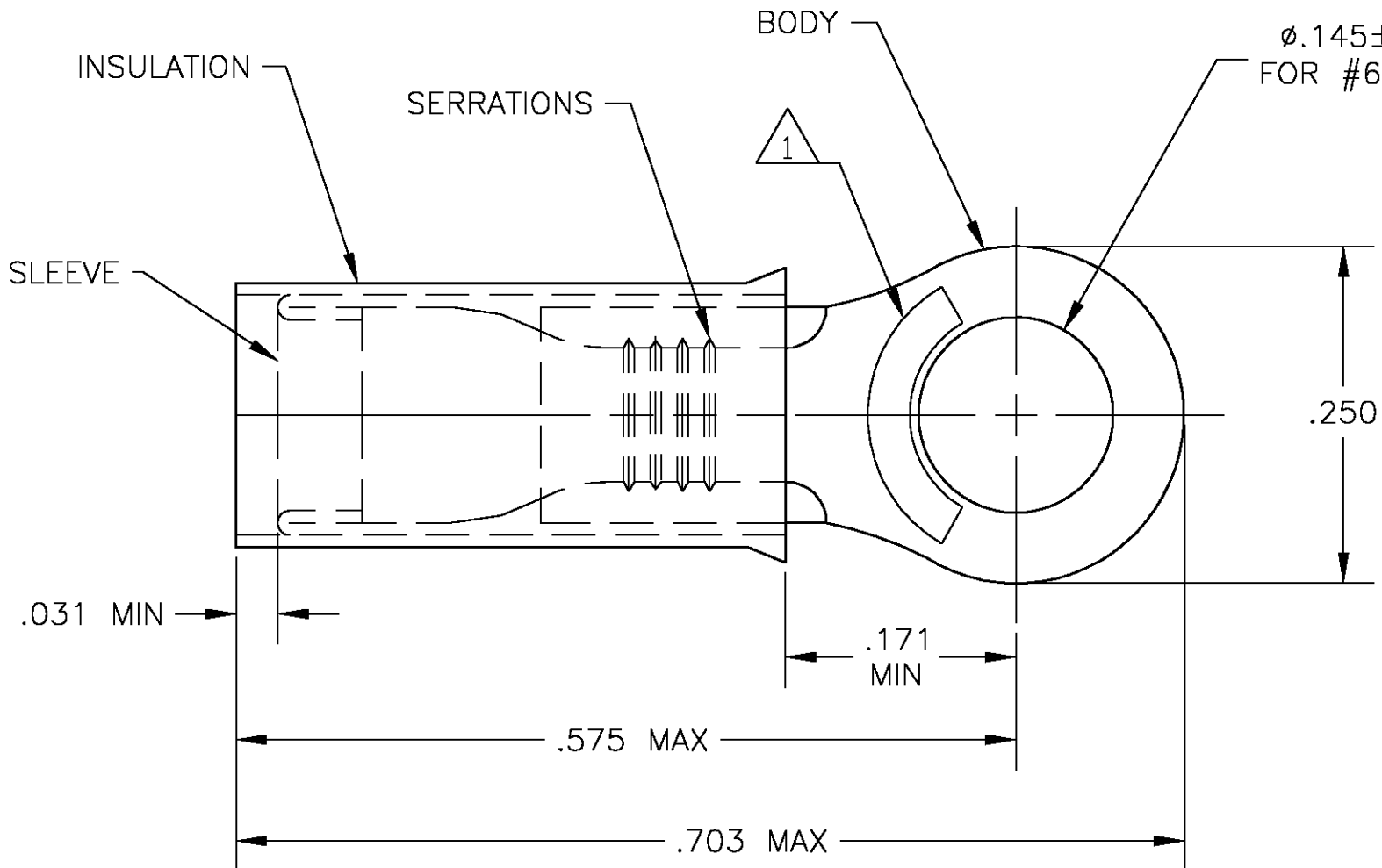
The content and copyrights of the attached
material are the property of its owner.

Jameco Part Number 836351

THIS DRAWING IS UNPUBLISHED. RELEASED FOR PUBLICATION
 © COPYRIGHT BY TYCO ELECTRONICS CORPORATION. ALL RIGHTS RESERVED.

LOC	DIST	REVISIONS			
P	LTR	DESCRIPTION	DATE	DWN	APVD
G	14	H	REV PER 0G3A-0509-03	19AUG03	JR TM

AMP WIRE RANGE	Listed	LR7189 Certified
16-14 AWG SOLID OR STRANDED	16-14 AWG SOLID OR STRANDED	16-14 AWG SOLID OR STRANDED



- 1 STAMP AMP 16-14*, APPROX AS SHOWN. STAMP MAY BE ON TOP OR BOTTOM.
- 2 TONGUE THICKNESS IS $.031 \pm .002$
- 3 FOR $.115-.170$ WIRE INSULATION DIA
- 4 MAX RECOMMENDED OPERATING TEMP IS 105°C .
- 5 300 VOLT MAX RATING.
- 6 WIRE CROSS SECTIONAL AREA RANGE $1.04-2.62\text{mm}$ [2,050-5,180 CIR MILS]

QTY	PACKAGING	MATERIAL / FINISH	PART NO
25	LOOSE PIECE, BLS	BODY & SLEEVE: COPPER PER ASTM B152 TIN PL. PER ASTM B-545	9-320619-4
5	LOOSE PIECE, BLS		8-320619-4
100	LOOSE PIECE, BOX	INSULATION: NYLON COLOR: BLUE	8-320619-1
5000	ON TAPE, REEL		2-320619-1
-	LOOSE PIECE		320619

THIS DRAWING IS A CONTROLLED DOCUMENT.		DWN jr_ruth 19AUG03	Tyco Electronics Corporation Harrisburg, PA 17105	
DIMENSIONS: INCHES		CHK T MICHIELUTTI 19AUG03	NAME	
TOLERANCES UNLESS OTHERWISE SPECIFIED:		APVD T MICHIELUTTI 19AUG03	WIRE TERMINAL PIDG, RING TONGUE WIRE SIZE: 16-14	
0 PLC ± -		PRODUCT SPEC	SIZE	
1 PLC ± -		UL486A	CAGE CODE	
2 PLC ± -		APPLICATION SPEC	DRAWING NO	
3 PLC ± .008		114-2157	RESTRICTED TO	
4 PLC ± -		WEIGHT -	A3 00779 C-320619	
ANGLES ± 1'		CUSTOMER DRAWING		
FINISH -		SCALE 8:1		SHEET 1 OF 1
				REV H