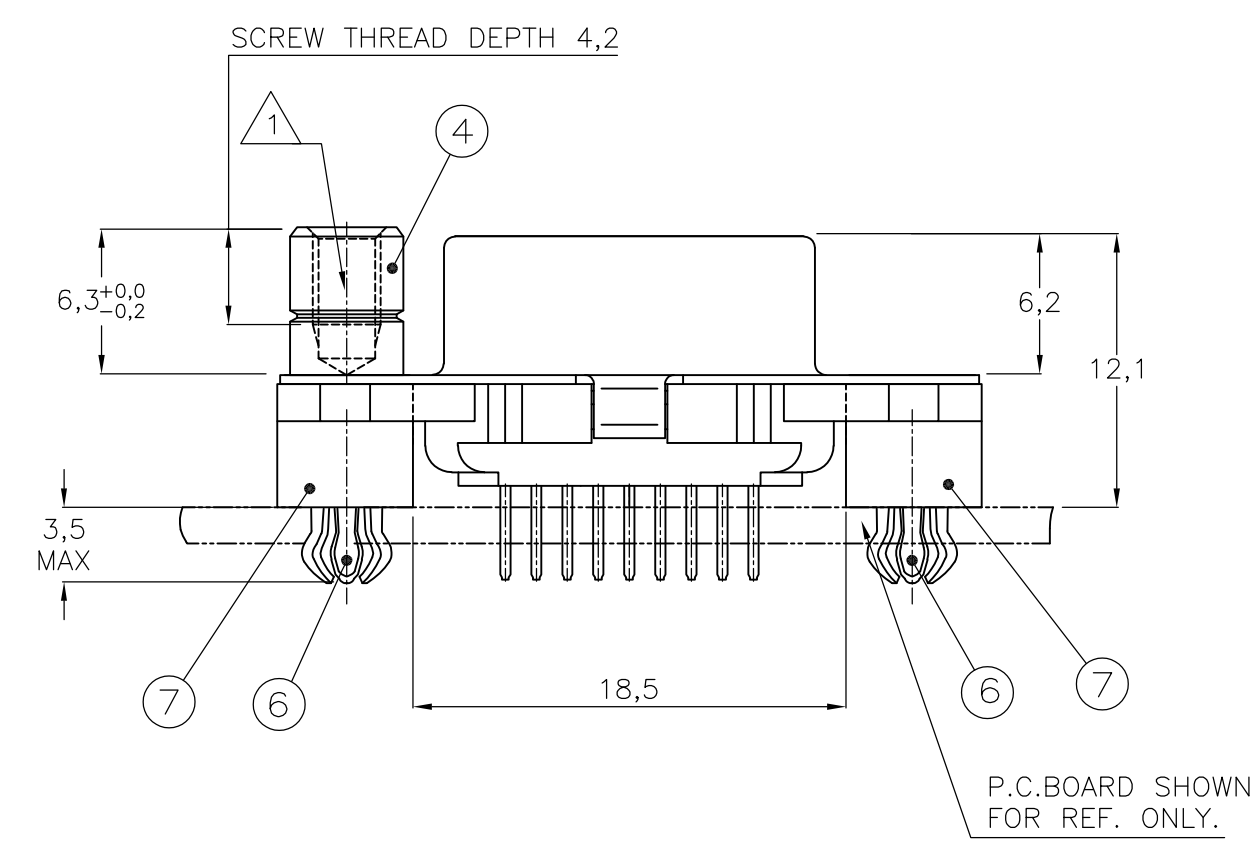
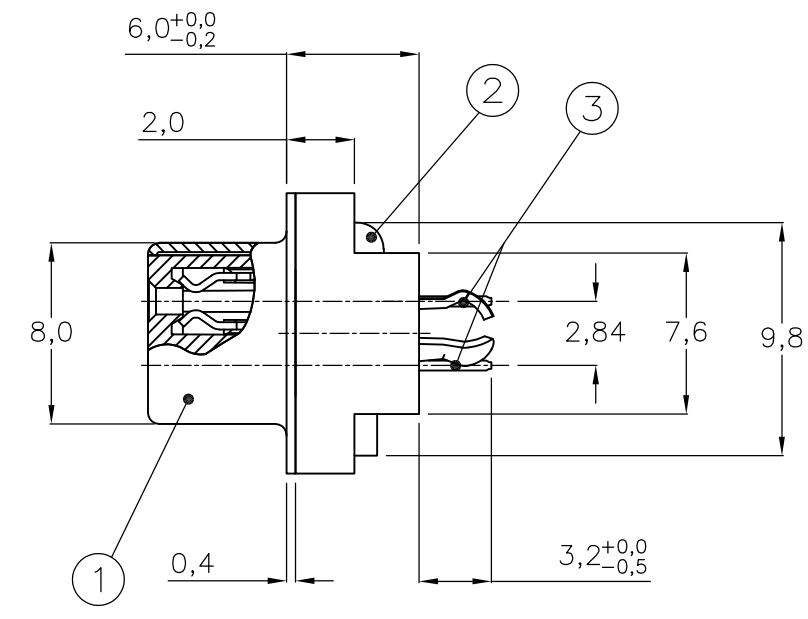
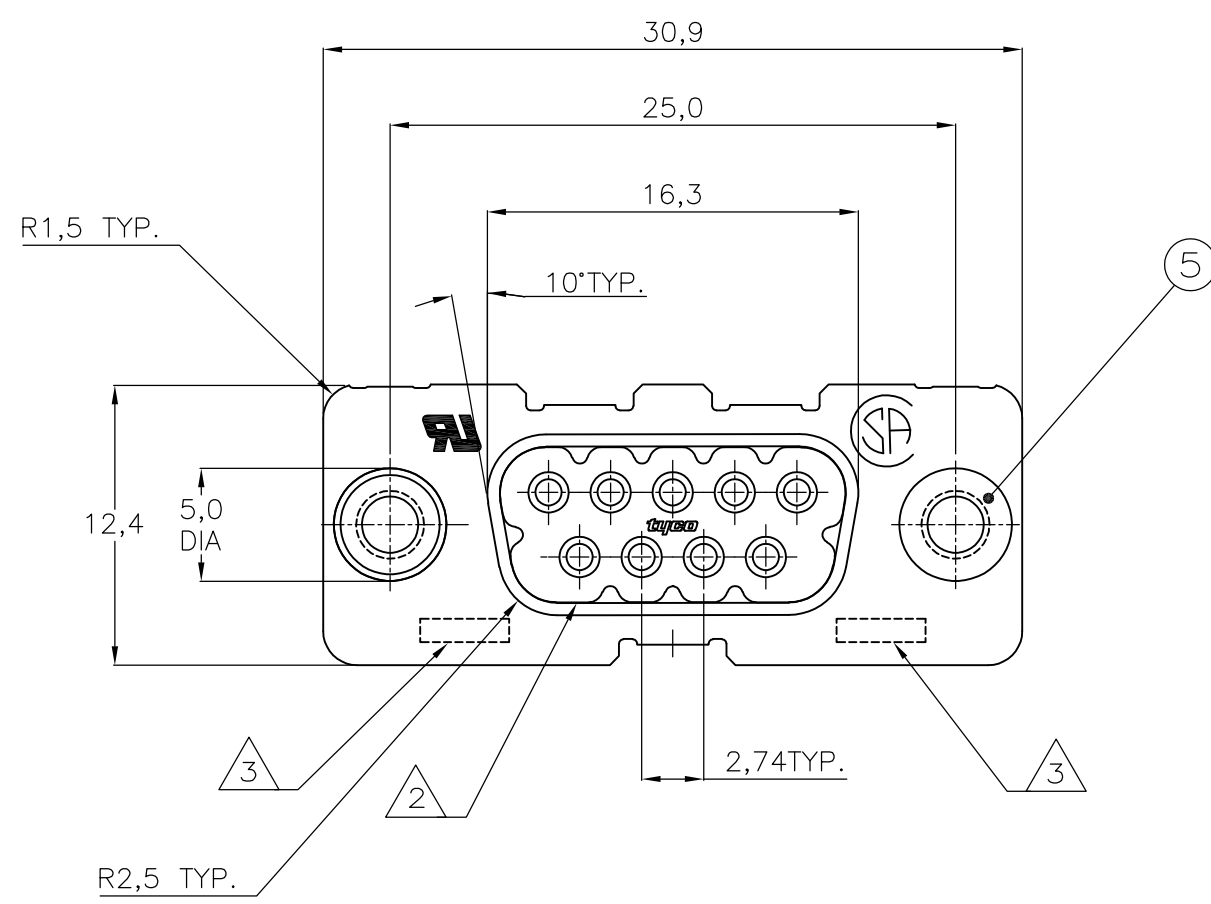


THIS DRAWING IS UNPUBLISHED. RELEASED FOR PUBLICATION
 © COPYRIGHT BY TYCO ELECTRONICS CORPORATION. ALL RIGHTS RESERVED.

LOC	DIST	REVISIONS					
		P	LTR	DESCRIPTION	DATE	DWN	APVD
H	-		E	ECR-06-011911	22-05-06	BSV	DC
			F	ECR-06-029370	21-03-07	BSV	MK
			F1	ECR-08-018358	28-07-08	AEG	KMA



ACCESSORIES PREFIX "Z"	ITEM NRS.	DESCRIPTION OF ACCESSORY	1	2	3	4	5	6	7	8	9
5	BUSHING WITH THROUGHHOLE 3,1 DIA.										
5	BUSHING WITH THREAD 4-40 UNC										
5	BUSHING WITH THREAD M3										
4	FEMALE SCREWLOCK WITH THREAD 4-40 UNC										
4	FEMALE SCREWLOCK WITH THREAD M3										
6	BOARDLOCK										

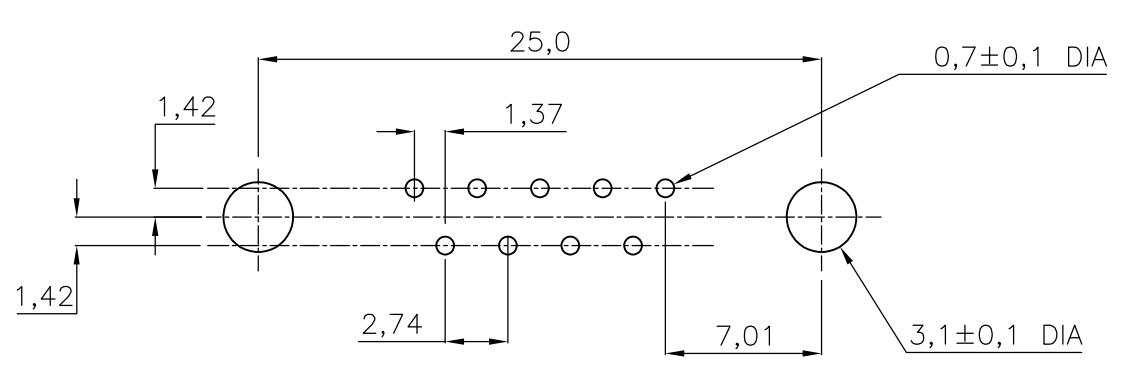
HOW TO ORDER:
 9 POS. -----> Z-338313-Y
 PREFIX FOR ACCESSORIES }
 BASIC PARTNR. }
 SUFFIX FOR PLATING }

PLATING SUFFIX "Y"
 GOLD OVER NICKEL AS PER PERFORMANCE LEVEL 2 (DIN 41652)
 SOLDER-PART : TIN-PLATING 3µm } -Y = -2

- ① GROOVE INDICATES VERSION WITH 4-40 UNC INNER THREAD; WITHOUT GROOVE INDICATES VERSION WITH M3 INNER THREAD.
- ② CAVITY IDENTIFICATION AT FRONT SIDE ONLY.
- ③ PARTNUMBER AND DATE CODE.
- 4. WHEN BOARDLOCKS ARE USED, CONNECTOR CAN BE USED FOR PCB THICKNESS OF 1,6 mm ONLY.
- 5. AIR AND CREEPAGE DISTANCES ACCORDING TO DIN 41652

- ITEM NRS./MATERIAL :
- ① SHELL = BRIGHT TINPLATED STEEL
 - ② HOUSING = GLASSFILLED POLYESTER, COLOR : BLACK
 - ③ CONTACTS = PHOSPHORBRONZE (PLATING : SEE TABLE ABOVE)
 - ④ FEMALE SCREWLOCK = TINPLATED STEEL (INNER THREAD 4-40 UNC OR M3)
 - ⑤ BUSHING = TINPLATED STEEL (INNER THREAD 4-40 UNC OR M3 OR 3,1 DIA. THROUGHHOLE)
 - ⑥ BOARDLOCK = TINPLATED PHOSPHORBRONZE
 - ⑦ STAND OFF = ULTRAMID V0 COLOR : BLACK

RECOMMENDED P.C. BOARD HOLE-LAYOUT



THIS DRAWING IS A CONTROLLED DOCUMENT.		DWN J.V.LIEMPT 01JUL97	Tyco Electronics Corporation s-HertogenBosch, Nederland,	
DIMENSIONS: MM		CHK C.SOUISA 09SEP97	NAME	
TOLERANCES UNLESS OTHERWISE SPECIFIED:		APVD E.LEIJTENS 09SEP97	HD-20 SIZE 1 VERTICAL+ RECEPTACLE HEADER; WITH SOLDER CONTACTS	
0 PLC ± -		PRODUCT SPEC	SIZE A2	CAGE CODE 00779
1 PLC ± -		APPLICATION SPEC	DRAWING NO C-338313	RESTRICTED TO
2 PLC ± -		WEIGHT -	SCALE NTS	SHEET 1 OF 1
3 PLC ± -		CUSTOMER DRAWING	REV F1	
4 PLC ± -				
ANGLES ± -				
FINISH -				