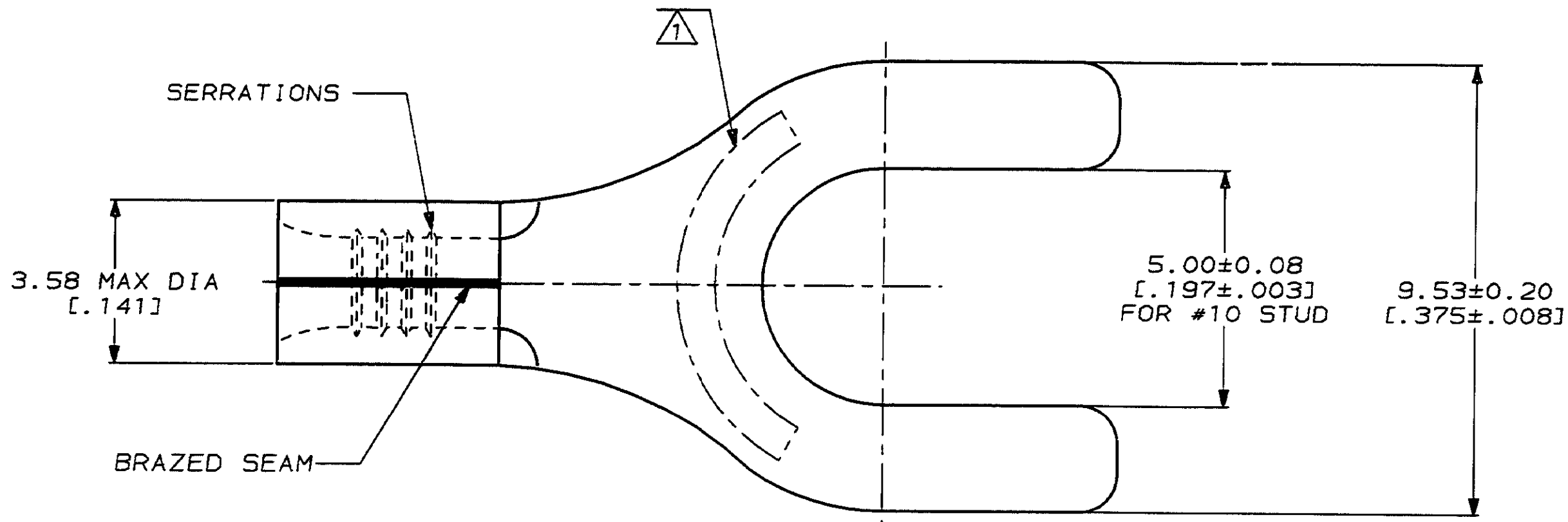


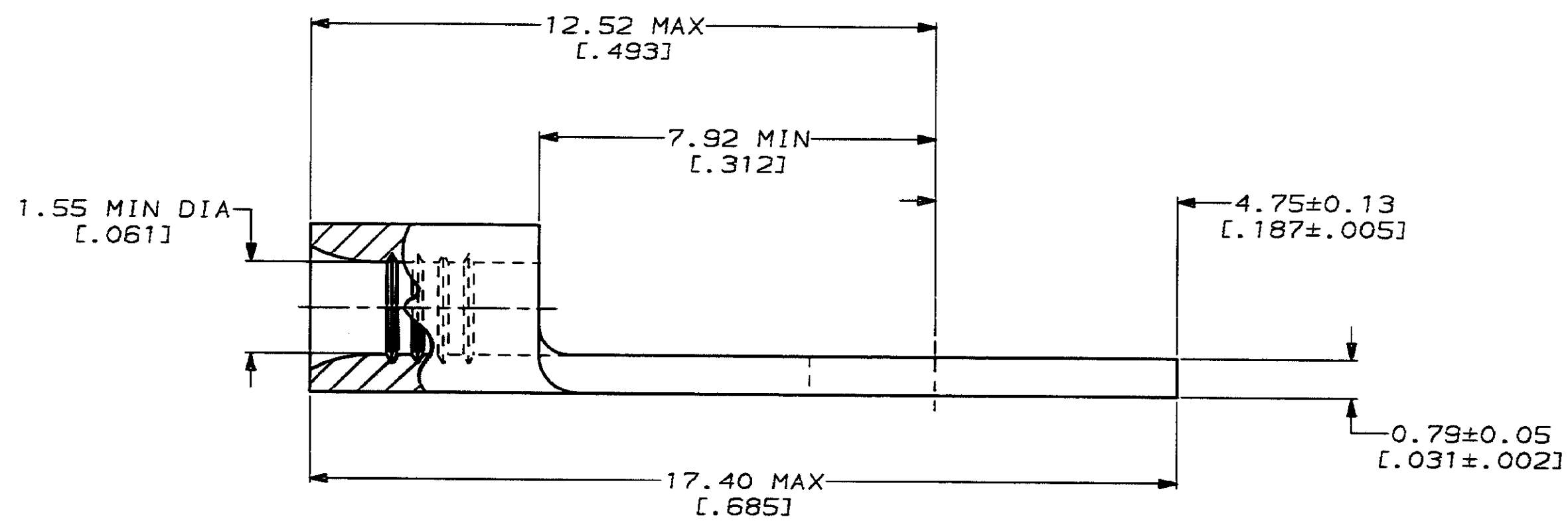
LOC	DIST	P	F	ZONE	LTR	DESCRIPTION	DATE	APPD
G	14				F	REV, RDRW, & SM PKG PER 0720-0040-93	3-26-93	1 ST DAP

METRIC
 DIMENSIONS LISTED IN mm [INCHES]



AMP WIRE RANGE	E13288 Listed
22-16 AWG SOLID OR STRANDED	22-16 AWG SOLID OR STRANDED
LR7189 Certified	MILITARY P/N AND CLASS
22-16 AWG SOLID OR STRANDED	NOT APPLICABLE

⚠ STAMP AMP 22-18* APPROX AS SHOWN
 22-16 TERMINALS ARE STAMPED 22-18 IN
 ACCORDANCE WITH MILITARY SPECIFICATION
 MIL-T-7928; COMMERCIAL WIRE RANGE IS 22-16



QUANTITY	PACKAGING TYPE	PART NO
100	LOOSE PIECE, BOX SPECIAL (NO WINDOW)	8-34118-5
5000	ON TAPE	2-34118-2
---	LOOSE PIECE	34118

AMP INCORPORATED
CUSTOMER SERVICE SYSTEMS

FOR ADDITIONAL PRODUCT INFORMATION OR COPIES OF DRAWINGS AND TECHNICAL DOCUMENTS	PRODUCT INFORMATION CENTER 1-800-522-6752
FOR APPLICATION TOOLING INFORMATION	TOOLING ASSISTANCE CENTER 1-800-722-1111
FOR ORDER ENTRY	1-800-526-5142

MAX RECOMMENDED OPERATING
TEMPERATURE:
170°C MAX

VOLTAGE RATING:
NOT APPLICABLE

WIRE CROSS SECTIONAL AREA RANGE:
0.26-1.65mm² [509-3,260] CIR MILS
SOLID OR STRANDED

THIS DRAWING IS A CONTROLLED DOCUMENT FOR
AMP INCORPORATED. IT IS SUBJECT TO CHANGE
AND THE CONTROLLING ENGINEERING ORGANIZATION
SHOULD BE CONTACTED FOR THE LATEST REVISION.

DO NOT SCALE PRINT.
UNLESS SPECIFIED
DIMENSIONS IN mm [INCHES]
TOLERANCES ON:
2 PLC DEC ± -
3 PLC DEC ± -
ANGLES ± -

MATERIAL
COPPER PER
ASTM B-152
ANNEALED

FINISH
TIN PLATE
0.00254 [.000100] MIN
THK PER MIL-T-10727

DR 3-26-93
TA BRINKMAN
CHK 3-26-93
DA PATTERSON
APPD 3-26-93
DE MILLER
APPD 3-26-93
JL MECKLEY
PRODUCT SPEC
-
APPLICATION SPEC
-
WEIGHT -

AMP Incorporated Harrisburg, PA 17105-3608		
NAME TERMINAL, SPADE TONGUE, SOLISTRAND™		
SIZE C	CAGE CODE 00779	DRAWING NO C-34118
SCALE 10:1	SHEET 1 OF 1	