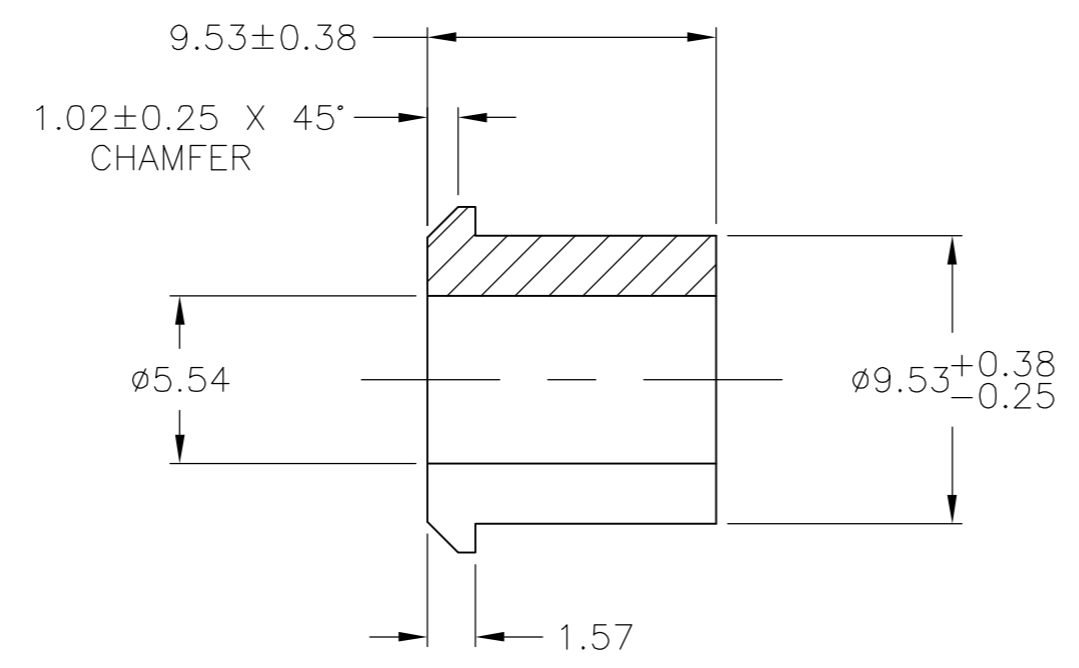
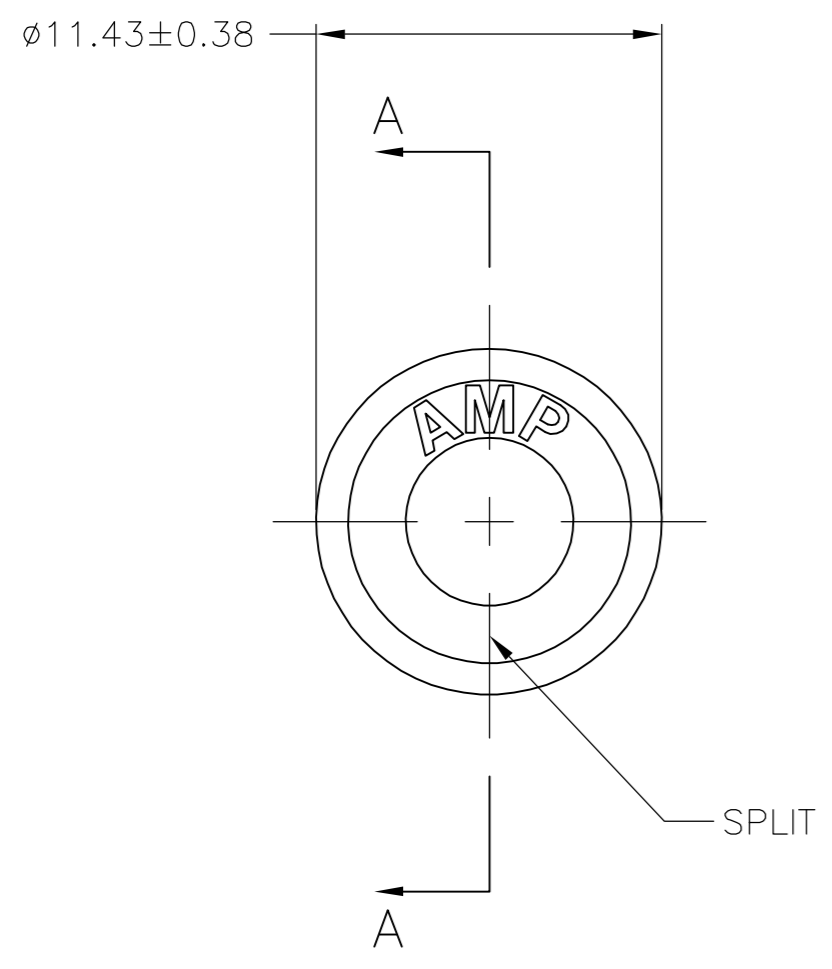


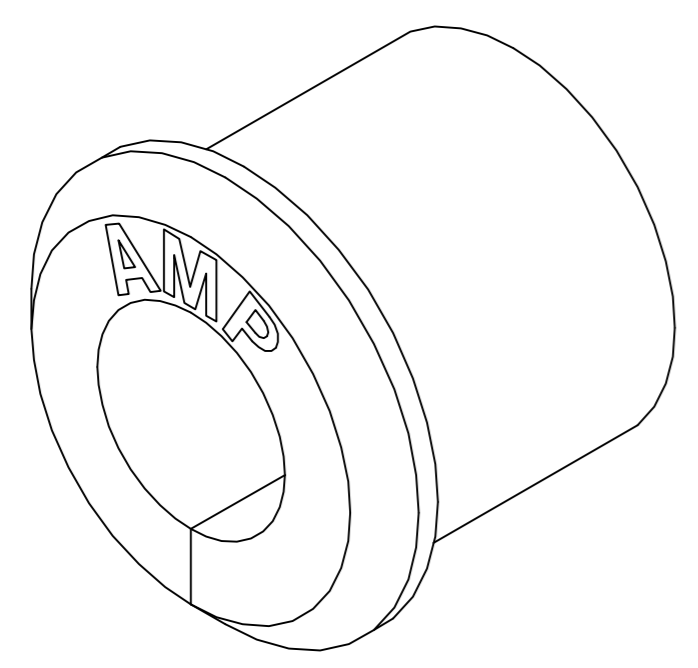
THIS DRAWING IS UNPUBLISHED. RELEASED FOR PUBLICATION  
 © COPYRIGHT BY TYCO ELECTRONICS CORPORATION. ALL RIGHTS RESERVED.

| LOC |  | DIST |  | REVISIONS |     |               |         |     |      |
|-----|--|------|--|-----------|-----|---------------|---------|-----|------|
| CM  |  | 0    |  | P         | LTR | DESCRIPTION   | DATE    | DWN | APVD |
|     |  |      |  | G         |     | ECO-06-012706 | 08JUN06 | BSV | JR   |

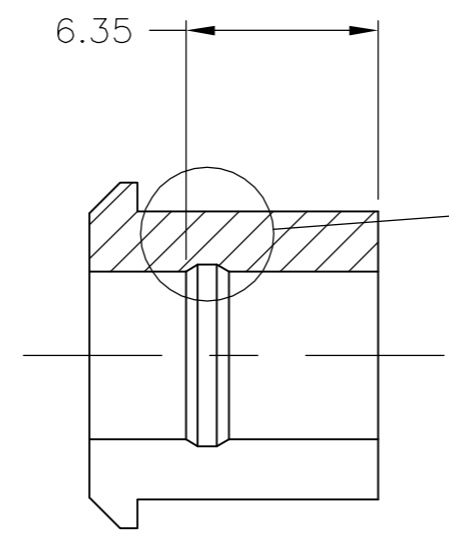


SECTION A-A

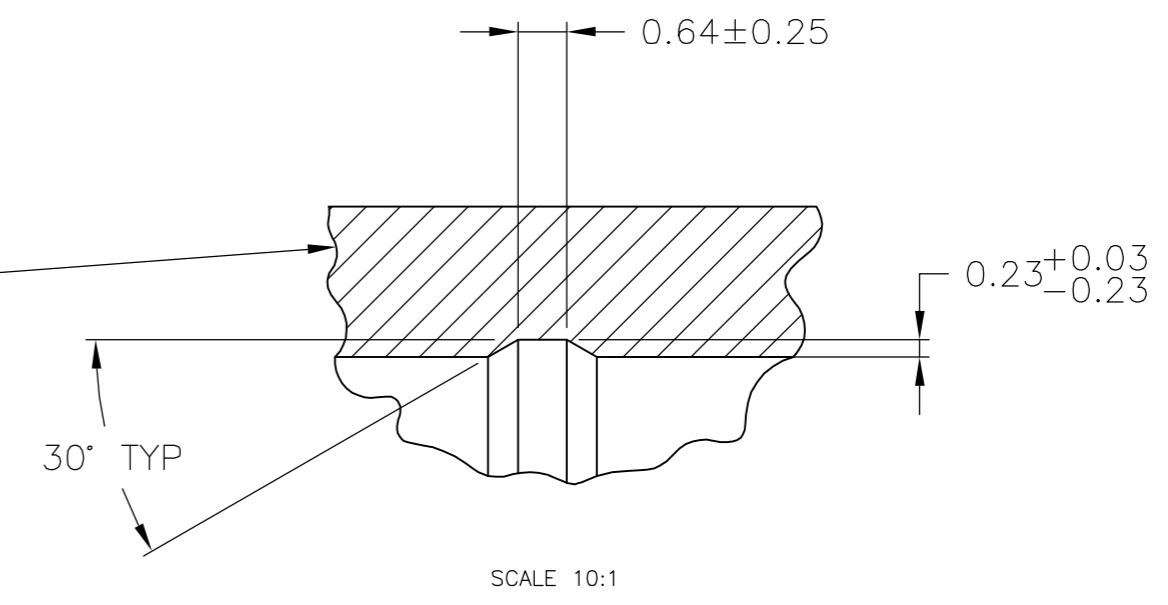
1. USE WITH STRAIN RELIEF 350373.
2. MOLDING COMPOUND PVC,FLEXIBLE, 55/75 DUROMETER (B SCALE),BLACK.
3. MOLDING COMPOUND PVC,FLEXIBLE,BLACK.



3-DIMENSIONAL MODEL NTS



SECTION A-A  
OPTIONAL CONSTRUCTION



SCALE 10:1

|      |      |      |      |       |      |
|------|------|------|------|-------|------|
| 0.25 | .010 | 1.57 | .062 | 11.43 | .450 |
| 0.23 | .009 | 1.02 | .040 | 9.53  | .375 |
| 0.13 | .005 | 0.64 | .025 | 6.35  | .250 |
| 0.03 | .001 | 0.38 | .015 | 5.54  | .218 |
| MM   | IN   | MM   | IN   | MM    | IN   |

CONVERSION TABLE

**METRIC**

|                          |          |             |
|--------------------------|----------|-------------|
| SUPERCEDED BY 2-350376-0 | 3        | 2-350376-0  |
|                          | 2        | 1-350376-0  |
|                          | MATERIAL | PART NUMBER |

|  |  |                               |   |  |
|--|--|-------------------------------|---|--|
| THIS DRAWING IS A CONTROLLED DOCUMENT. |  | DWN<br>K. WHITAKER<br>24MAR06 | <b>tyco</b><br>Electronics<br>Tyco Electronics Corporation<br>Harrisburg, Pa 17105-3608 |  |
| DIMENSIONS:<br>mm                      |  | CHK<br>C. JONES<br>24MAR06    |   |  |
| TOLERANCES UNLESS OTHERWISE SPECIFIED: |  | APVD<br>C. JONES<br>24MAR06   | NAME<br>GROMMET,SPLIT,M.R.  |  |
| 0 PLC ± -                              |  | PRODUCT SPEC                  | -   |  |
| 1 PLC ± -                              |  | APPLICATION SPEC              | -   |  |
| 2 PLC ± -                              |  | WEIGHT                        | -   |  |
| 3 PLC ± 0.13                           |  | SIZE                          | A2  |  |
| 4 PLC ± -                              |  | CAGE CODE                     | 00779   |  |
| ANGLES ± 1'0"                          |  | DRAWING NO                    | C=350376  |  |
| FINISH                                 |  | RESTRICTED TO                 | -   |  |
| MATERIAL<br>SEE TABLE                  |  | CUSTOMER DRAWING              | SCALE 4:1 SHEET 1 OF 1 REV G  |  |

350376