

Distributed by:

JAMECO[®]
ELECTRONICS

www.Jameco.com ♦ 1-800-831-4242

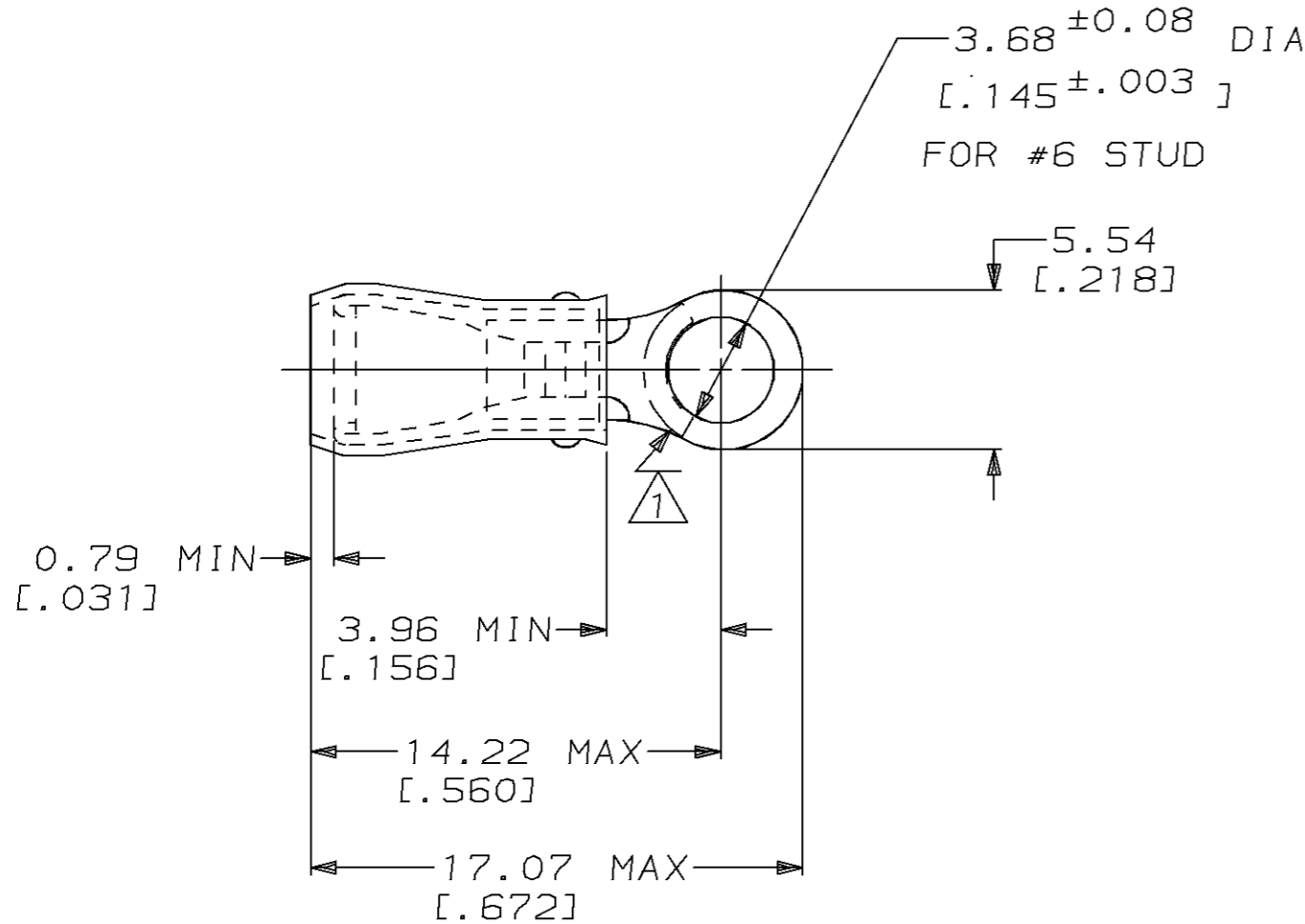
The content and copyrights of the attached
material are the property of its owner.

Jameco Part Number 909919

THIS DRAWING IS UNPUBLISHED. RELEASED FOR PUBLICATION, 19 .
 © COPYRIGHT 19 BY AMP INCORPORATED. ALL INTERNATIONAL RIGHTS RESERVED.

| LOC | DIST | P | F | REVISIONS | | | | |
|-----|------|---|---|-----------|-----|--------------------|---------|-------|
| G | 14 | | | ZONE | LTR | DESCRIPTION | DATE | APPD |
| | | | | | F | REV / 0L20-0025-97 | 28JAN97 | ME TM |

| | | |
|--------------------------------|--------------------------------|--------------------------------|
| AMP WIRE RANGE | UL Listed | SR LR7189 Certified |
| 22-16 AWG SOLID OR STRANDED | 22-16 AWG SOLID OR STRANDED | 22-16 AWG SOLID OR STRANDED |



- 1 STAMP AMP 22-18* APPROX AS SHOWN
22-16 TERMINALS ARE STAMPED 22-18 IN
ACCORDANCE WITH MILITARY SPEC MIL-T-7928
COMMERCIAL WIRE RANGE IS 22-16
- 2 WIRE INSULATION DIA: .105 - .140
- 3 TONGUE MATERIAL THK: 0.79^{±0.05} [.031^{±.002}]

| | | | |
|--|--|---|--------------------|
| - | 100 | LOOSE PIECE BOX | 8-36150-1 |
| MS 25036-101 CLASS 2 | 5000 | ON TAPE, REEL | 2-36150-1 |
| MS 25036-101 CLASS 1 & 2 | - | LOOSE PIECE | 36150 |
| MILITARY P/N AND CLASS | QUANTITY | PACKAGE TYPE | PART NO |
| DO NOT SCALE PRINT. UNLESS SPECIFIED DIMENSIONS IN mm [INCHES] TOLERANCES ON: 2 PLC DEC ± 0.20 [.008] 3 PLC DEC ± - ANGLES ± - | DR 02/11/93 DK SCHRUM CHK 4/28/93 RE HERSEY APPD 4/28/93 ML ELLIS APPD 4/28/93 M BARNABA PRODUCT SPEC UL 486A | AMP AMP Incorporated Harrisburg, PA 17105-3608 | |
| MATERIAL COPPER ASTM B-152 SLEEVE, RED NYLON | FINISH TIN PLATE PER MIL-T-10727 | NAME TERMINAL, RING TONGUE, PIDG™, WIRE SIZE, 22-16 AWG | |
| | | SIZE B | CAGE CODE 00779 |
| | | DRAWING NO C-36150 | |
| | | SCALE 4:1 | SHEET 1 OF 1 |

**AMP INCORPORATED
CUSTOMER SERVICE SYSTEMS**

| | |
|---|--|
| FOR ADDITIONAL PRODUCT INFORMATION OR COPIES OF DRAWINGS AND TECHNICAL DOCUMENTS | PRODUCT INFORMATION CENTER 1-800-522-6752 |
| FOR APPLICATION TOOLING INFORMATION | TOOLING ASSISTANCE CENTER 1-800-722-1111 |
| FOR ORDER ENTRY | 1-800-526-5142 |

MAX RECOMMENDED OPERATING
TEMPERATURE:
105°C MAX

VOLTAGE RATING:
300 V MAX

WIRE CROSS SECTIONAL AREA RANGE:
0.26-1.65mm² [509-3,260] CIR MILS
SOLID OR STRANDED

THIS DRAWING IS A CONTROLLED DOCUMENT FOR
AMP INCORPORATED. IT IS SUBJECT TO CHANGE
AND THE CONTROLLING ENGINEERING ORGANIZATION
SHOULD BE CONTACTED FOR THE LATEST REVISION.