

2-406549-5 Product Details

[Share](#) [Print](#) [Email](#)




2-406549-5

TE Internal Number: 2-406549-5

 Active

[View 3D PDF](#)

PCB Mounted Jacks - Single Port, Multi-port and Stacked

 Always EU RoHS/ELV Compliant
(Statement of Compliance)

Product Highlights:

- Connector
- Preloaded
- Single Port Configuration
- 1 x 1 Jack Configuration
- Jack Type = RJ45

[View all Features](#)

Quick Links

- ▶ [Pricing & Availability](#)
- ▶ [Search for Tooling](#)
- ▶ [Product Feature Selector](#)
- ▶ [Contact Us About This Product](#)

[Add to My Part List](#)

[Request Sample](#)

[Find Similar Products](#)

[Buy Product](#)

Documentation & Additional Information

Product Drawings:

- [INVERTED MODULAR JACK ASSEMBLY, 1X1, SHIELDED, PANEL...](#) (PDF, English)

Catalog Pages/Data Sheets:

- None Available

Product Specifications:

- [High Performance Modular Plugs & Jacks, PCB Mounted](#) (PDF, English)

Application Specifications:

- [Modular Jacks](#) (PDF, English)

Instruction Sheets:

- None Available

CAD Files: (CAD Format & Compression Information)

- [2D Drawing](#) (DXF, Version R1)
- [3D Model](#) (IGES, Version R1)
- [3D Model](#) (STEP, Version R1)

[List all Documents](#)

Additional Information:

- [Product Line Information](#)

Related Products:

- [Tooling](#)

Product Features (Please use the Product Drawing for all design activity)

Product Type Features:

- Product Type = Connector
- Jack Type = RJ45
- PCB Mounting Orientation = Side Entry (Right Angle)
- PCB Mount Style = Through Hole
- Performance Category = Cat 5
- LED = With
- Grounding Options = Panel Ground and PCB Ground
- Panel Stops = Without
- Keyed = No
- Profile = Standard
- Color = Black

Mechanical Attachment:

- Panel Mount Retention = With

Housing Features:

- Housing Material = High Temperature Thermoplastic

Configuration Features:

- Preloaded = Yes
- Port Configuration = Single
- Jack Configuration = 1 x 1
- Number of Positions = 8
- Shielded = Yes
- Number of Contacts Loaded = 8
- Number of PCB Ground Tabs = 2
- Panel Ground Location = Top and Side, Top

Industry Standards:

- RoHS/ELV Compliance = RoHS compliant, ELV compliant
- Lead Free Solder Processes = Wave solder capable

- Flanged = No

Termination Features:

- [Termination Method to PC Board](#) = Solder

Dimensions:

- [Height \(mm \[in\]\)](#) = 13.34 [0.525]
- [PCB Tail Length \(mm \[in\]\)](#) = 2.54 [0.100]
- [PCB Thickness, Recommended \(mm \[in\]\)](#) = 1.57 [0.062]

Body Features:

- [Inverted Jack Face](#) = Yes
- [Shield Plating](#) = Tin
- [Shield Material](#) = Copper Alloy
- [PCB Ground Tab Location \(mm \[in\]\)](#) = -3.43 [-0.135]

Contact Features:

- [Solder Tail Contact Plating](#) = Matte Tin over Nickel
- [Contact Plating, Mating Area, Material](#) = Gold (50)
- [Contact Base Material](#) = Phosphor Bronze

to 240°C, Wave solder capable to 260°C, Wave solder capable to 265°C

- [RoHS/ELV Compliance History](#) = Always was RoHS compliant
- [UL Flammability Rating](#) = UL 94V-0

Identification Marking:

- [LED Position 1 Color](#) = Green
- [LED Position 2 Color](#) = Green
- [LED Position 3 Color](#) = None

Packaging Features:

- [Packaging Method](#) = Tray

Product Availability:

- [Region](#) = Asia, North America

Other:

- [Brand](#) = AMP
- [Comment](#) = Recommended applications: Fast Ethernet, 10Base-T Ethernet, and 10/100 Base-T Ethernet (Cat 5 on two pair 1/2, 3/6).

Corporate Information

- [About TE](#)
- [Investors](#)
- [News Room](#)
- [Supplier Portal](#)
- [Careers](#)
- [Terms & Conditions](#)
- [Privacy Policy](#)

Quick Links

- [Distributor Inventory](#)
- [Product Cross Reference](#)
- [Documents & Drawings](#)
- [Product Compliance Support Center](#)
- [Site Map](#)

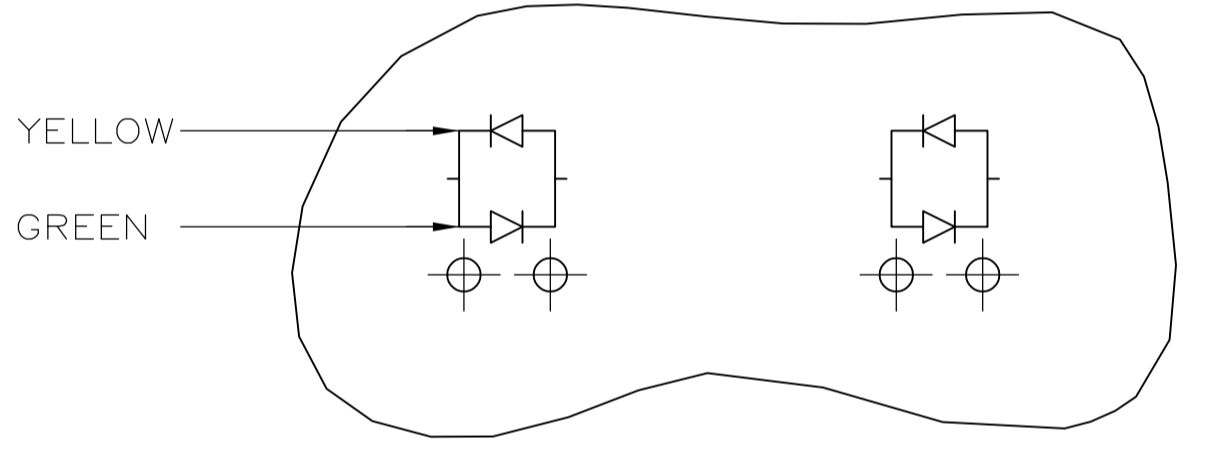
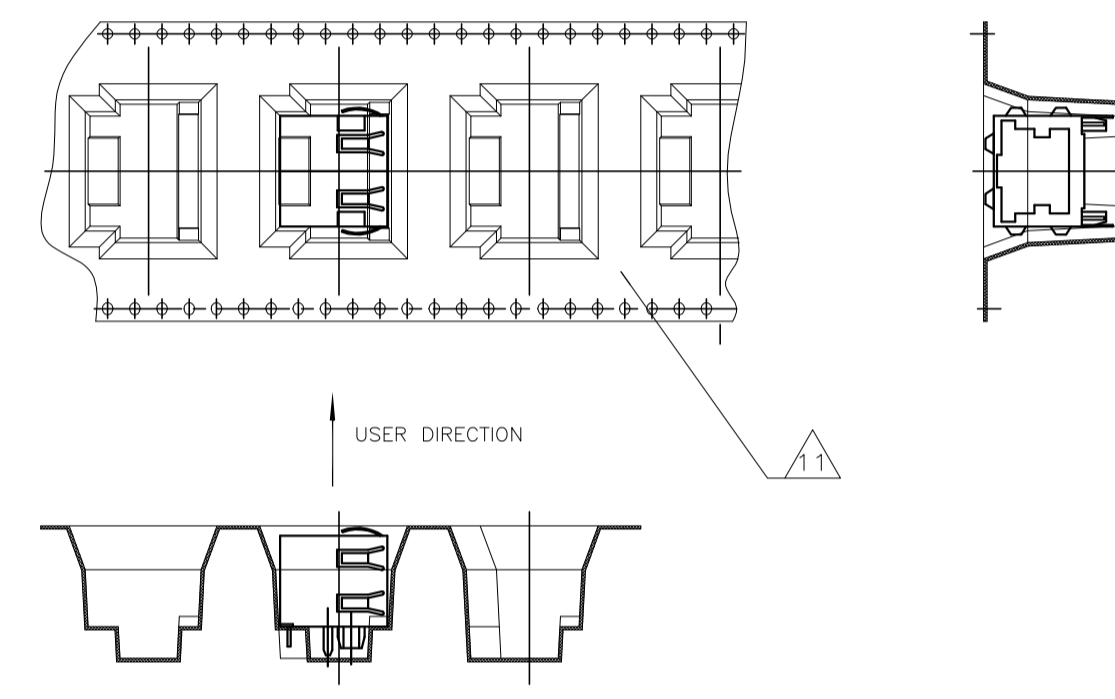
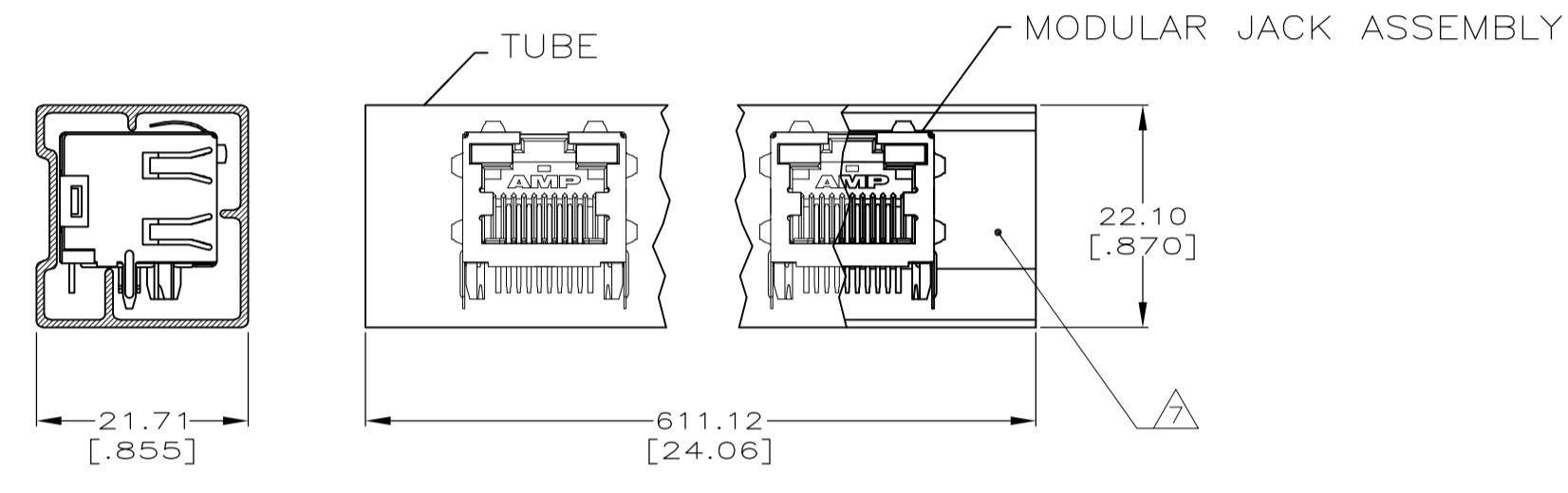
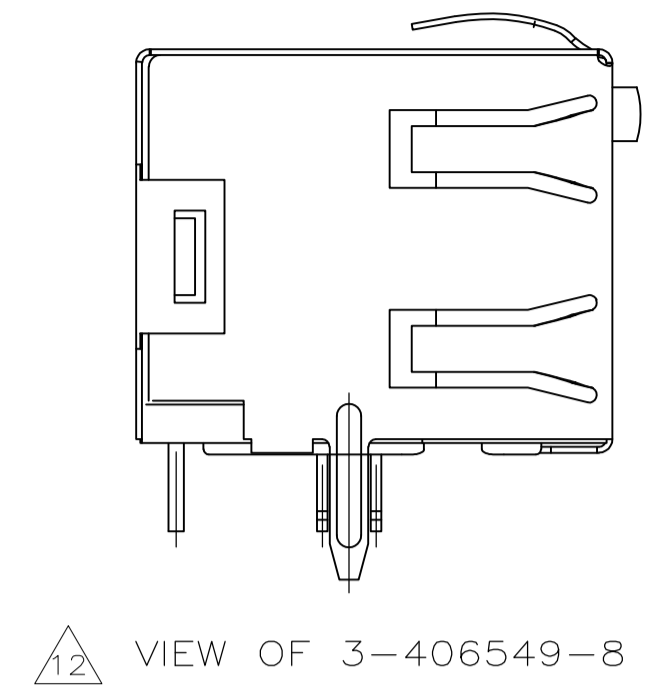
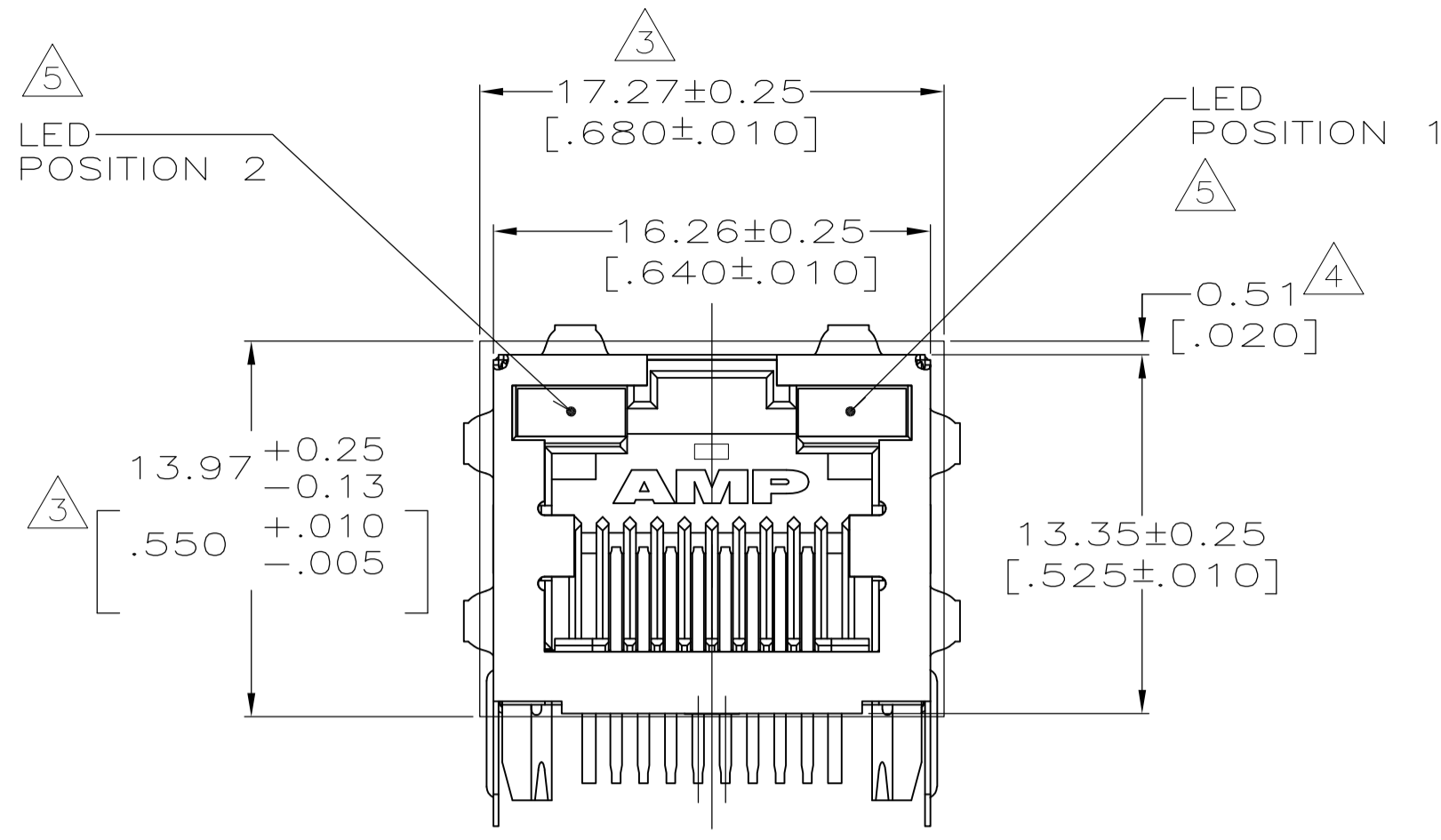
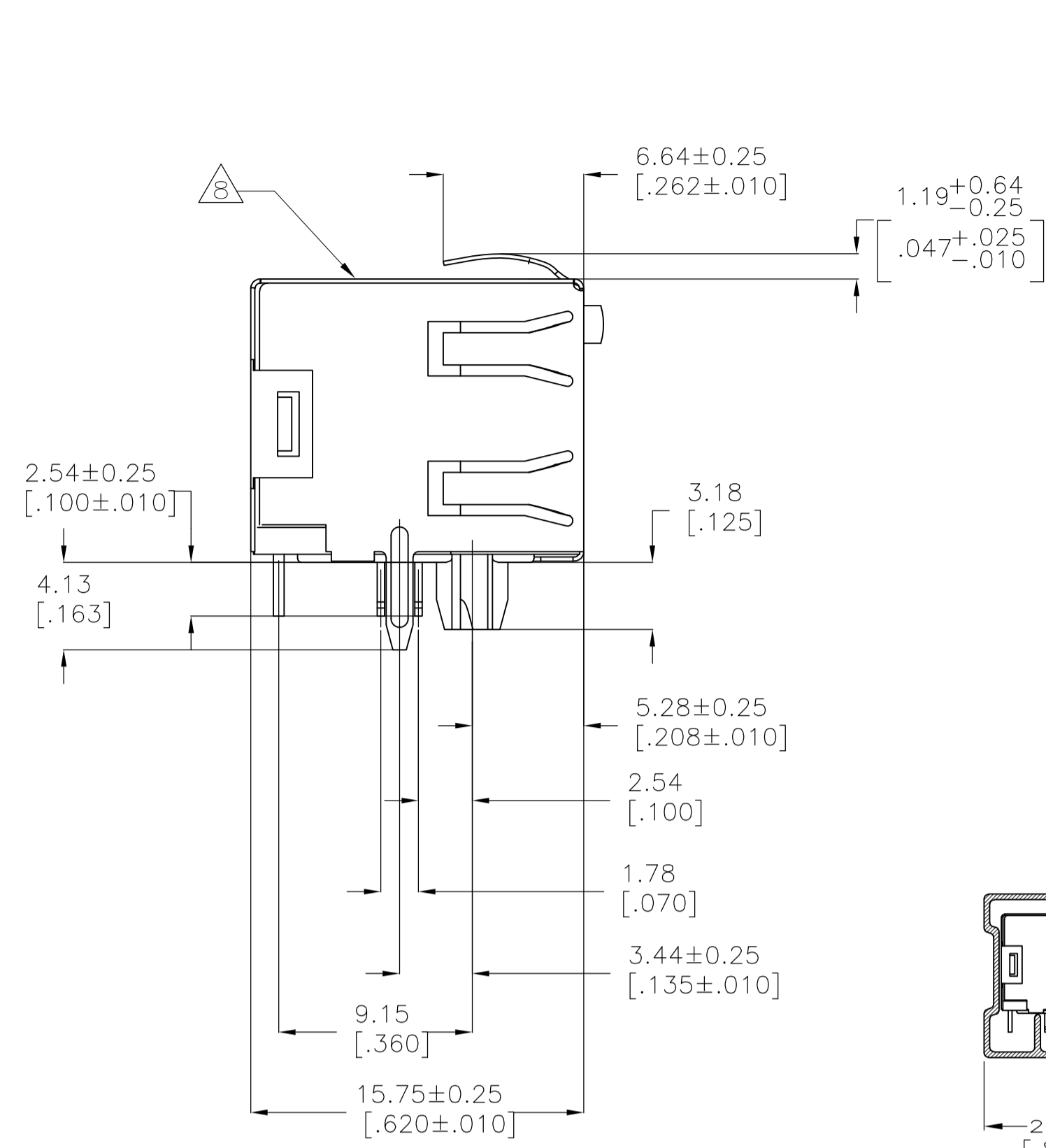
Customer Support

- [Email or Chat With Us](#)
- [Find a Phone Number](#)
- [Knowledge Base](#)
- [Manage Your Account](#)

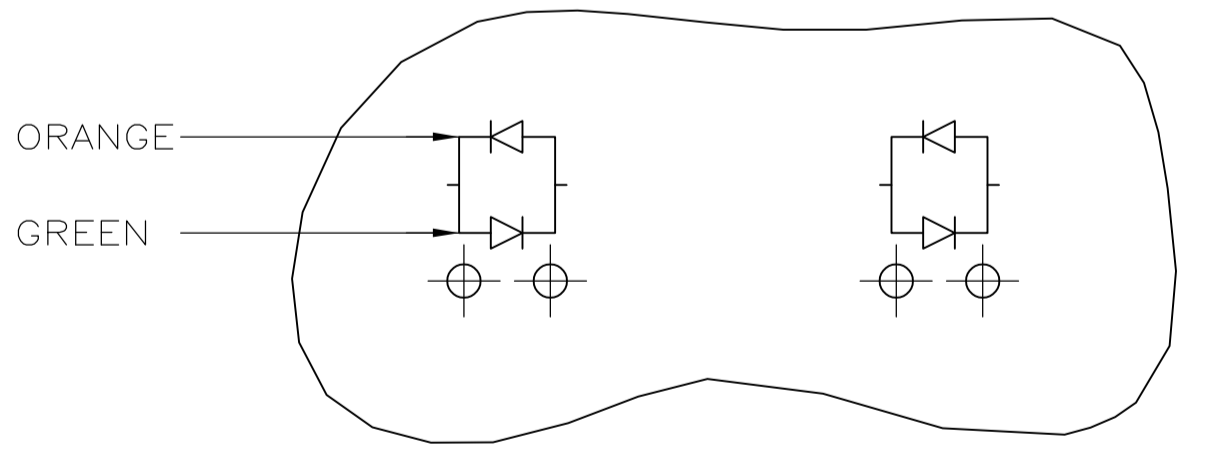
Keep Me Informed



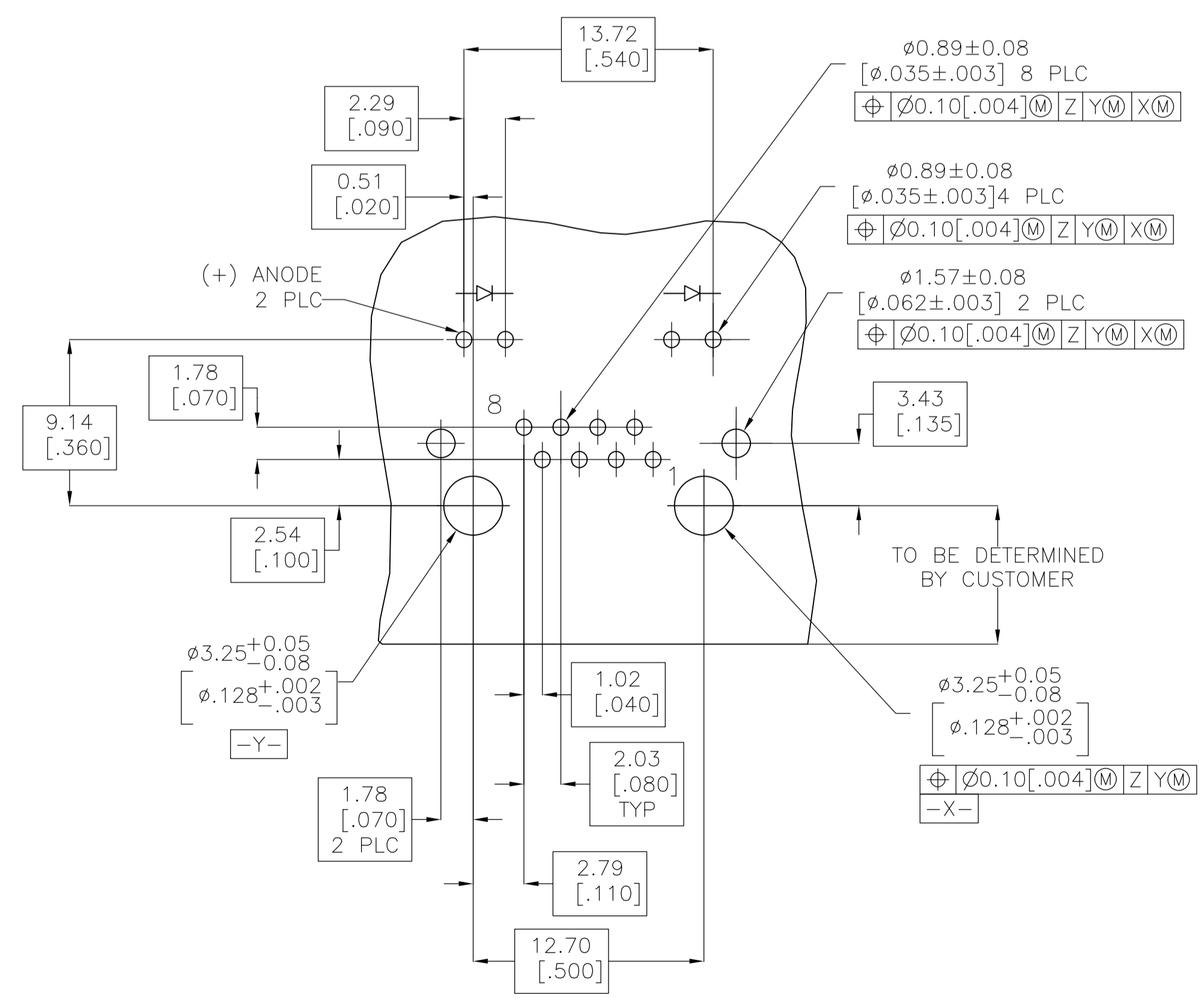
LOC	DIST	REVISIONS			
AA	00	REV	DESCRIPTION	DATE	BY
		R9	ECR-11-005509	18FEB2011	JJ MQW



LED CURRENT DIAGRAM
406549-8, 2-406549-8



LED CURRENT DIAGRAM
2-406549-7 ONLY



RECOMMENDED PRINTED CIRCUIT BOARD LAYOUT
(COMPONENT SIDE)

- 1 MATERIAL: HOUSING - HIGH TEMPERATURE THERMOPLASTIC, BLACK, UL94V-0. TERMINALS - 0.36[.014] THICK PHOS BRONZE PLATED WITH 3.81µm[.000150] MINIMUM THICK (SEE P/N TABLE) IN SOLDER AREA. 1.27µm[.000050] MINIMUM GOLD IN LOCALIZED PLATE AREA. ENTIRE TERMINAL PLATED WITH 1.27µm[.000050] MINIMUM THICK NICKEL. SHIELD - 0.196[.0077] THICK COPPER ZINC ALLOY PREPLATED WITH 1.27µm[.000050] MINIMUM SATIN NICKEL WITH 2.03µm[.000080] MINIMUM TIN POST DIPPED ON PCB GROUND TABS. LIGHT EMITTING DIODE (LED) - DIFFUSED EPOXY LENS, 0.51 x 0.51[.020 x .020] CARBON STEEL WIREFRAME LEADS PLATED WITH 8.89µm[.000350] TIN/COPPER OVER 2.03[.000080] SILVER OVER 1.02µm[.000040] NICKEL UNDERPLATE OVER 1.02µm[.000040] COPPER UNDERPLATE.
2. JACK CAVITY CONFORMS TO FCC RULES AND REGULATIONS PART 68, SUBPART F.
- 3 SUGGESTED PANEL OPENING DIMENSIONS.
- 4 SUGGESTED CLEARANCE BETWEEN TOP OF CONNECTOR AND TOP PANEL OPENING.
- 5 SEE TABLE FOR COLOR OF LEDS AND NUMBER REQUIRED.
6. THIS MODULAR JACK WITH INTEGRATED LED IS NOT IR REFLOW SOLDERING PROCESS COMPATIBLE.
- 7 PACKAGED 30 PIECES PER TUBE, SEE DETAIL "A".
- 8 MANUFACTURING DATE CODE: LOCATED APPROX. AS SHOWN. FIRST 2 DIGITS = LAST 2 DIGITS OF YEAR. NEXT 2 DIGITS = MANUFACTURING WORK WEEK. LAST DIGIT = DAY OF WEEK WITH SUNDAY = 1.
- 9 THE PART IS PRELIMINARY.
- 10 OBSOLETE PARTS: OBSOLETE CIS STREAMLINING PER D.RENAUD/D.SINISI
- 11 TAPE REEL PACKAGE .SEE DETAIL B.
- 12 WITHOUT PLASTIC POST, SEE VIEW OF 3-406549-8.

FINISH	PACKAGING	INDICATOR COLOR	PART NUMBER
MATTE TIN	TAPE REEL	YELLOW/GREEN	3-406549-8
MATTE TIN	TRAY	GREEN/RED	3-406549-3
MATTE TIN	TRAY	RED	3-406549-2
MATTE TIN	TUBE	YELLOW	3-406549-1
MATTE TIN	TRAY	ORANGE/GREEN	3-406549-0
MATTE TIN	TRAY	ORANGE/GREEN	2-406549-9
MATTE TIN	TRAY	YELLOW/GREEN	2-406549-8
MATTE TIN	TRAY	ORANGE/GREEN	2-406549-7
MATTE TIN	TRAY	YELLOW	2-406549-6
MATTE TIN	TRAY	GREEN	2-406549-5
MATTE TIN	TRAY	GREEN	2-406549-4
MATTE TIN	TRAY	YELLOW	2-406549-3
MATTE TIN	TRAY	GREEN	2-406549-2
MATTE TIN	TRAY	YELLOW	2-406549-1
TIN-LEAD	TRAY	YELLOW/GREEN	406549-8
TIN-LEAD	TRAY	YELLOW	406549-6
TIN-LEAD	TRAY	GREEN	406549-5
TIN-LEAD	TRAY	GREEN	406549-4
TIN-LEAD	TRAY	YELLOW	406549-3
TIN-LEAD	TRAY	GREEN	406549-2
TIN-LEAD	TRAY	YELLOW	406549-1
TERMINAL LEAD PLATING	PACKAGING	POSITION 2	POSITION 1

THIS DRAWING IS A CONTROLLED DOCUMENT. DIMENSIONS: mm [INCHES]. TOLERANCES UNLESS OTHERWISE SPECIFIED: 0 PLC ± -, 1 PLC ± 0.25[.01], 2 PLC ± 0.25[.01], 3 PLC ± 0.13[.005], 4 PLC ± -, ANGLES ± -.

APPROVED: G. GARRETT 17-SEP-97. NAME: M. DERSTINE 17-SEP-97. PRODUCT SPEC: 108-1163-4. APPLICATION SPEC: 114-2154. WEIGHT: -. SIZE: A1. CAGE CODE: 00779. DRAWING NO: 406549. RESTRICTED TO: CUSTOMER DRAWING. SCALE: 4:1. SHEET: 1 of 1. REV: R9.

Tyco Electronics Corporation, Harrisburg, Pa 17105-3608. INVERTED MODULAR JACK ASSEMBLY, 1X1, SHIELDED, PANEL GROUND, LED.