



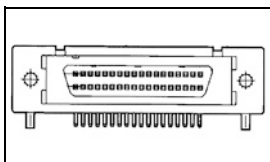
**Have a Question?**  
Chat with a Product Information Specialist

What can we help you find?

[Products](#) [Industries](#) [Resources](#) [About TE](#) [My Account](#) [Innovation](#) [Support Center](#)

## 2-5174225-5 Product Details

Share Print Email



**2-5174225-5**

TE Internal Number: 2-5174225-5

Active

View 3D PDF

### .050 Series Board Mount Connectors

Always EU RoHS/ELV Compliant (Statement of Compliance)

#### Product Highlights:

- Connector
- Connector Style = Plug
- 68 Positions
- PCB Mounting Orientation = Right Angle
- Termination Method to PC Board = Through Hole - Solder

[View all Features](#)

### Quick Links

- Pricing & Availability
- Search for Tooling
- Product Feature Selector
- Contact Us About This Product

[Add to My Part List](#) [Request Sample](#) [Find Similar Products](#) [Buy Product](#)

Documentation & Additional Information	
<p><b>Product Drawings:</b></p> <ul style="list-style-type: none"> <li>• <a href="#">POST HEADER (HORIZONTAL M2.5) AMPLIMITE .050 SERIES ...</a> (PDF, English)</li> </ul> <p><b>Catalog Pages/Data Sheets:</b></p> <ul style="list-style-type: none"> <li>• None Available</li> </ul> <p><b>Product Specifications:</b></p> <ul style="list-style-type: none"> <li>• None Available</li> </ul> <p><b>Application Specifications:</b></p> <ul style="list-style-type: none"> <li>• None Available</li> </ul> <p><b>Instruction Sheets:</b></p> <ul style="list-style-type: none"> <li>• None Available</li> </ul> <p><b>CAD Files:</b> (<a href="#">CAD Format &amp; Compression Information</a>)</p> <ul style="list-style-type: none"> <li>• <a href="#">2D Drawing</a> (DXF, Version A)</li> <li>• <a href="#">3D Model</a> (IGES, Version A)</li> <li>• <a href="#">3D Model</a> (STEP, Version A)</li> </ul>	<p><b>Additional Information:</b></p> <ul style="list-style-type: none"> <li>• <a href="#">Product Line Information</a></li> </ul> <p><b>Related Products:</b></p> <ul style="list-style-type: none"> <li>• <a href="#">Tooling</a></li> </ul>

[List all Documents](#)

Product Features (Please use the Product Drawing for all design activity)	
<p><b>Product Type Features:</b></p> <ul style="list-style-type: none"> <li>• <a href="#">Product Type</a> = Connector</li> <li>• PCB Mounting Orientation = Right Angle</li> <li>• Termination Method to PC Board = Through Hole - Solder</li> <li>• PCB Mount Retention = With</li> <li>• PCB Mount Retention Type = Mounting Hole(s)</li> <li>• <a href="#">PCB Mount Alignment</a> = Without</li> <li>• <a href="#">Shell Type</a> = Full Metal</li> <li>• <a href="#">Product Series</a> = Series II</li> <li>• Shell Material = Zinc Die Cast</li> <li>• Post Plate Material = Thermoplastic</li> </ul> <p><b>Mechanical Attachment:</b></p> <ul style="list-style-type: none"> <li>• Mating Retention Type = Latching</li> </ul> <p><b>Electrical Characteristics:</b></p> <ul style="list-style-type: none"> <li>• <a href="#">Shielded</a> = Yes</li> </ul> <p><b>Termination Features:</b></p> <ul style="list-style-type: none"> <li>• <a href="#">Termination Post Length</a> (mm [in]) = 2.90 [0.114]</li> </ul> <p><b>Body Features:</b></p> <ul style="list-style-type: none"> <li>• Mating Retention = With</li> <li>• Post Plating = Tin over Nickel</li> <li>• Shell Plating = Nickel over Copper</li> </ul>	<p><b>Contact Features:</b></p> <ul style="list-style-type: none"> <li>• <a href="#">Contact Plating, Mating Area, Material</a> = Gold (30)</li> <li>• Contact Base Material = Phosphor Bronze</li> </ul> <p><b>Housing Features:</b></p> <ul style="list-style-type: none"> <li>• Connector Style = Plug</li> <li>• Mating Alignment = Without</li> <li>• Centerline (mm [in]) = 1.27 [0.050]</li> <li>• Housing Material = Thermoplastic - GF</li> <li>• UL Flammability Rating = UL 94V-0</li> </ul> <p><b>Configuration Features:</b></p> <ul style="list-style-type: none"> <li>• <a href="#">Number of Positions</a> = 68</li> </ul> <p><b>Industry Standards:</b></p> <ul style="list-style-type: none"> <li>• <a href="#">RoHS/ELV Compliance</a> = RoHS compliant, ELV compliant</li> <li>• <a href="#">Lead Free Solder Processes</a> = Wave solder capable to 260°C, Wave solder capable to 240°C, Wave solder capable to 265°C</li> <li>• RoHS/ELV Compliance History = Always was RoHS compliant</li> <li>• Post Plate Flammability Rating = UL 94V-0</li> </ul> <p><b>Other:</b></p> <ul style="list-style-type: none"> <li>• Brand = AMP</li> </ul>

THIS DRAWING IS UNPUBLISHED. RELEASED FOR PUBLICATION FEB. 2003.  
 © COPYRIGHT 2003 By - ALL RIGHTS RESERVED.

LOC	DIST	REVISIONS					
		P	LTR	DESCRIPTION	DATE	DWN	APVD
J	00		C1	REVISED PER ECO-11-005033	24MAR11	RK	HMR

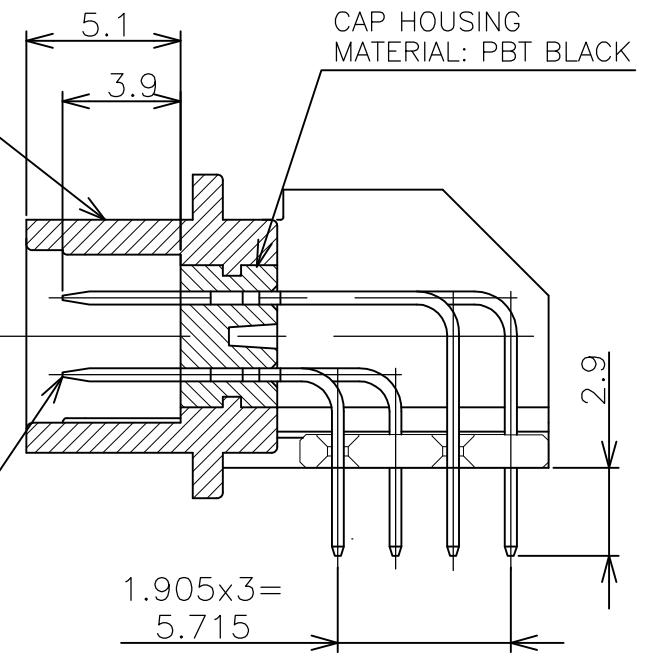
TINE PLATE  
 MATERIAL : PBT (BLACK)

CAP SHIELD  
 MATERIAL: ZINC  
 FINISH: NICKEL OVER COPPER

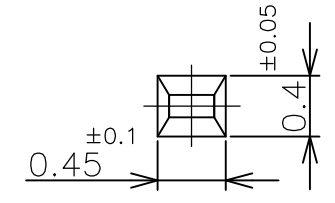
CAP HOUSING  
 MATERIAL: PBT BLACK

POST CONTACT  
 MATERIAL : PHOS BRONZE  
 FINISH : GOLD (CONTACT AREA)  
 TIN (SOLDER TINE AREA)  
 WITH ENTIRE CONTACT  
 UNDER PLATED NIKKEL

50POS (-4) ONLY

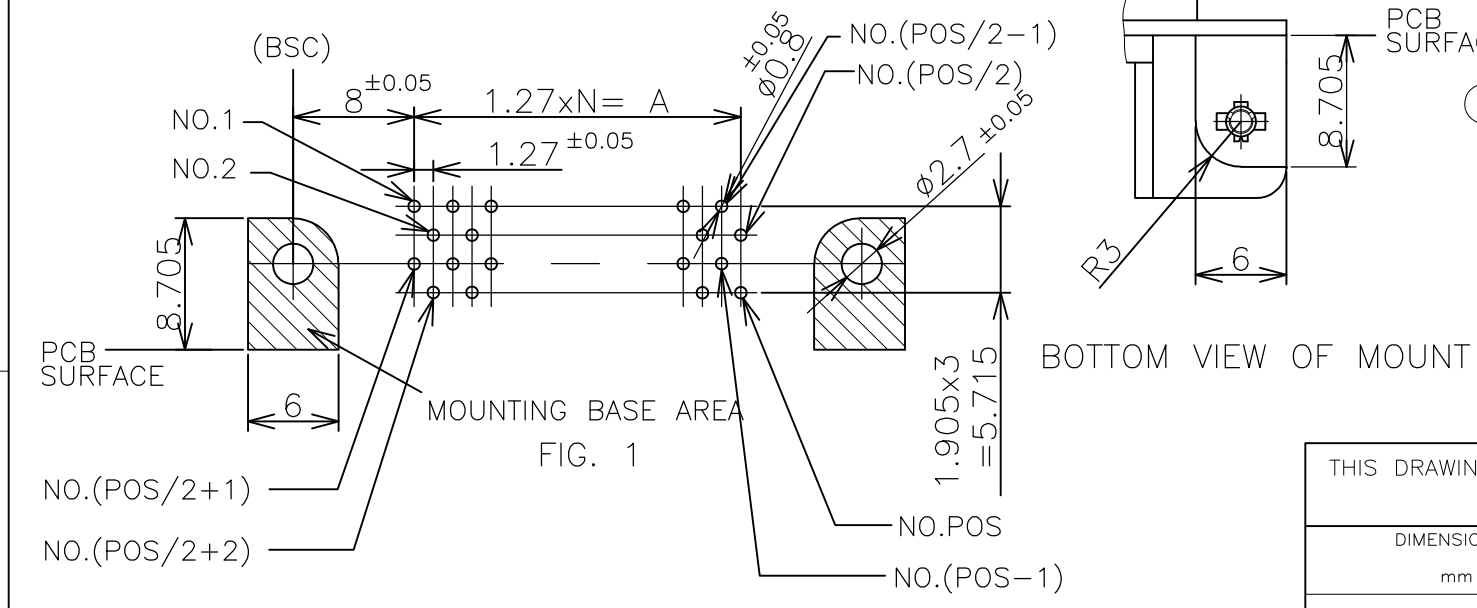
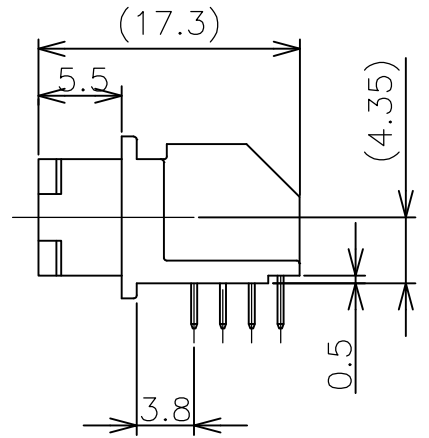
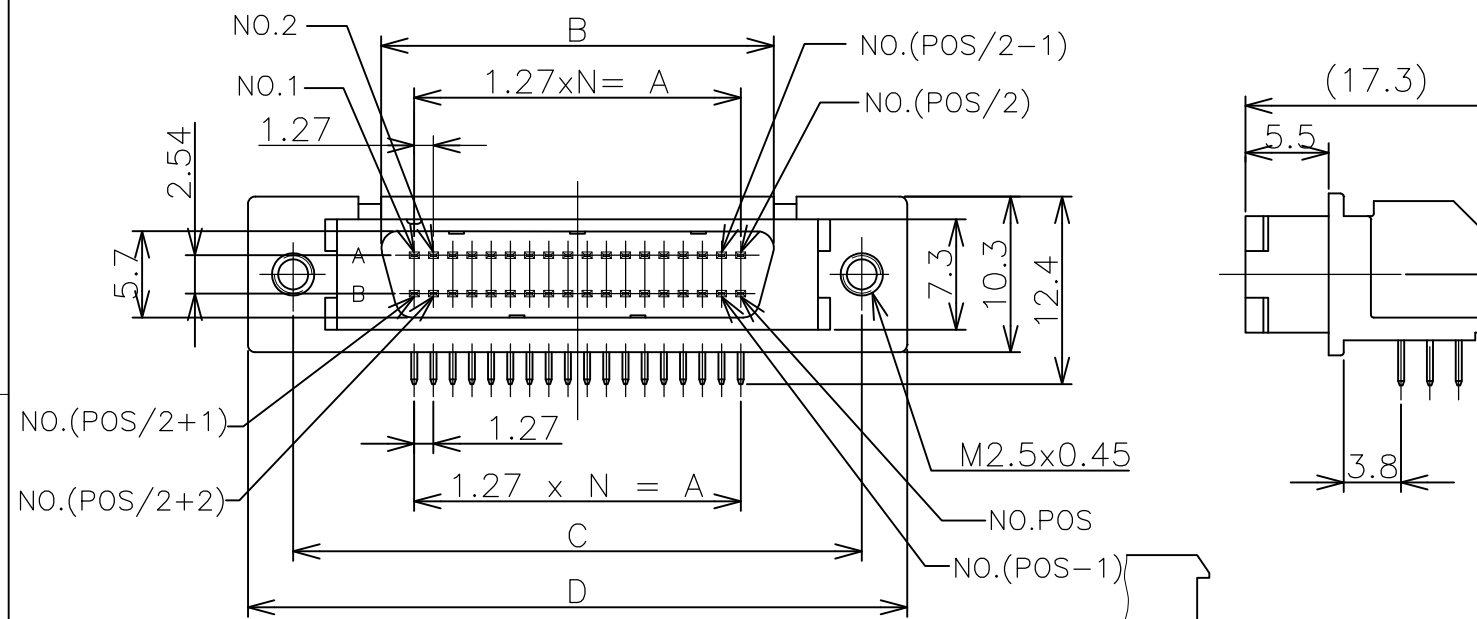
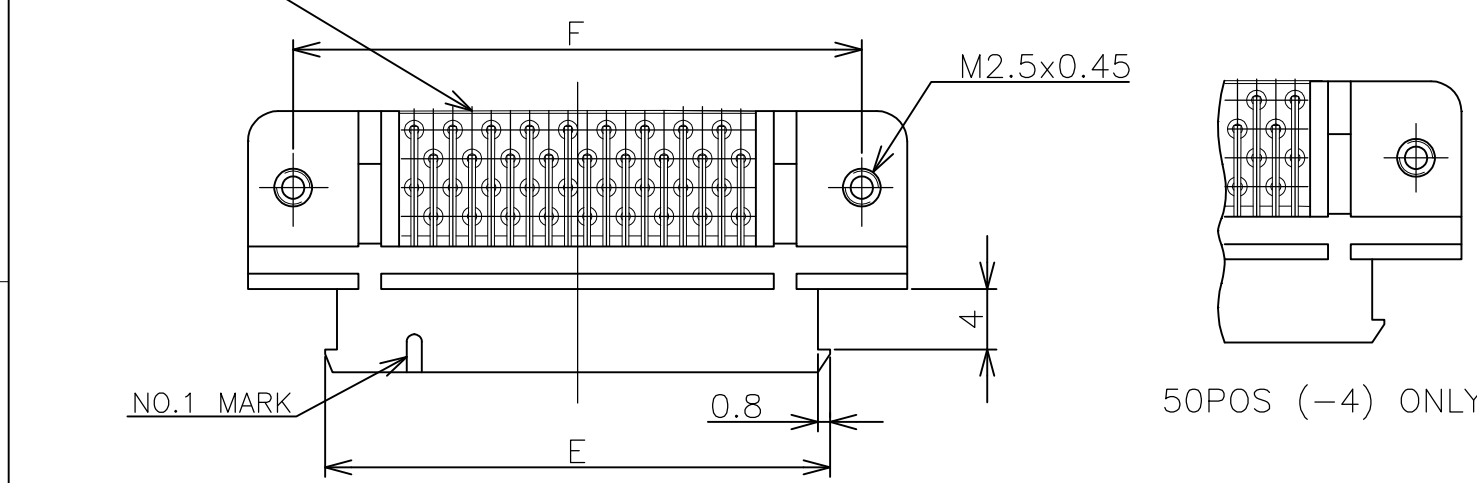


(SCALE 4:1)



TOP OF POST (SOLDER SIDE)  
 (SCALE 20:1)

LEAD FREE



BOTTOM VIEW OF MOUNT

OBS	96	47	59.69	64.06	75.7	81.7	71.49	75.7	0.00076 MIN	2-5174225-6
	68	33	41.91	46.28	57.9	63.9	53.71	57.9		2-5174225-5
	50	24	30.48	34.85	46.5	52.5	42.28	46.5		2-5174225-4
△3	36	17	21.59	25.96	37.6	43.6	33.39	37.6	0.0002 MIN	2-5174225-3
	96	47	59.69	64.06	75.7	81.7	71.49	75.7		5174225-6
	68	33	41.91	46.28	57.9	63.9	53.71	57.9		5174225-5
	50	24	30.48	34.85	46.5	52.5	42.28	46.5		5174225-4
	36	17	21.59	25.96	37.6	43.6	33.39	37.6		5174225-3
△3	28	13	16.51	20.88	32.5	38.5	28.31	32.5		5174225-2
△3	20	9	11.43	15.8	27.4	33.4	23.23	27.4		5174225-1
	POS	N	A	B	C	D	E	F	GOLD THK	PART NUMBER

- 1 P.C BOARD HOLE LAY-OUT AS SHOWN FIG. 1
- 2 USE SCREW SIZE ; M2.5 PAN-HEAD SCREW

△3 OBSOLETE PARTS: OBSOLETE CIS STREAMLINING PER D.RENAUD/D.SINISI

THIS DRAWING IS A CONTROLLED DOCUMENT.

DWN Roy Hao 17Aug04  
 CHK Steven Yao 17Aug04  
 APVD I.Enomoto 17Aug04

STE TE Connectivity

NAME POST HEADER (HORIZONTAL M2.5)  
 AMPLIMITE .050 SERIES 2  
 TYPE B

108-60037-1

APPLICATION SPEC

SIZE A3 CAGE CODE 00779 DRAWING NO C-5174225 RESTRICTED TO

SCALE 2:1 SHEET 1 OF 1 REV C1

CUSTOMER DRAWING