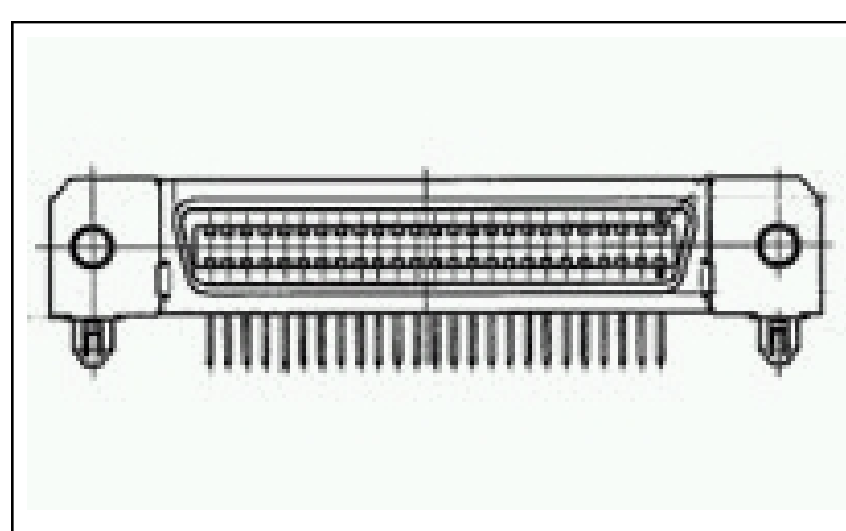


## 2-5178238 -8 Product Details

**Live Product Chat** US Only  
8:30am - 5pm ET, Mon - Fri



**2-5178238 -8**

[Active](#)

### 1.27 [.050] Series II and Series III Connectors

[Always EU RoHS/ELV Compliant](#) ( [Statement of Compliance](#) )

#### Product Highlights:

- ? Mating Type = Receptacle
- ? Number of Positions = 68
- ? Terminate To Printed Circuit Board
- ? Right Angle Mount Angle
- ? Yes PCB Retention Feature

[View all Features](#) | [Find Similar Products](#)

#### Quick Links

- [Check Pricing & Availability](#)
- [Search for Tooling](#)
- [Product Feature Selector](#)
- [Contact Us About This Product](#)

#### Documentation & Additional Information

##### Product Drawings:

- ? [RECEPTACLE HDR ASSY \(3.1mm\) RETENTION LEG TYPE STAND...](#) (PDF, English)

##### Catalog Pages/Data Sheets:

- ? None Available

##### Product Specifications:

- ? [CHAMP.050 Series\(II\) Connector Wire to Board Type](#) (PDF, English)

##### Application Specifications:

- ? None Available

##### Instruction Sheets:

- ? None Available

##### CAD Files: ( [CAD Format & Compression Information](#) )

- ? [2D Drawing](#) (DXF, Version A)
- ? [3D Model](#) (IGES, Version A)
- ? [3D Model](#) (STEP, Version A)

[List all Documents](#)

##### Additional Information:

- ? [Product Line Information](#)

##### Related Products:

- ? [Tooling](#)

#### Product Features (Please use the Product Drawing for all design activity)

##### Product Type Features:

- ? [Mating Type](#) = Receptacle
- ? [Number of Positions](#) = 68
- ? [Mount Angle](#) = Right Angle
- ? [PCB Retention Feature](#) = Yes
- ? [Mating Connector Lock](#) = Without
- ? [Product Series](#) = Series II
- ? PCB Thickness (mm [in]) = 1.57 - 2.36 [0.062 - 0.093]
- ? Panel Thickness (mm [in]) = 2.01 [0.079]
- ? Color = Black
- ? Frame Material = Die Cast Zinc
- ? Shield Material = Steel
- ? Comment = Alternate tail lengths 3.90 [.153] and 2.20 [.087] available

##### Mechanical Attachment:

- ? [Panel Attachment](#) = With
- ? Boardlock Material = Phosphor Bronze
- ? Boardlock Plating = Tin over Nickel

##### Termination Related Features:

- ? Termination (Solder) Post Length (mm [in]) = 3.10 [0.122]
- ? Solder Tail Contact Plating = Tin

##### Body Related Features:

- ? Centerline (mm [in]) = 1.27 [0.050]
- ? PCB Retention Method = Boardlock(s)
- ? Frame Plating = Nickel
- ? Shield Plating = Nickel over Copper

##### Contact Related Features:

- ? [Contact Mating Area Plating](#) = Gold (30)
- ? Contact Material = Phosphor Bronze

##### Housing Related Features:

- ? [Housing Material Temperature](#) = Standard
- ? Housing Material = Nylon
- ? Housing Flammability Rating = UL 94V -0

##### Industry Standards:

- ? [RoHS/ELV Compliance](#) = RoHS compliant, ELV compliant
- ? [Lead Free Solder Processes](#) = Wave solder capable to 240°C, Wave solder capable to 260°C, Wave solder capable to 265°C
- ? RoHS/ELV Compliance History = Always was RoHS compliant

##### Conditions for Usage:

- ? [Terminate To](#) = Printed Circuit Board

##### Other:

- ? Brand = AMP