

Distributed by:

JAMECO[®]
ELECTRONICS

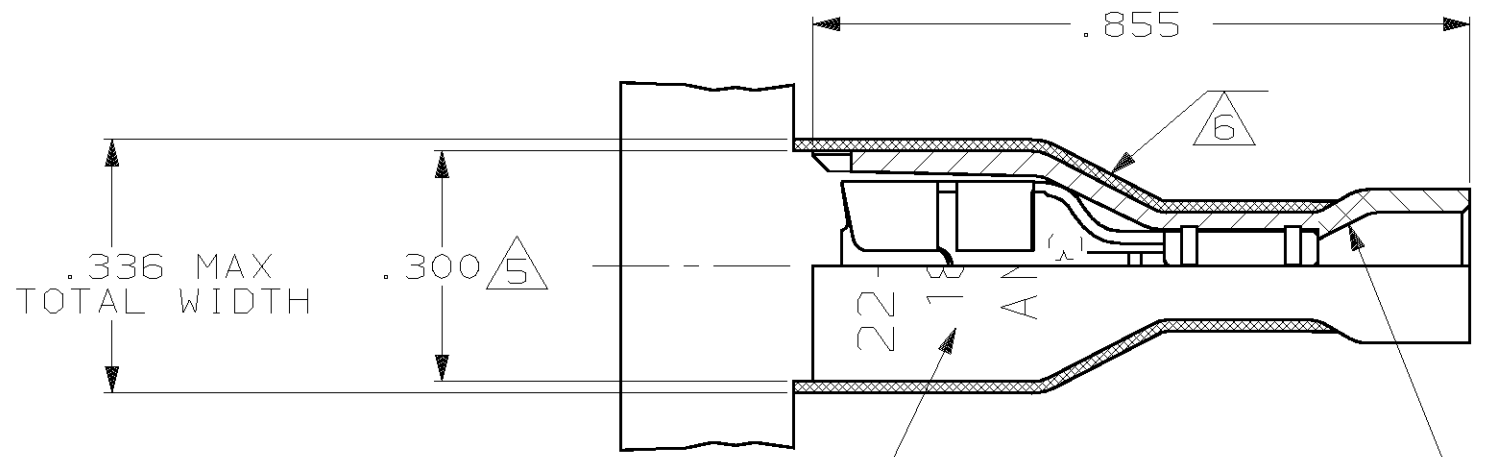
www.Jameco.com ♦ 1-800-831-4242

The content and copyrights of the attached
material are the property of its owner.

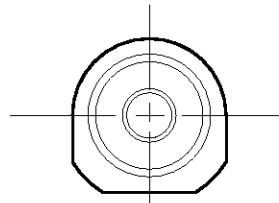
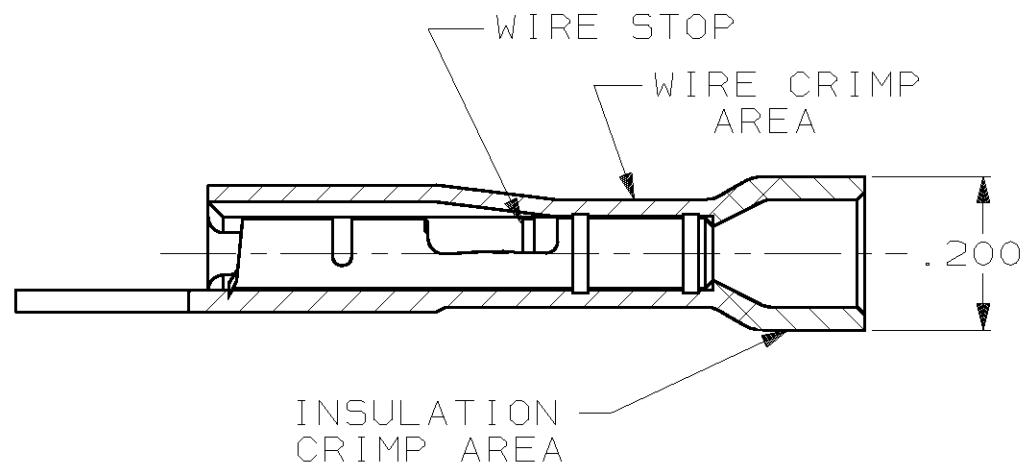
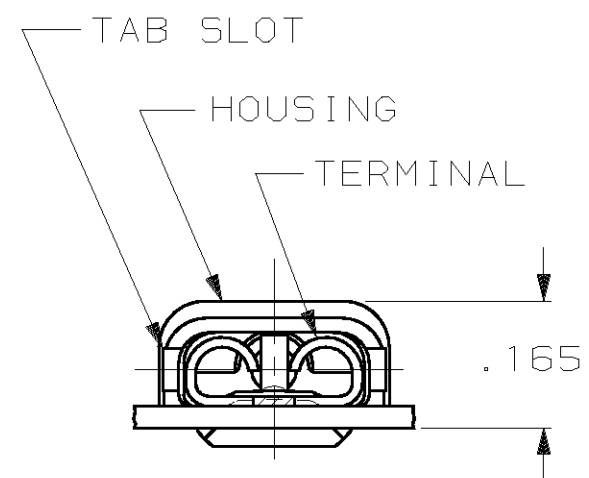
Jameco Part Number 837089

THIS DRAWING IS UNPUBLISHED. RELEASED FOR PUBLICATION, 19
 © COPYRIGHT 19 BY AMP INCORPORATED. ALL INTERNATIONAL RIGHTS RESERVED.

LOC AF	DIST 50	P	F	REVISIONS			DATE	APPD
				ZONE	LTR	DESCRIPTION		
					L	REV PER 0G1A-0148-99	4JUN99	JR/JH



- 1 MATES WITH .032±.001×.187 TAB
- 2 WIRE STRIP LENGTH .281
- 3 INSULATION SIZE .060-.135 DIA
- 4 CONTINUOUS STRIP ON REELS
- 5 DIMENSION DOES NOT INCLUDE TRIM BURR
- 6 .015 MAX CARRIER TRIM BURR PER SIDE IS ALLOWABLE IN THE SHADED AREA



HOUSING: NYLON, COLOR-RED TRANSLUCENT
 RECEPTACLE: #3 HARD BRASS
 TIN PL .000080 MIN THK

2-520403-2

MATERIAL & FINISH		PART NO	
DO NOT SCALE PRINT. UNLESS SPECIFIED DIMENSIONS IN INCHES TOLERANCES ON: 2 PLC DEC ± - 3 PLC DEC ± .015 ANGLES ± -		AMP INCORPORATED Harrisburg, Pa. 17105	
MATERIAL SEE TABLE		NAME RECEPTACLE ASSY, ULTRA-FAST PLUS, .187 SERIES, 22-18 AWG	
FINISH SEE TABLE		SIZE B	FSCM NO 00779
		DRAWING NO 520403	
		SCALE 4:1	SHEET 1 OF 1