



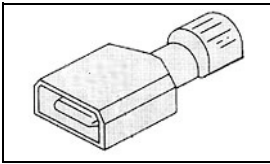
Have a Question?
 Chat with a Product
 Information Specialist

What can we help you find?

[Products](#) |
 [Industries](#) |
 [Resources](#) |
 [About TE](#) |
 [My Account](#) |
 [Innovation](#) |
 [Support Center](#)

2-521103-2 Product Details

[Share](#) |
 [Print](#) |
 [Email](#)



2-521103-2

TE Internal Number: 2-521103-2

Active

View 3D PDF

Ultra-Fast Receptacles & Tabs

Always EU RoHS/ELV Compliant (Statement of Compliance)

Product Highlights:

- Terminal Type = Tab
- Proprietary Name = Ultra-Fast
- Mating Area Interface Dimensions = 4.75 x 0.51 mm
- Brass Material
- Insulation Diameter = 3.43 [.135] Max. mm [in]

[View all Features](#)

Quick Links

- ▶ [Pricing & Availability](#)
- ▶ [Search for Tooling](#)
- ▶ [Product Feature Selector](#)
- ▶ [Contact Us About This Product](#)

[Add to My Part List](#) |
 [Request Sample](#) |
 [Find Similar Products](#) |
 [Buy Product](#)

Documentation & Additional Information

Product Drawings:

- [TAB ASSEMBLY,ULTRA-FAST, 4.75 \[.187\] SERIES,22-18 AWG \(PDF, English\)](#)

Catalog Pages/Data Sheets:

- [Ultra-Fast and Ultra Fast Plus \(PDF, English\)](#)

Product Specifications:

- [Ultra-Fast Fully Insulated FASTON Tab Terminals \(PDF, English\)](#)

Application Specifications:

- None Available

Instruction Sheets:

- None Available

CAD Files: (CAD Format & Compression Information)

- [2D Drawing \(DXF, Version A\)](#)
- [3D Model \(IGES, Version A\)](#)
- [3D Model \(STEP, Version A\)](#)

[List all Documents](#)

Additional Information:

- [Product Line Information](#)

Related Products:

- [Tooling](#)

Product Features (Please use the Product Drawing for all design activity)

Product Type Features:

- Terminal Type = Tab
- [Insulation Support](#) = Non-Insulation Support
- Finish = Tin
- Wire/Cable Type = Regular Wire
- Mount Angle = Straight

Dimensions:

- [Mating Area Interface Dimensions \(mm \[in\]\)](#) = 4.75 x 0.51 [.187 x .020]
- [Insulation Diameter \(mm \[in\]\)](#) = 3.43 [.135] Max.

Body Features:

- Material = Brass
- [Wire Range \(mm \[AWG\]\)](#) = 0.30-0.90² [22-18]
- Tab Type = Wire Crimp
- Fully Insulated = Fully Insulated

Industry Standards:

- [RoHS/ELV Compliance](#) = RoHS compliant, ELV compliant
- [Lead Free Solder Processes](#) = Not relevant for lead free process
- [RoHS/ELV Compliance History](#) = Always was RoHS compliant

Packaging Features:

- [Packaging Method](#) = Loose Piece

Other:

- [Proprietary Name](#) = Ultra-Fast
- Brand = AMP

Corporate Information

- [About TE](#)
- [Investors](#)
- [News Room](#)
- [Supplier Portal](#)
- [Careers](#)

Quick Links

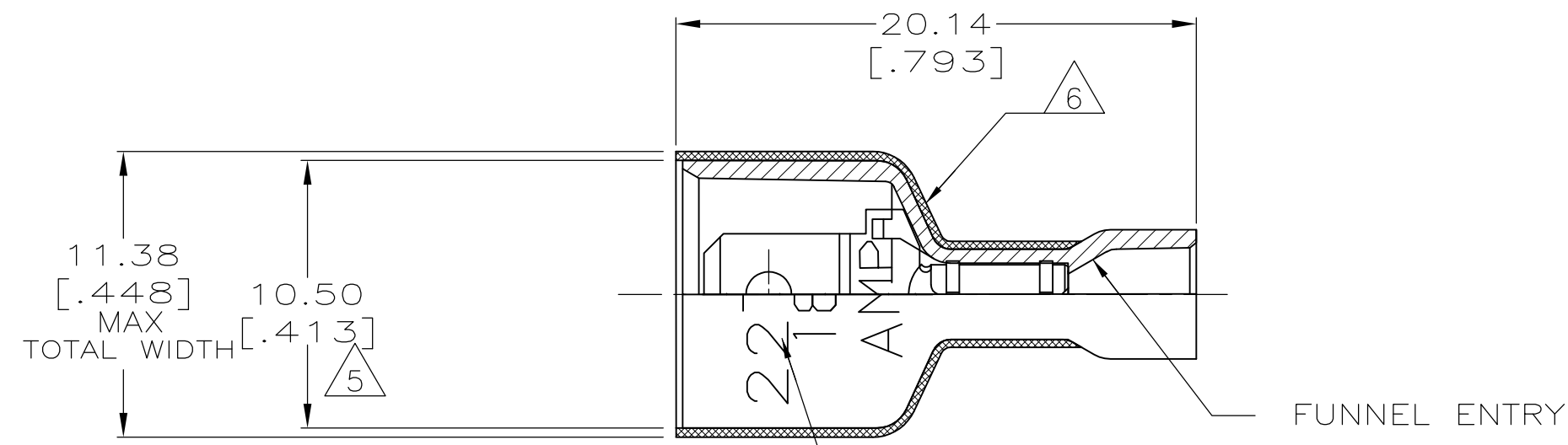
- [Distributor Inventory](#)
- [Product Cross Reference](#)
- [Documents & Drawings](#)
- [Product Compliance Support Center](#)
- [Site Map](#)

Customer Support

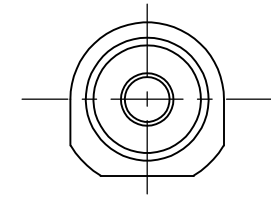
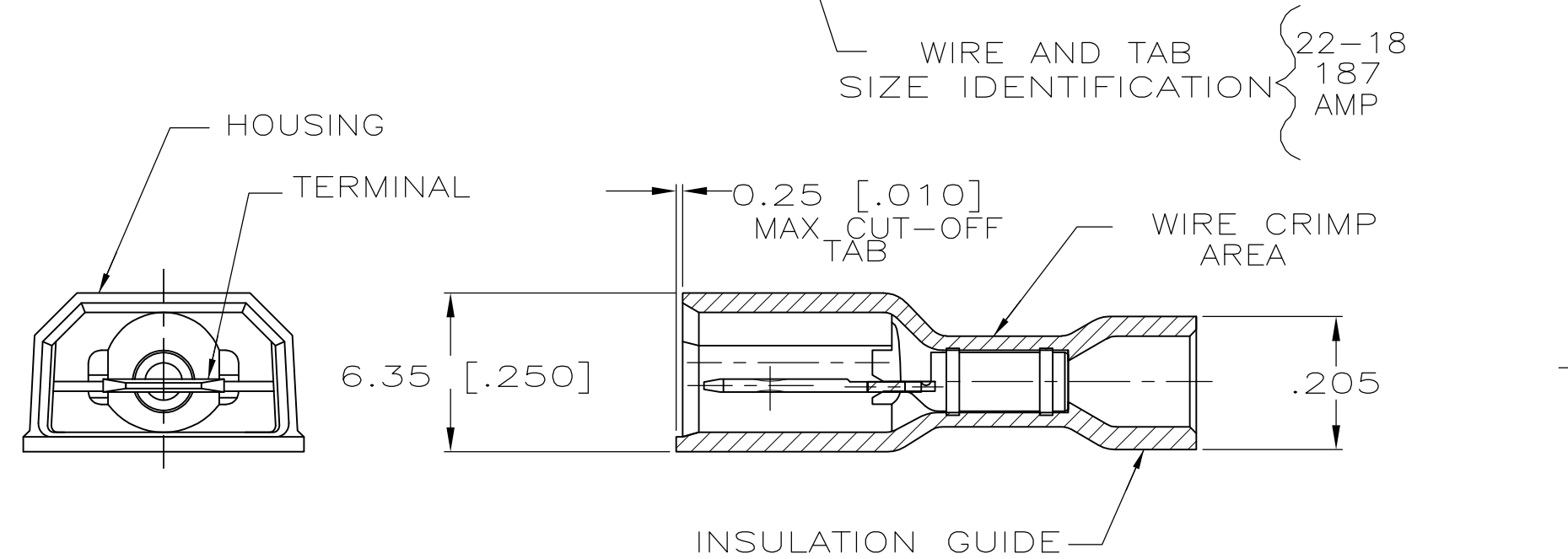
- [Email or Chat With Us](#)
- [Find a Phone Number](#)
- [Knowledge Base](#)
- [Manage Your Account](#)

THIS DRAWING IS UNPUBLISHED. RELEASED FOR PUBLICATION
 © COPYRIGHT - By - ALL RIGHTS RESERVED.

LOC	DIST	REVISIONS			
P	LTR	DESCRIPTION	DATE	DWN	APVD
AF	50	C	REVISED PER ECR-13-004343	30JUL13	KH KR



- 1 TAB DIMENSIONS .020±.001x.187
- 2 WIRE STRIP LENGTH .281
- 3 INSULATION SIZE .135 MAX DIA
- 4 SUPPLIED IN LOOSE PIECE
- 5 DIMENSION DOES NOT INCLUDE TRIM BURR
- 6 0.38[.015] MAX CARRIER TRIM BURR PER SIDE IS ALLOWABLE IN THE SHADED AREA



HOUSING: NYLON, COLOR-RED TRANSLUCENT TAB: BRASS, TIN	2-521103-2
MATERIAL & FINISH	PART NO

THIS DRAWING IS A CONTROLLED DOCUMENT.		DWN	JR RUTH	9/25/95	TE Connectivity NAME TAB ASSEMBLY, ULTRA-FAST, 4.75 [.187] SERIES, 22-18 AWG							
DIMENSIONS: mm [INCHES]		CHK	MS FEHER	9/25/95								
TOLERANCES UNLESS OTHERWISE SPECIFIED:		APVD	J WORMAN	9/25/95								
0 PLC ± - 1 PLC ± - 2 PLC ± 0.38 [.015] 3 PLC ± - 4 PLC ± - ANGLES ± -		PRODUCT SPEC	108-2017									
MATERIAL	SEE TABLE	FINISH	SEE TABLE	APPLICATION SPEC	114-2123							
CUSTOMER DRAWING		WEIGHT	-		SIZE	A3	CAGE CODE	00779	DRAWING NO	C-521103	RESTRICTED TO	-
		SCALE	4:1		SHEET	1 OF 1		REV	C			