

Distributed by:

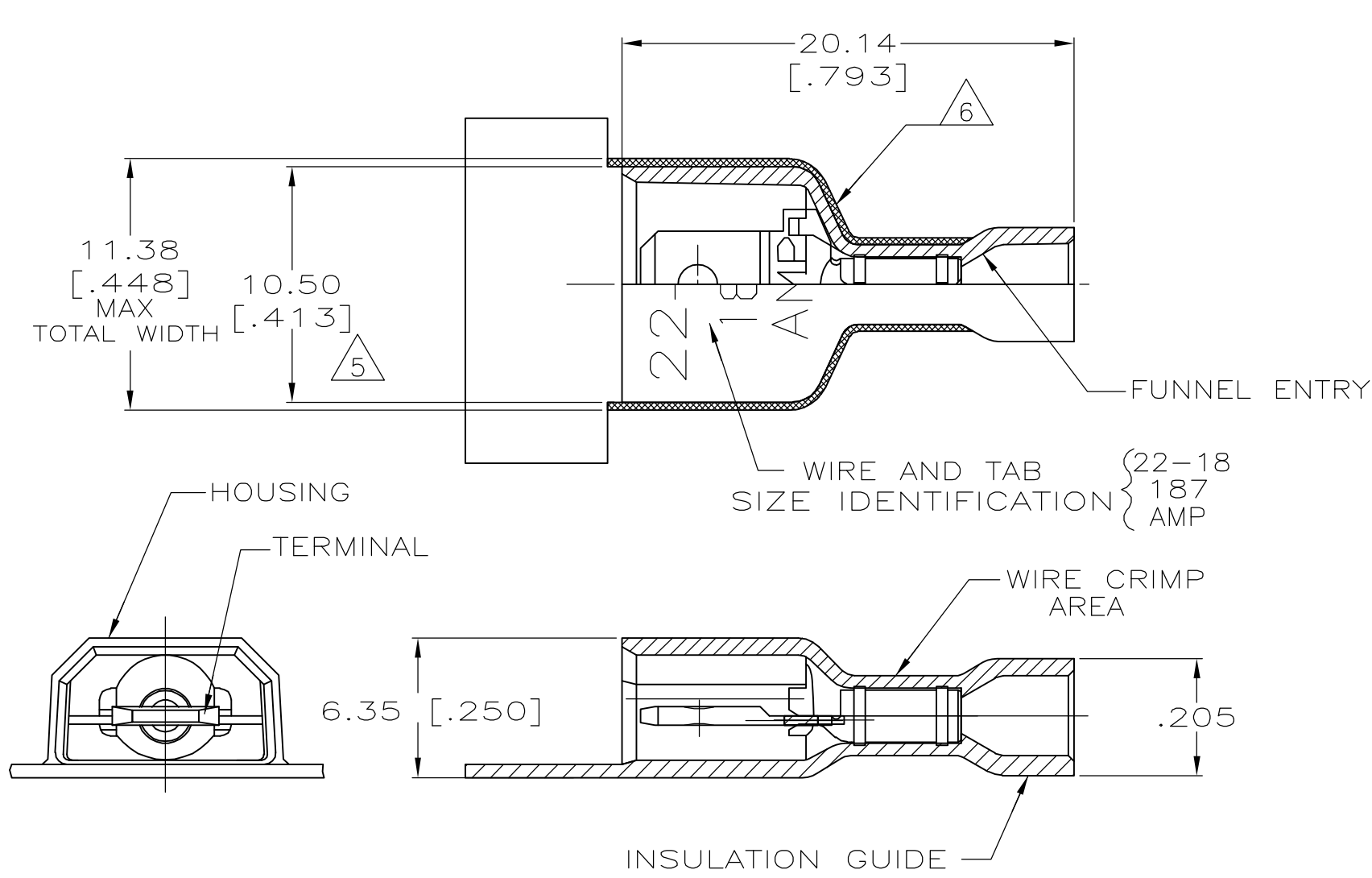
JAMECO[®]
ELECTRONICS

www.Jameco.com ♦ 1-800-831-4242

The content and copyrights of the attached
material are the property of its owner.

Jameco Part Number 910549

LOC	DIST	REVISIONS					
AF	50	P	LTR	DESCRIPTION	DATE	DWN	APVD
			D	REVISED PER ECR-06-009299	30AUG06	HMR	RL



- 1 TAB DIMENSIONS $.032^{+.001}_{-.002}$ x .187
- 2 WIRE STRIP LENGTH .281
- 3 INSULATION SIZE .135 MAX DIA
- 4 CONTINUOUS STRIP ON REELS
- △5 DIMENSION DOES NOT INCLUDE TRIM BURR
- △6 .015 MAX CARRIER TRIM BURR PER SIDE IS ALLOWABLE IN THE SHADED AREA

HOUSING: NYLON, COLOR-RED TRANSLUCENT TAB: #3 HARD BRASS, TIN .000080 MIN	2-521104-2
MATERIAL & FINISH	PART NO

THIS DRAWING IS A CONTROLLED DOCUMENT.		DWN	JR RUTH	9/25/95	 Tyco Electronics Corporation Harrisburg, PA 17105-3608				
DIMENSIONS: mm [INCHES]		CHK	MS FEHER	9/25/95					
TOLERANCES UNLESS OTHERWISE SPECIFIED:		APVD	J WORMAN	9/25/95					
0 PLC ± - 1 PLC ± - 2 PLC ± 0.38 [.015] 3 PLC ± - 4 PLC ± - ANGLES ± -		PRODUCT SPEC	108-2017						
MATERIAL SEE TABLE		FINISH	SEE TABLE		NAME	TAB ASSEMBLY, ULTRA-FAST, 4.75 [.187] SERIES, 22-18 AWG			
		WEIGHT	-		SIZE	A3	CAGE CODE	00779	
		CUSTOMER DRAWING			DRAWING NO	C=521104		RESTRICTED TO	-
		SCALE	4:1		SHEET	1 of 1		REV	D