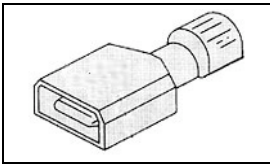


2-521192-2 Product Details

[Share](#) [Print](#) [Email](#)



2-521192-2

TE Internal Number: 2-521192-2
Active

[View 3D PDF](#)

Ultra-Fast Receptacles & Tabs

Always EU RoHS/ELV Compliant (Statement of Compliance)

Product Highlights:

- Terminal Type = Tab
- Proprietary Name = Ultra-Fast
- Mating Area Interface Dimensions = 6.35 x 0.81 mm
- Brass Material
- Insulation Diameter = 5.84 [.230] Max. mm [in]

[View all Features](#)

Quick Links

- [Pricing & Availability](#)
- [Search for Tooling](#)
- [Product Feature Selector](#)
- [Contact Us About This Product](#)

[Add to My Part List](#) [Request Sample](#) [Find Similar Products](#) [Buy Product](#)

Documentation & Additional Information

Product Drawings:

- [TAB ASSEMBLY, LID, ULTRA-FAST, LOOSE PIECE, .250 SER...](#) (PDF, English)

Catalog Pages/Data Sheets:

- [Ultra-Fast and Ultra Fast Plus](#) (PDF, English)

Product Specifications:

- [Ultra-Fast Fully Insulated FASTON Tab Terminals](#) (PDF, English)

Application Specifications:

- None Available

Instruction Sheets:

- None Available

CAD Files: [\(CAD Format & Compression Information\)](#)

- [2D Drawing](#) (DXF, Version A)
- [3D Model](#) (IGES, Version A)
- [3D Model](#) (STEP, Version A)

[List all Documents](#)

Additional Information:

- [Product Line Information](#)

Related Products:

- [Tooling](#)

Product Features (Please use the Product Drawing for all design activity)

Product Type Features:

- [Insulation Support](#) = Non-Insulation Support
- Finish = Tin
- Wire/Cable Type = Regular Wire
- Mount Angle = Straight

Dimensions:

- [Mating Area Interface Dimensions](#) (mm [in]) = 6.35 x 0.81 [.250 x .032]
- [Insulation Diameter](#) (mm [in]) = 5.84 [.230] Max.

Body Features:

- [Material](#) = Brass
- [Wire Range](#) (mm [AWG]) = 0.30-0.90² [22-18]
- Tab Type = Wire Crimp
- Fully Insulated = Fully Insulated

Contact Features:

- Terminal Type = Tab

Industry Standards:

- [RoHS/ELV Compliance](#) = RoHS compliant, ELV compliant
- [Lead Free Solder Processes](#) = Not relevant for lead free process
- [RoHS/ELV Compliance History](#) = Always was RoHS compliant

Packaging Features:

- [Packaging Method](#) = Loose Piece/Bulk

Other:

- [Proprietary Name](#) = Ultra-Fast
- Brand = AMP

Corporate Information

- [About TE](#)
- [Investors](#)
- [News Room](#)
- [Supplier Portal](#)
- [Careers](#)
- [Terms & Conditions](#)
- [Privacy Policy](#)

Quick Links

- [Distributor Inventory](#)
- [Product Cross Reference](#)
- [Documents & Drawings](#)
- [Product Compliance Support Center](#)
- [Site Map](#)

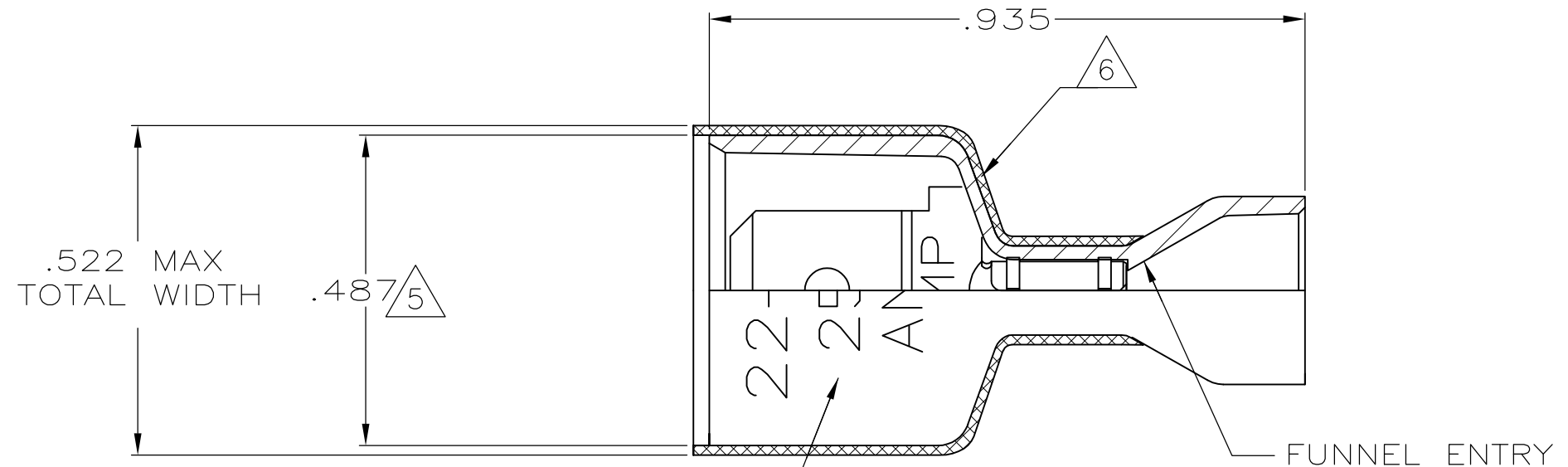
Customer Support

- [Email or Chat With Us](#)
- [Find a Phone Number](#)
- [Knowledge Base](#)
- [Manage Your Account](#)

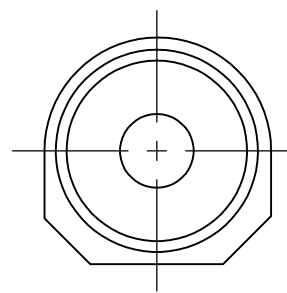
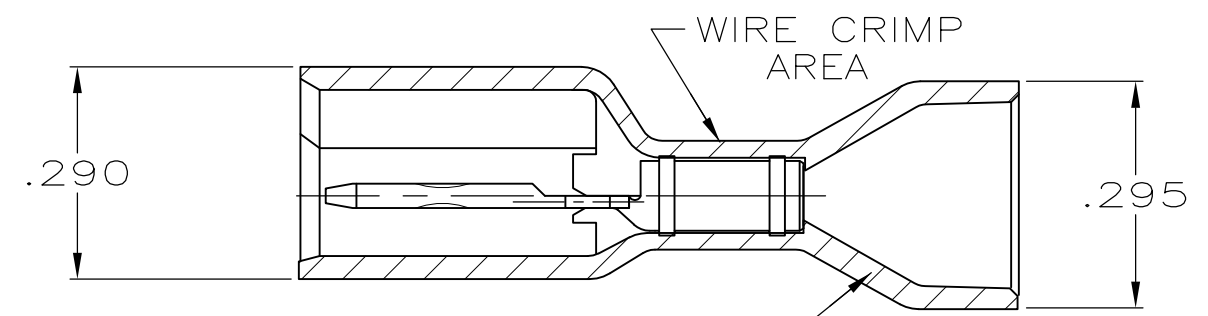
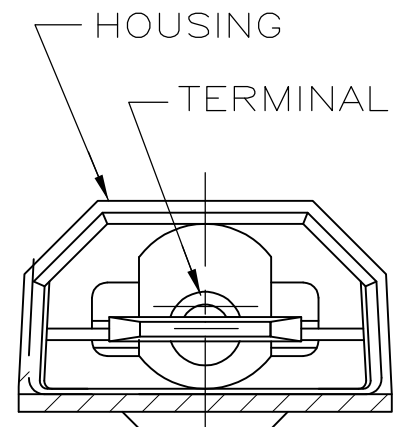
Keep Me Informed

THIS DRAWING IS UNPUBLISHED. RELEASED FOR PUBLICATION
 © COPYRIGHT - By - ALL RIGHTS RESERVED.

LOC	DIST	REVISIONS			
P	LTR	DESCRIPTION	DATE	DWN	APVD
AF	50	C	REVISED PER ECR-13-004343	30JUL13	KH KR



- 1 TAB DIMENSIONS .032±.001x.250
- 2 WIRE STRIP LENGTH .281
- 3 INSULATION SIZE .230 MAX DIA
- 4 SUPPLIED IN LOOSE PIECE.
- 5 DIMENSION DOES NOT INCLUDE TRIM BURR
- 6 .015 MAX CARRIER TRIM BURR PER SIDE IS ALLOWABLE IN THE SHADED AREA



HOUSING: NYLON, COLOR-RED TRANSLUCENT TAB: BRASS, TIN	2-521192-2
MATERIAL & FINISH	PART NUMBER

THIS DRAWING IS A CONTROLLED DOCUMENT.		DWN	JR RUTH	9FEB99	STE TE Connectivity											
DIMENSIONS: INCHES		CHK	MS FEHER	9FEB99												
TOLERANCES UNLESS OTHERWISE SPECIFIED:		APVD	J HUMMEL	9FEB99												
<table border="1"> <tr><td>0 PLC</td><td>± -</td></tr> <tr><td>1 PLC</td><td>± -</td></tr> <tr><td>2 PLC</td><td>± -</td></tr> <tr><td>3 PLC</td><td>± .015</td></tr> <tr><td>4 PLC</td><td>± -</td></tr> <tr><td>ANGLES</td><td>± -</td></tr> </table>		0 PLC	± -	1 PLC		± -	2 PLC	± -	3 PLC	± .015	4 PLC	± -	ANGLES	± -	PRODUCT SPEC	NAME
0 PLC	± -															
1 PLC	± -															
2 PLC	± -															
3 PLC	± .015															
4 PLC	± -															
ANGLES	± -															
MATERIAL SEE TABLE		FINISH	SEE TABLE		TAB ASSEMBLY, LID, ULTRA-FAST, LOOSE PIECE, .250 SERIES, 22-18 AWG											
SEE TABLE		SEE TABLE		RESTRICTED TO												
		108-2017	SIZE		A3 00779 C-521192											
		114-2123	CAGE CODE	DRAWING NO												
		CUSTOMER DRAWING	SCALE 4:1		SHEET 1 OF 1											
			REV C													