

## 2-5221128-3 Product Details

[Share](#) [Print](#) [Email](#)




**2-5221128-3**

TE Internal Number: 2-5221128-3

 Active

[View 3D PDF](#)

### BNC RF Connectors

 Always EU RoHS/ELV Compliant  
(Statement of Compliance)

### Product Highlights:

- Connector - RF
- Plug
- Connector Style = Plug
- Applies To Coaxial Cable
- Coaxial Cable Termination Type = Crimp

[View all Features](#)

### Quick Links

- ▶ [Pricing & Availability](#)
- ▶ [Search for Tooling](#)
- ▶ [Product Feature Selector](#)
- ▶ [Contact Us About This Product](#)

[Add to My Part List](#)

[Request Sample](#)

[Find Similar Products](#)

[Buy Product](#)

### Documentation & Additional Information

#### Product Drawings:

- [PLUG, COMMERCIAL BNC](#) (PDF, English)

#### Catalog Pages/Data Sheets:

- [BNC Connectors](#) (PDF, English)

#### Product Specifications:

- None Available

#### Application Specifications:

- None Available

#### Instruction Sheets:

- None Available

#### CAD Files: (CAD Format & Compression Information)

- [2D Drawing](#) (DXF, Version A1)
- [3D Model](#) (IGES, Version A1)
- [3D Model](#) (STEP, Version A1)

[List all Documents](#)

#### Related Products:

- [Tooling](#)

### Product Features (Please use the Product Drawing for all design activity)

#### Product Type Features:

- [Product Type](#) = Connector - RF
- [Gender](#) = Plug
- [Grade](#) = Commercial
- [Sealed](#) = No
- [Isolated](#) = No
- [Dielectric Material](#) = Polyethylene
- [Coupling Nut Material](#) = Brass

#### Mechanical Attachment:

- [Surface Mountable](#) = No
- [Hardware Included](#) = No
- [Panel Mount Retention](#) = Without

#### Electrical Characteristics:

- [Connector Impedance](#) ( $\Omega$ ) = 50

#### Termination Features:

#### Contact Features:

- [Center Contact Material](#) = Brass
- [Center Contact Plating](#) = Gold

#### Housing Features:

- [Connector Style](#) = Plug

#### Configuration Features:

- [Coaxial Cable Type](#) (RG/U or Mfg.) = 179, 187
- [Number of Ports](#) = 1
- [Solder Terminal](#) = Without

#### Industry Standards:

- [Government/Industry Qualification](#) = No
- [RoHS/ELV Compliance](#) = RoHS compliant, ELV compliant
- [Lead Free Solder Processes](#) = Not relevant for lead free process
- [RoHS/ELV Compliance History](#) = Always was RoHS

- [Coaxial Cable Termination Type](#) = Crimp
- [Crimp Type](#) = Hex

**Body Features:**

- [Body Style](#) = Straight
- [Body Plating](#) = Nickel
- [Body Insulation](#) = Without
- [Polarized](#) = No

compliant

**Conditions for Usage:**

- [Applies To](#) = Coaxial Cable

**Other:**

- [Brand](#) = AMP

---

**Corporate Information**

- [About TE](#)
- [Investors](#)
- [News Room](#)
- [Supplier Portal](#)
- [Careers](#)
- [Terms & Conditions](#)
- [Privacy Policy](#)

**Quick Links**

- [Distributor Inventory](#)
- [Product Cross Reference](#)
- [Documents & Drawings](#)
- [Product Compliance Support Center](#)
- [Site Map](#)

**Customer Support**

- [Email or Chat With Us](#)
- [Find a Phone Number](#)
- [Knowledge Base](#)
- [Manage Your Account](#)

**Keep Me Informed**



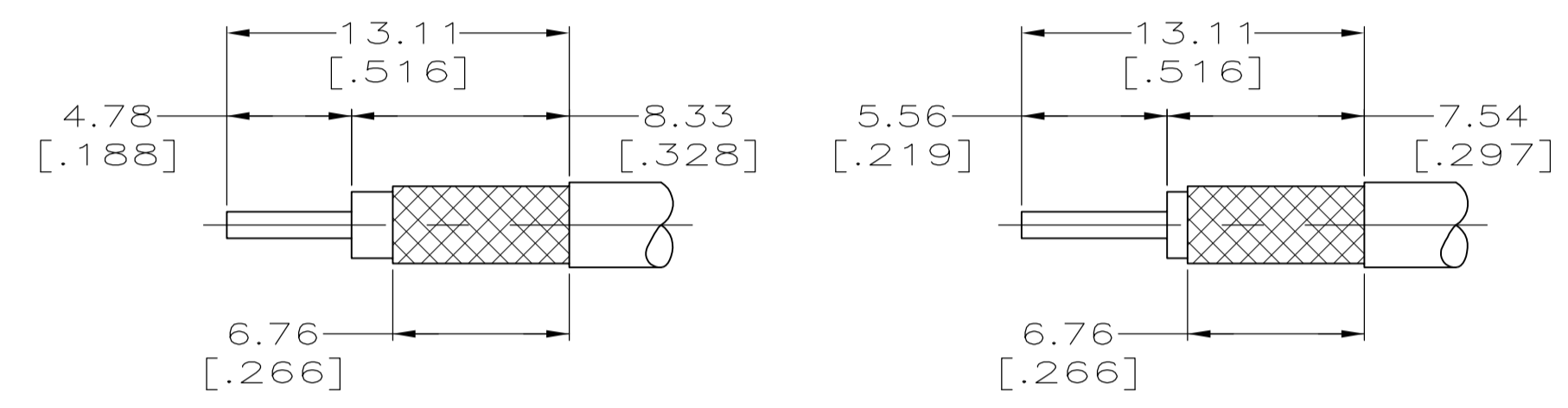
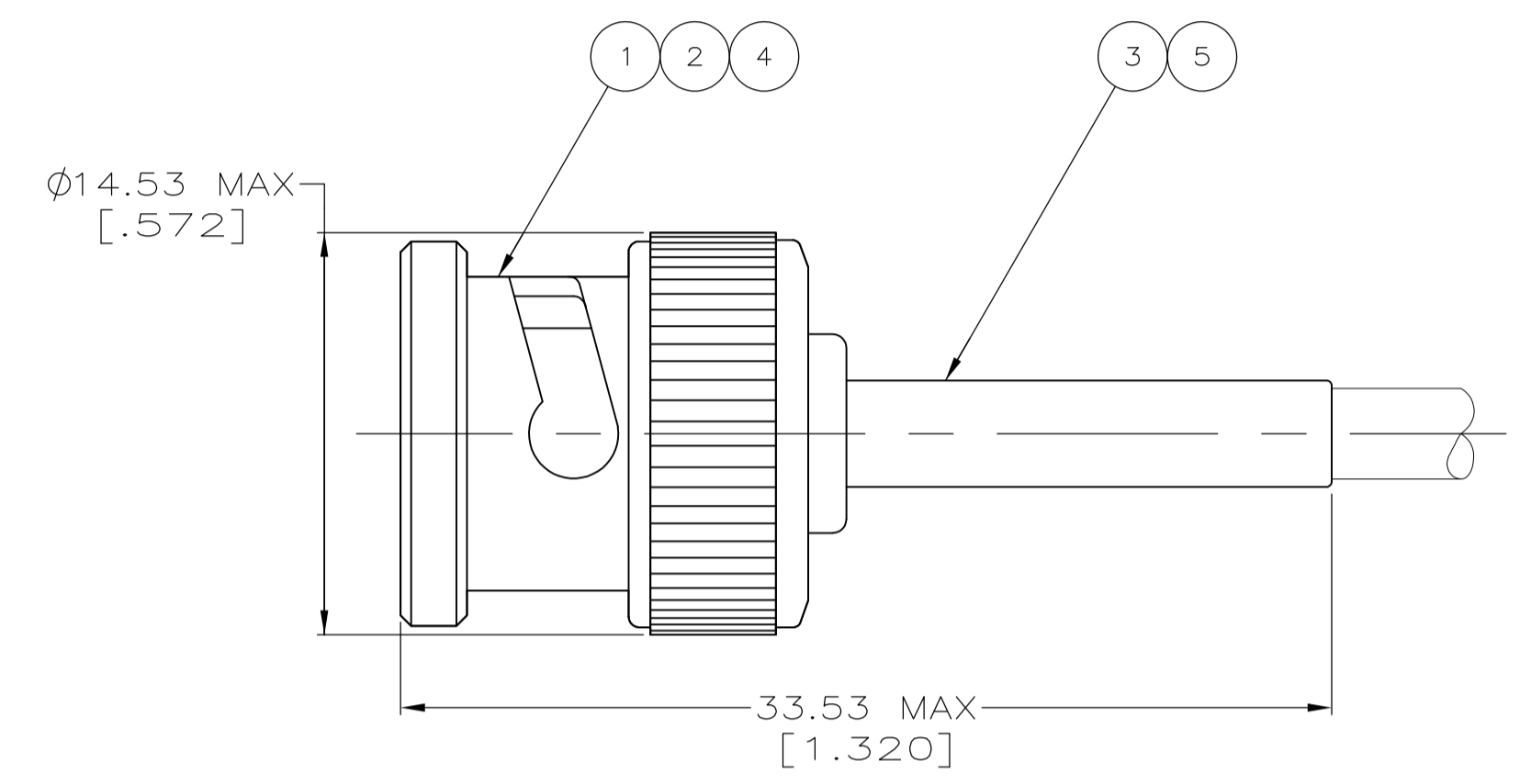


FIGURE 1  
FIGURE 2  
RECOMMENDED STRIP LENGTH

- ⚠ CABLE USED WITHOUT SPACER
- ⚠ CABLE USED WITH SPACER
- 3. SEE INSTRUCTION SHEET 408-9021
- 4. PARTS PACKAGED UNASSEMBLED
- ⚠ USE WITH PRO-CRIMPER 354940-1.
- ⚠ SPECIAL PACKAGING: INDIVIDUALLY PACKAGED IN PRE-PRINTED BAG WITH SPECIAL GRAPHICS
- ⚠ BULK KIT PACKAGING 25 PIECES
- ⚠ BULK KIT PACKAGING 100 PIECES
- ⚠ OBSOLETE PARTS: OBSOLETE CIS STREAMLINING PER D.RENAUD/D.SINISI

⚠ OBSOLETE	JIS CABLE 3D-2V	⚠	5.41 [.213]	1.73 [.068]	58436-1	FIG 1	-	-	8-221132-9	1-222246-6	9-413636-3	3-5221128-1
	BELDEN 9907, 89907 & RG-141/U	⚠	5.41 [.213]	1.73 [.068]	58436-1	FIG 1	-	-	9-221132-0	1-222246-6	9-413636-0	2-5221128-7
	RG-179/U, 187/U	⚠	4.52 [.178]	1.73 [.068]	58436-3	FIG 1	227194-1	-	9-413658-0	1-222246-3	9-413636-2	2-5221128-3
	RG-174/U, 188/U, 316/U	⚠	4.52 [.178]	1.73 [.068]	58436-3	FIG 1	227194-1	-	9-413658-0	1-222246-0	9-413636-2	2-5221128-1
	RG-59/U, 59A/U, 59B/U	⚠	6.48 [.255]	1.73 [.068]	58436-1	FIG 1	-	227423-1	9-221132-1	222246-6	9-413636-1	4-5221128-8
	BELDEN 9266	⚠	6.48 [.255]	1.73 [.068]	58436-1	FIG 1	-	-	9-221132-1	222246-2	9-413636-1	1-5221128-7
	RG-62/U, 62A/U, 62B/U	⚠	6.48 [.255]	1.73 [.068]	58436-1	FIG 2	-	227423-1	9-221132-1	222246-4	9-413636-1	1-5221128-1
	RG-59/U, 59A/U, 59B/U	⚠	6.48 [.255]	1.73 [.068]		FIG 1	-	-	-	-	-	-
	RG-58/U, 58A/U, 58B/U, 58C/U	⚠	5.41 [.213]	1.73 [.068]	58436-1	FIG 1	-	-	9-221132-0	222246-2	9-413636-0	1-5221128-0
	RG-62/U, 62A/U, 62B/U	⚠	6.48 [.255]	1.73 [.068]	58436-1	FIG 2	-	227423-1	9-221132-1	222246-4	9-413636-1	5221128-2
	RG-59/U, 59A/U, 59B/U	⚠	6.48 [.255]	1.73 [.068]		FIG 1	-	-	-	-	-	-
	RG-58/U, 58A/U, 58B/U, 58C/U	⚠	5.41 [.213]	1.73 [.068]	58436-1	FIG 1	-	-	9-221132-0	222246-2	9-413636-0	5221128-1
	FOR USE WITH CABLE	PACKAGING	FERRULE CONTACT HEX CRIMP HEIGHTS		DIE SET	STRIP LENGTH	TUBING QTY=1	SPACER QTY=1	FERRULE QTY=1	CONTACT, PLUG QTY=1	PLUG ASSEMBLY QTY=1	PART NUMBER

THIS DRAWING IS A CONTROLLED DOCUMENT.

DIMENSIONS: mm [INCHES]	TOLERANCES UNLESS OTHERWISE SPECIFIED:	DIN J. ALCORTA - DOCK 5 21APR2005	 TE Connectivity
0 PLC ± - 1 PLC ± - 2 PLC ± 0.41 [016] 3 PLC ± - 4 PLC ± - ANGLES ± -		CJK J. HAVENER 21APR2005 APVD J. LIPPERT 21APR2005 PRODUCT SPEC APPLICATION SPEC	
MATERIAL	FINISH	SIZE	RESTRICTED TO
		A1 00779 C=5221128	
CUSTOMER DRAWING		SCALE 4:1	SHEET 1 OF 1 REV A3