

PART NUMBER	HOUSING COLOR	CONTACT PLATING
530153-1	NATURAL	0.000762 [.000030] GOLD
530153-2	BLACK	
530153-4	YELLOW	
530153-6	BLUE	
1-530153-2	BLACK	0.00127 [.000050] GOLD
2-530153-2	BLACK	0.00254 [.000100] TIN
3-530153-2	BLACK	0.000381 [.000015] GOLD

Figure 1

1. INTRODUCTION

This instruction sheet covers installation procedures for the AMP* Tandem Spring Shunt Connector listed in Figure 1. This connector is used for mating, commoning, or shorting two 0.64-mm [.025-in.] square posts on 2.54-mm [.100-in.] centerline.

NOTE

All dimensions are in millimeters [with inches in brackets].

Reasons for reissue are provided in Section 5, REVISION SUMMARY.

2. DESCRIPTION

Each shunt connector consists of a 94 V-O rated nylon housing (standard is black in color, other colors available) preloaded with two receptacle contacts of phosphor bronze material.

3. INSTALLING SHUNTS (Figure 2)

Determine which posts are to be commoned. Fingers or needle-nose pliers may be used. Align connector over posts and push connector straight down onto posts until bottomed.

CAUTION

Care should be taken when using pliers; excessive force applied to sides of connector could cause shunt housing or contact damage.

4. REMOVING SHUNTS

Fingers or needle-nose pliers may be used to pull straight up on connector.

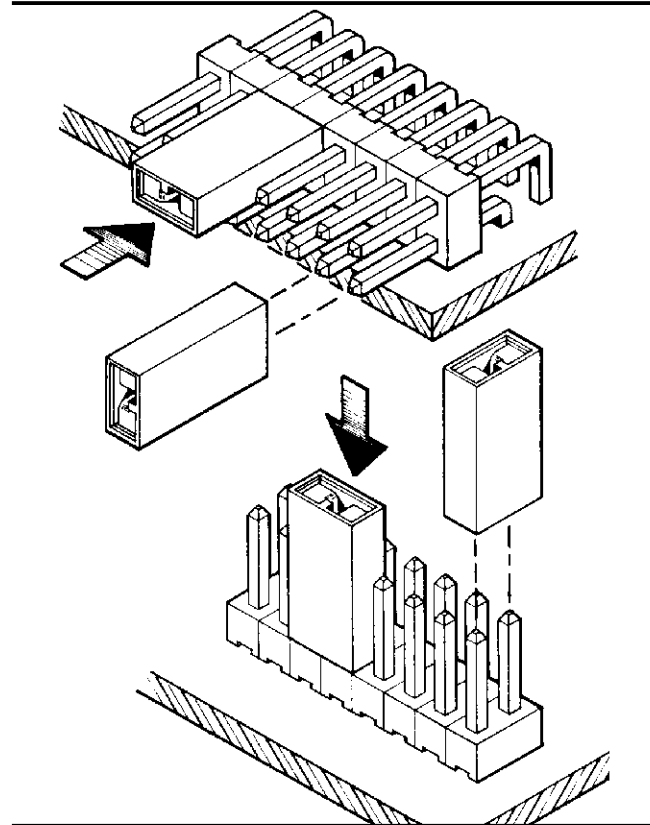


Figure 2

5. REVISION SUMMARY

Since the previous release of this instruction sheet, the following changes have been made:

Per EC 0990-1000-98

- Removed part numbers 1-530153-0 and 2-530153-1
- Updated format