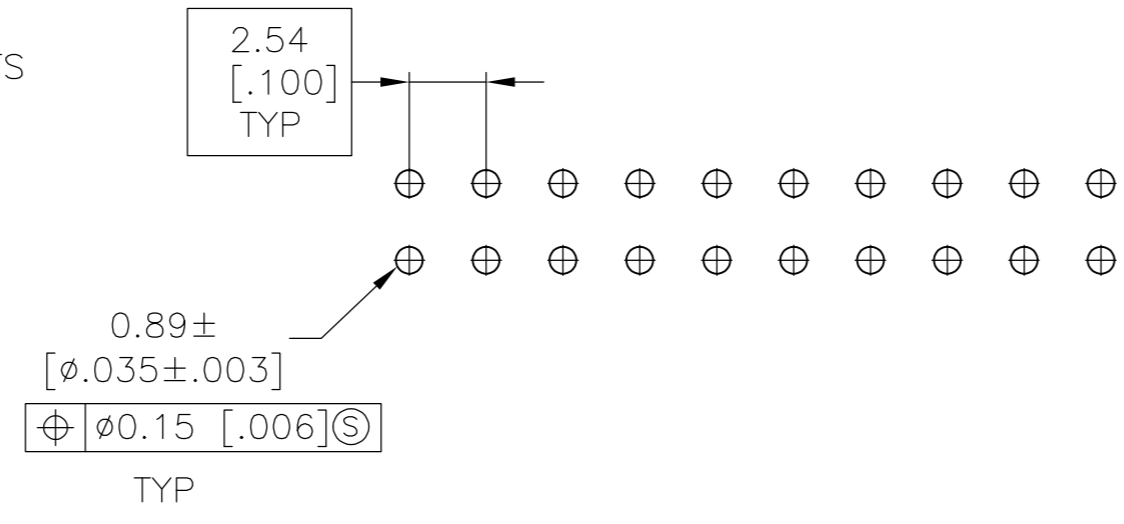
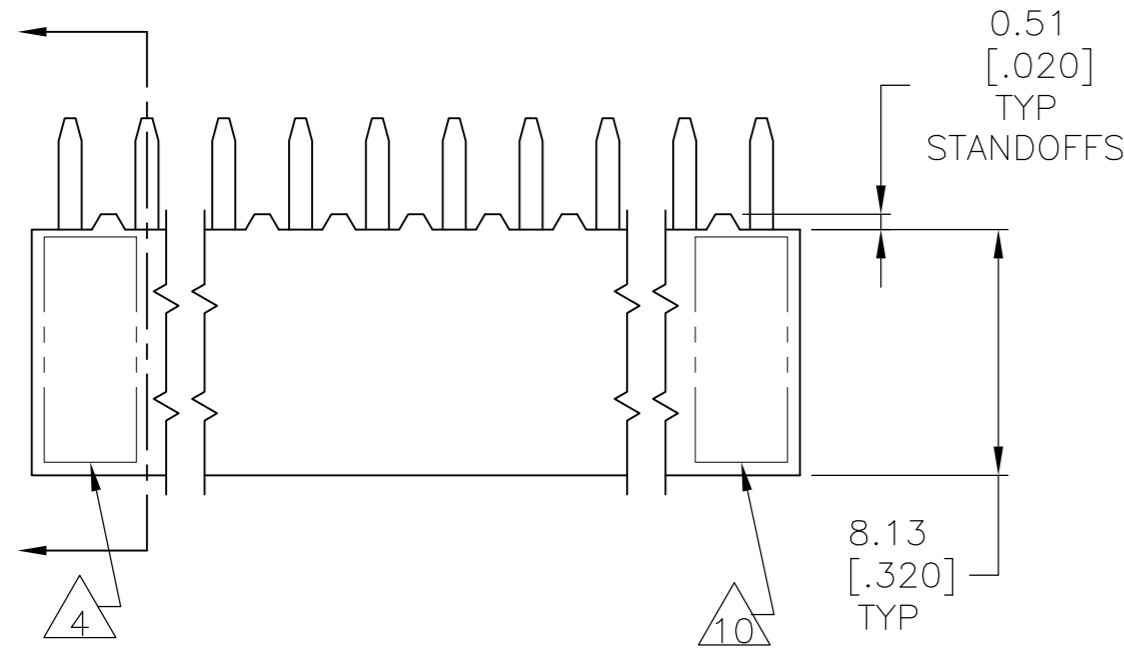
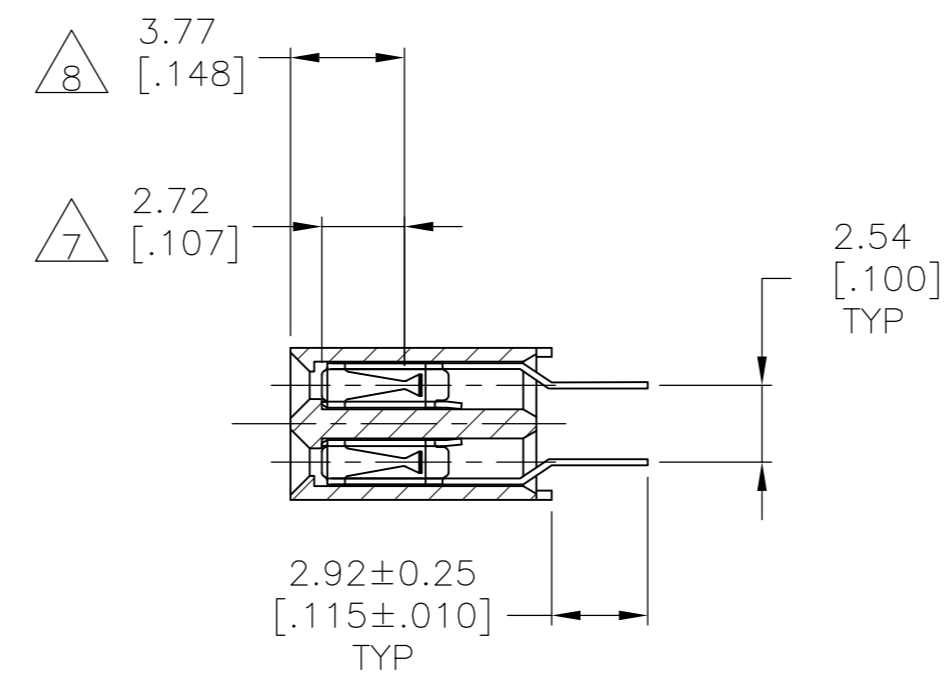
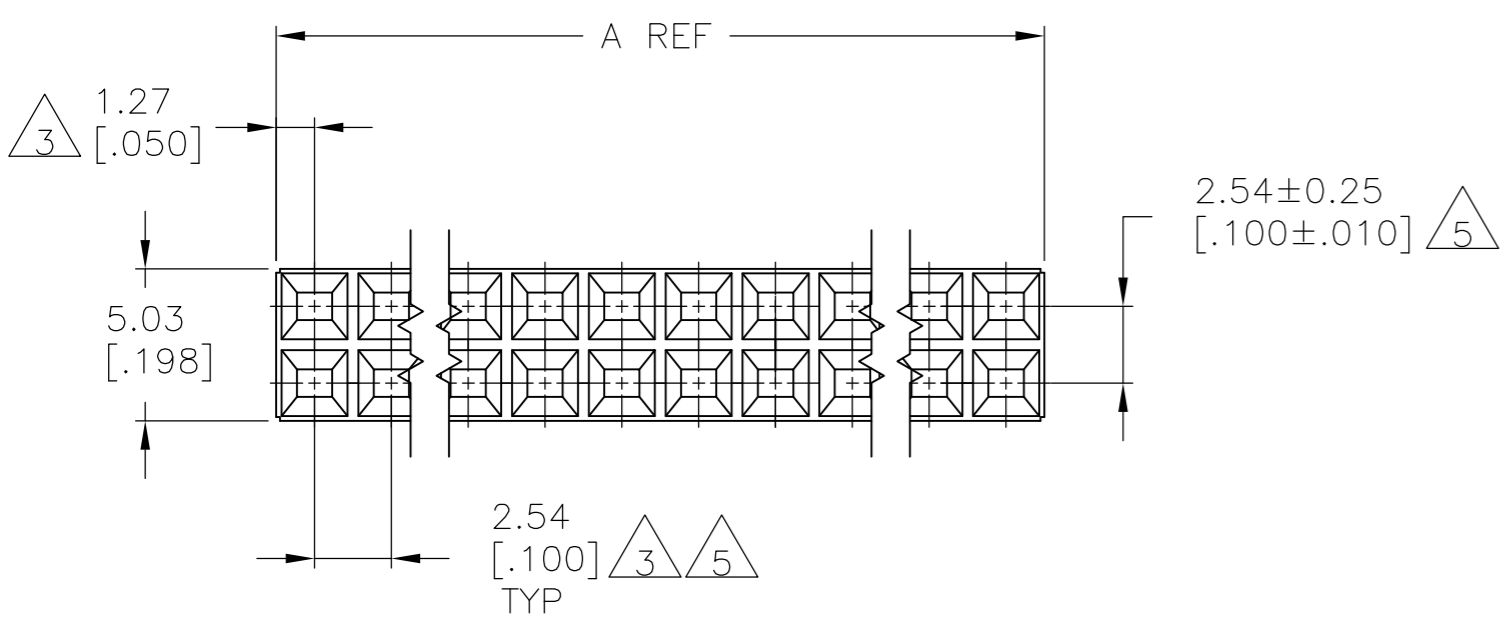


THIS DRAWING IS UNPUBLISHED. RELEASED FOR PUBLICATION
 © COPYRIGHT BY TYCO ELECTRONICS CORPORATION. ALL RIGHTS RESERVED.

| LOC | | DIST | | REVISIONS | | | | |
|-----|-----|-------------|---------------------------|-----------|------|---------|------|----|
| P | LTR | DESCRIPTION | | | DATE | DWN | APVD | |
| AD | 00 | R2 | REVISED PER ECO-08-019092 | | | 05AUG08 | HMR | JO |



RECOMENDED PC BOARD HOLE PATTERN
 PC BOARD THICKNESS 1.57[.062]



| | | | | |
|---|---------------|----------------|----|------------|
| 2 | 99.06 [3.900] | 101.60 [4.000] | 80 | 4-534206-0 |
| 2 | 96.52 [3.800] | 99.06 [3.900] | 78 | 3-534206-9 |
| 2 | 93.98 [3.700] | 96.52 [3.800] | 76 | 3-534206-8 |
| 2 | 91.44 [3.600] | 93.98 [3.700] | 74 | 3-534206-7 |
| 2 | 88.90 [3.500] | 91.44 [3.600] | 72 | 3-534206-6 |
| 2 | 86.36 [3.400] | 88.90 [3.500] | 70 | 3-534206-5 |
| 2 | 83.82 [3.300] | 86.36 [3.400] | 68 | 3-534206-4 |
| 2 | 81.28 [3.200] | 83.82 [3.300] | 66 | 3-534206-3 |
| 2 | 78.74 [3.100] | 81.28 [3.200] | 64 | 3-534206-2 |
| 2 | 76.20 [3.000] | 78.74 [3.100] | 62 | 3-534206-1 |
| 2 | 73.66 [2.900] | 76.20 [3.000] | 60 | 3-534206-0 |
| 2 | 71.12 [2.800] | 73.66 [2.900] | 58 | 2-534206-9 |
| 2 | 68.58 [2.700] | 71.12 [2.800] | 56 | 2-534206-8 |
| 2 | 66.04 [2.600] | 68.58 [2.700] | 54 | 2-534206-7 |
| 2 | 63.50 [2.500] | 66.04 [2.600] | 52 | 2-534206-6 |
| 2 | 60.96 [2.400] | 63.50 [2.500] | 50 | 2-534206-5 |
| 2 | 58.42 [2.300] | 60.96 [2.400] | 48 | 2-534206-4 |
| 2 | 55.88 [2.200] | 58.42 [2.300] | 46 | 2-534206-3 |
| 2 | 53.34 [2.100] | 55.88 [2.200] | 44 | 2-534206-2 |
| 2 | 50.80 [2.000] | 53.34 [2.100] | 42 | 2-534206-1 |
| 2 | 48.26 [1.900] | 50.80 [2.000] | 40 | 2-534206-0 |
| 2 | 45.72 [1.800] | 48.26 [1.900] | 38 | 1-534206-9 |
| 2 | 43.18 [1.700] | 45.72 [1.800] | 36 | 1-534206-8 |
| 2 | 40.64 [1.600] | 43.18 [1.700] | 34 | 1-534206-7 |
| 2 | 38.10 [1.500] | 40.64 [1.600] | 32 | 1-534206-6 |
| 2 | 35.56 [1.400] | 38.10 [1.500] | 30 | 1-534206-5 |
| 2 | 33.02 [1.300] | 35.56 [1.400] | 28 | 1-534206-4 |
| 2 | 30.48 [1.200] | 33.02 [1.300] | 26 | 1-534206-3 |
| 2 | 27.94 [1.100] | 30.48 [1.200] | 24 | 1-534206-2 |
| 2 | 25.40 [1.000] | 27.94 [1.100] | 22 | 1-534206-1 |
| 2 | 22.86 [.900] | 25.40 [1.000] | 20 | 1-534206-0 |
| 2 | 20.32 [.800] | 22.86 [.900] | 18 | 534206-9 |
| 2 | 17.78 [.700] | 20.32 [.800] | 16 | 534206-8 |
| 2 | 15.24 [.600] | 17.78 [.700] | 14 | 534206-7 |
| 2 | 12.70 [.500] | 15.24 [.600] | 12 | 534206-6 |
| 2 | 10.16 [.400] | 12.70 [.500] | 10 | 534206-5 |
| 2 | 7.62 [.300] | 10.16 [.400] | 8 | 534206-4 |
| 2 | 5.08 [.200] | 7.62 [.300] | 6 | 534206-3 |
| 2 | 2.54 [.100] | 5.08 [.200] | 4 | 534206-2 |
| 2 | - | 2.54 [.100] | 2 | 534206-1 |

- 1 HOUSING: FLAME RETARDANT, GLASS FILLED, POLYESTER, COLOR: BLACK. CONTACT: PHOSPHOR BRONZE
- 2 CONTACT: DUPLEX PLATED 0.76µm[.000030] GOLD IN CONTACT AREA, 3.81-7.62µm[.000150-.000300] BRIGHT TIN-LEAD ON LEADS ALL OVER 1.27µm[.000050] MINIMUM NICKEL
- 3 THESE DIMENSIONS PERTAIN TO CAVITY CENTERLINES ONLY - NOT TO CONTACT LOCATIONS
- 4 PART NUMBER AND DATE CODE ARE MARKED IN APPROXIMATE LOCATION SHOWN.
- 5 TOLERANCE IS NON-CUMULATIVE.
- 6 2 POSITION DATE CODE IS MARKED OPPOSITE SIDE OF TE LOGO.
- 7 POINT-OF-MEASUREMENT DIMENSION FOR PLATING THICKNESS (INSIDE CONTACT BEAM).
- 8 POINT-OF-CONTACT DIMENSION.
- 9 NO PART NUMBER MARKING REQUIRED FOR THIS PART.
- 10 TE LOGO AND CSA LOGO ARE MOLDED INTO HOUSING.
- 11 CONTACT: DUPLEX PLATED 0.76µm[.000030] MIN GOLD IN CONTACT AREA, 3.81-7.62µm[.000150-.000300] MATTE TIN ON LEADS ALL OVER 1.27µm[.000050] MIN NICKEL
- 12 ROHS 2002 /95/EC COMPLIANT.

| | | | | |
|--|--|------------------------|---|---|
| THIS DRAWING IS A CONTROLLED DOCUMENT. | | DWN M.BINNER 06NOV2002 | Tyco Electronics Corporation Harrisburg, Pa 17105-3608 | |
| DIMENSIONS: mm [INCHES] | | CHK J.OLSON 06NOV02 | NAME | |
| TOLERANCES UNLESS OTHERWISE SPECIFIED: | | APVD J.OLSON 06NOV02 | PRODUCT SPEC | |
| 0 PLC ± - | | 108-25022 | | SIZE CAGE CODE DRAWING NO RESTRICTED TO |
| 1 PLC ± - | | APPLICATION SPEC | | |
| 2 PLC ± 0.13[.005] | | 114-25018 | | A2 00779 C=534206 |
| 3 PLC ± - | | WEIGHT - | | SCALE 4:1 SHEET 1 OF 2 REV R2 |
| 4 PLC ± - | | CUSTOMER DRAWING | | |
| ANGLES ± - | | | | |
| FINISH | | | | |

THIS DRAWING IS UNPUBLISHED. RELEASED FOR PUBLICATION
 © COPYRIGHT BY TYCO ELECTRONICS CORPORATION. ALL RIGHTS RESERVED.

| LOC | DIST | REVISIONS | | | |
|-----|------|-------------|------|-----|------|
| P | LTR | DESCRIPTION | DATE | DWN | APVD |
| | | SEE SHEET 1 | | | |

| FINISH | B | A | NO OF POSN | PART NUMBER |
|--------|--------------|---------------|------------|-------------|
| 11 | 99.06[3.900] | 101.60[4.000] | 80 | 9-534206-0 |
| 11 | 96.52[3.800] | 99.06[3.900] | 78 | 8-534206-9 |
| 11 | 93.98[3.700] | 96.52[3.800] | 76 | 8-534206-8 |
| 11 | 91.44[3.600] | 93.98[3.700] | 74 | 8-534206-7 |
| 11 | 88.90[3.500] | 91.44[3.600] | 72 | 8-534206-6 |
| 11 | 86.36[3.400] | 88.90[3.500] | 70 | 8-534206-5 |
| 11 | 83.82[3.300] | 86.36[3.400] | 68 | 8-534206-4 |
| 11 | 81.28[3.200] | 83.82[3.300] | 66 | 8-534206-3 |
| 11 | 78.74[3.100] | 81.28[3.200] | 64 | 8-534206-2 |
| 11 | 76.20[3.000] | 78.74[3.100] | 62 | 8-534206-1 |
| 11 | 73.66[2.900] | 76.20[3.000] | 60 | 8-534206-0 |
| 11 | 71.12[2.800] | 73.66[2.900] | 58 | 7-534206-9 |
| 11 | 68.58[2.700] | 71.12[2.800] | 56 | 7-534206-8 |
| 11 | 66.04[2.600] | 68.58[2.700] | 54 | 7-534206-7 |
| 11 | 63.50[2.500] | 66.04[2.600] | 52 | 7-534206-6 |
| 11 | 60.96[2.400] | 63.50[2.500] | 50 | 7-534206-5 |
| 11 | 58.42[2.300] | 60.96[2.400] | 48 | 7-534206-4 |
| 11 | 55.88[2.200] | 58.42[2.300] | 46 | 7-534206-3 |
| 11 | 53.34[2.100] | 55.88[2.200] | 44 | 7-534206-2 |
| 11 | 50.80[2.000] | 53.34[2.100] | 42 | 7-534206-1 |
| 11 | 48.26[1.900] | 50.80[2.000] | 40 | 7-534206-0 |
| 11 | 45.72[1.800] | 48.26[1.900] | 38 | 6-534206-9 |
| 11 | 43.18[1.700] | 45.72[1.800] | 36 | 6-534206-8 |
| 11 | 40.64[1.600] | 43.18[1.700] | 34 | 6-534206-7 |
| 11 | 38.10[1.500] | 40.64[1.600] | 32 | 6-534206-6 |
| 11 | 35.56[1.400] | 38.10[1.500] | 30 | 6-534206-5 |
| 11 | 33.02[1.300] | 35.56[1.400] | 28 | 6-534206-4 |
| 11 | 30.48[1.200] | 33.02[1.300] | 26 | 6-534206-3 |
| 11 | 27.94[1.100] | 30.48[1.200] | 24 | 6-534206-2 |
| 11 | 25.40[1.000] | 27.94[1.100] | 22 | 6-534206-1 |
| 11 | 22.86[.900] | 25.40[1.000] | 20 | 6-534206-0 |
| 11 | 20.32[.800] | 22.86[.900] | 18 | 5-534206-9 |
| 11 | 17.78[.700] | 20.32[.800] | 16 | 5-534206-8 |
| 11 | 15.24[.600] | 17.78[.700] | 14 | 5-534206-7 |
| 11 | 12.70[.500] | 15.24[.600] | 12 | 5-534206-6 |
| 9 | 10.16[.400] | 12.70[.500] | 10 | 5-534206-5 |
| 9 | 7.62[.300] | 10.16[.400] | 8 | 5-534206-4 |
| 9 | 5.08[.200] | 7.62[.300] | 6 | 5-534206-3 |
| 9 | 2.54[.100] | 5.08[.200] | 4 | 5-534206-2 |
| 9 | - | 2.54[.100] | 2 | 5-534206-1 |

| | | | | |
|--|--|-------------------------------|---|--------------------|
| THIS DRAWING IS A CONTROLLED DOCUMENT. | | DWN M.BINNER 06NOV2002 | Tyco Electronics Corporation Harrisburg, Pa 17105-3608 | |
| DIMENSIONS: mm [INCHES] | | CHK J.OLSON 06NOV02 | NAME RECEPTACLE ASSEMBLY, MOD II, DOUBLE ROW, DUAL ENTRY, .100X.100CL, VERTICAL MOUNT, AMPMODU | |
| TOLERANCES UNLESS OTHERWISE SPECIFIED: 0 PLC ± - 1 PLC ± - 2 PLC ± 0.13[.005] 3 PLC ± - 4 PLC ± - ANGLES ± - | | APVD J.OLSON 06NOV02 | DRAWING NO C=534206 | |
| MATERIAL 1 | | PRODUCT SPEC 108-25022 | SIZE A2 | RESTRICTED TO - |
| FINISH 2 11 | | APPLICATION SPEC 114-25018 | CAGE CODE 00779 | SCALE 1:1 |
| CUSTOMER DRAWING | | WEIGHT - | SHEET 2 OF 2 | REV R2 |