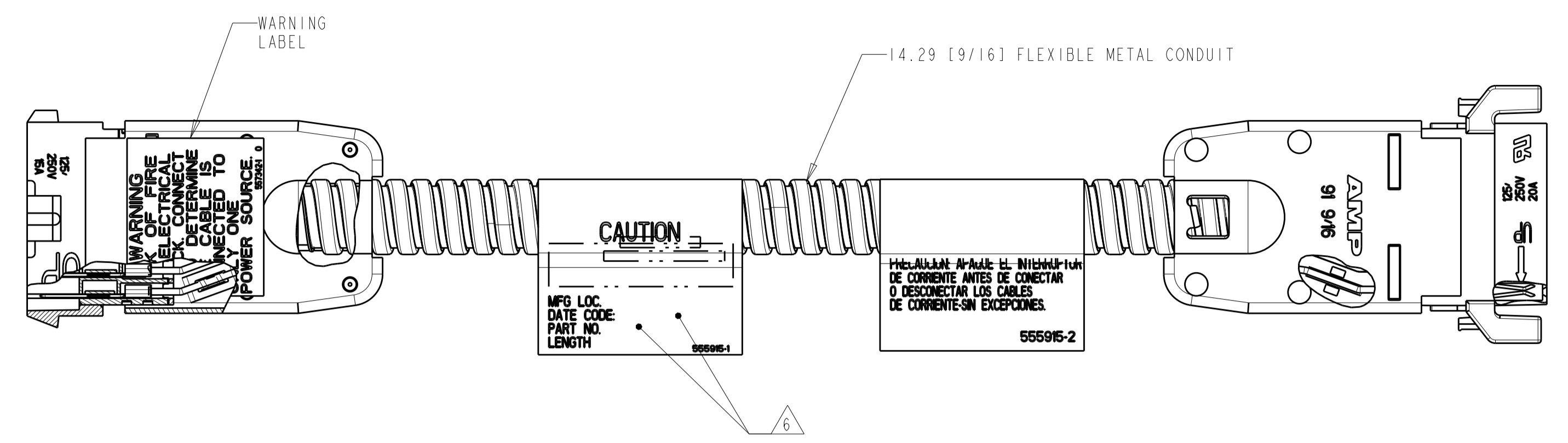
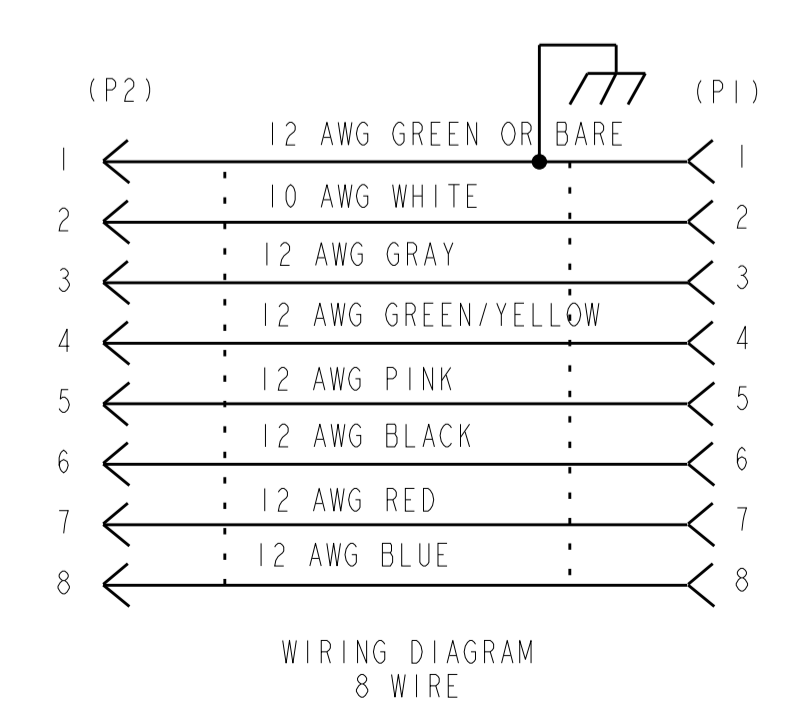
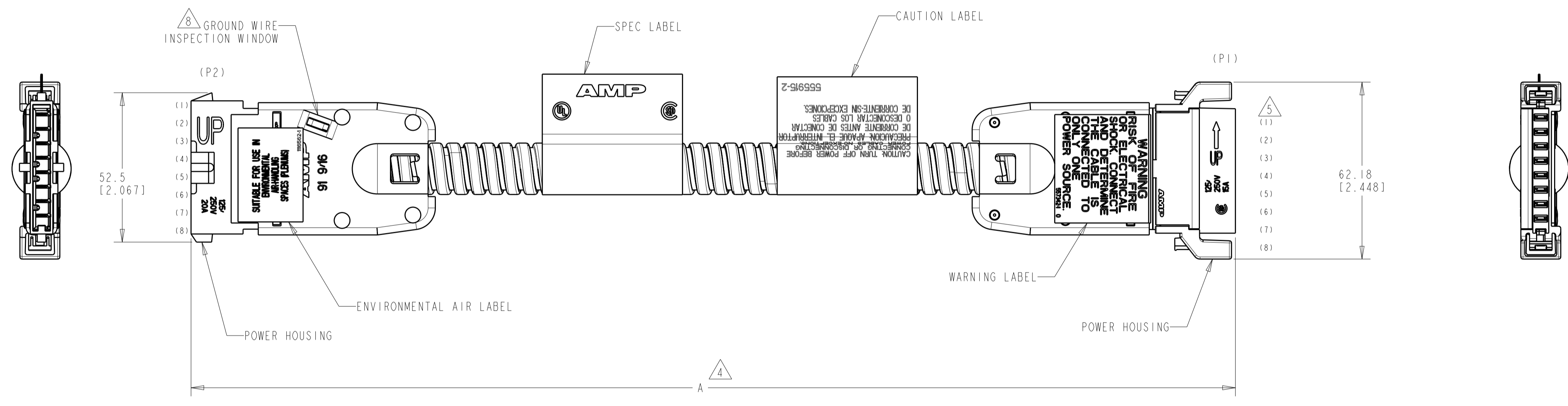
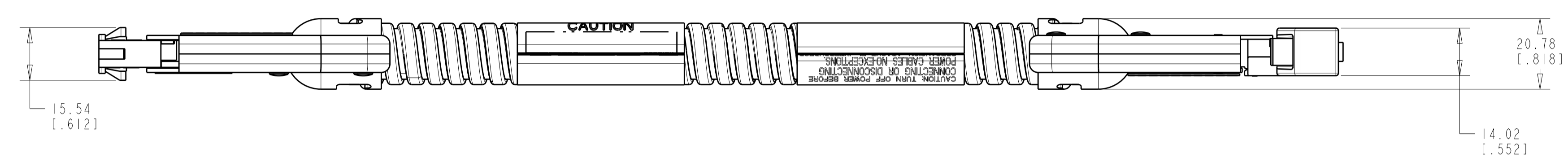


LOC	DIST	REVISIONS					
		P	LTN	DESCRIPTION	DATE	DWN	APVD
HM	00	V		REV PER ECO-12-020239	04DEC2012	JM	MS



- 1 DIMENSIONS SHOWN ARE MAXIMUM UNLESS OTHERWISE SPECIFIED.
- 2. CABLE ASSEMBLY IS WIRED PER ELECTRICAL DIAGRAM.
- 3 MATERIAL:
CONNECTOR HOUSINGS - POLYCARBONATE, UL 94V-0, BLACK.
STRAIN RELIEFS - CARBON STEEL WITH NICKEL PLATING
5.08µm [0.000200] MINIMUM THICK
CONTACTS - COPPER ALLOY WITH SILVER PLATED STRIP
3.81µm [0.000150] MINIMUM THICK.
- 4 DIMENSION "A" SHALL BE MEASURED WITH CONDUIT IN THE RELAXED POSITION.
- 5 DESIGNATIONS IN PARENTHESES () ARE FOR REFERENCE ONLY.
- 6 MANUFACTURING LOCATION, DATE CODE, PART NUMBER AND LENGTH SHALL BE INK STAMPED WHERE INDICATED.
- 7. APPLICATION:
AMPINERGY™ MODULAR WIRING SYSTEM, A MANUFACTURED WIRING SYSTEM.
- 8 USE GROUNDED WIRE INSPECTION WINDOW TO VERIFY BONDING AND GROUNDING CONDUCTOR.



1-556731-3	15.24 [50.00]
2-556731-9	12.19 [40.00]
2-556731-8	9.14 [30.00]
2-556731-4	7.62 [25.00]
2-556731-6	6.10 [20.00]
556731-3	4.57 [15.00]
2-556731-5	3.05 [10.00]
1-556731-1	1.52 [5.00]
1-556731-0	1.22 [4.00]
556731-8	0.91 [3.00]
556731-6	0.61 [2.00]
PART NO.	A DIM M [FEET]

THIS DRAWING IS A CONTROLLED DOCUMENT.

DWN: T. PITTS 19DEC01
CHK: L. SMITH 02JAN02
APVD: F. LINCOLN 02JAN02

TE Connectivity

NAME: CABLE ASSEMBLY, POWER TO LINE, 8 WIRE

PRODUCT SPEC: -
APPLICATION SPEC: -
SIZE: A1
CAGE CODE: 00779
DRAWING NO: 556731

RESTRICTED TO: -
MATERIAL: -
FINISH: -
WEIGHT: -
CUSTOMER DRAWING

SCALE: 1:1
SHEET: 1 OF 1
REV: V