

2-5747707-0 Product Details

[Share](#) [Print](#) [Email](#)



2-5747707-0

TE Internal Number: 2-5747707-0

Active

[View 3D PDF](#)

Standard Board Mount Connectors

Always EU RoHS/ELV Compliant
(Statement of Compliance)

Product Highlights:

- 15 Positions
- Connector Style = Receptacle
- PCB Mounting Orientation = Vertical
- Product Series = HD 20
- Without Mating Connector Lock

[View all Features](#)

Quick Links

- ▶ [Pricing & Availability](#)
- ▶ [Search for Tooling](#)
- ▶ [View Mating Products \(7\)](#)
- ▶ [Product Feature Selector](#)
- ▶ [Contact Us About This Product](#)

[Add to My Part List](#)

[Request Sample](#)

[Find Similar Products](#)

[Buy Product](#)

Documentation & Additional Information

Product Drawings:

- [RECEPTACLE ASSEMBLY, SIZE 2, 15 POS, VERTICAL, FRONT...](#) (PDF, English)

Catalog Pages/Data Sheets:

- [AMPLIMITE Subminiature D Connectors - Straight Poste...](#) (PDF, English)

Product Specifications:

- [AMPLIMITE HD-20 PCB Mounted Connector](#) (PDF, English)

Application Specifications:

- [AMPLIMITE HD-20 Straight Solder Contact Tine, Front ...](#) (PDF, English)

Instruction Sheets:

- None Available

CAD Files: (CAD Format & Compression Information)

- [2D Drawing](#) (DXF, Version A1)
- [3D Model](#) (IGES, Version A1)
- [3D Model](#) (STEP, Version A1)

[List all Documents](#)

Additional Information:

- [Product Line Information](#)

Additional Product Images:

- [Product Photo](#)

Related Products:

- [Tooling](#)
- [Mating Products \(7\)](#)

Product Features (Please use the Product Drawing for all design activity)

Product Type Features:

- [PCB Mounting Orientation](#) = Vertical
- [Product Series](#) = HD 20
- [Mating Connector Lock](#) = Without
- [PCB Mount Retention](#) = With
- [PCB Mount Retention Type](#) = 4-40 Retention Insert
- [Shell Type](#) = Front Metal Shell
- [Shell Size](#) = 2
- [Grounding Indents](#) = Without
- [Grounding Straps](#) = Without
- [PCB Mount Style](#) = Through Hole
- [Color Code](#) = None
- Sealed = No
- Profile = Standard
- Post Size (mm [in]) = 0.66 [0.026]

Contact Features:

- [Contact Plating, Mating Area, Material](#) = Gold (30)
- [Solder Tail Contact Plating](#) = Bright Tin over Copper
- [Contact Shape](#) = Round
- [Contact Base Material](#) = Phosphor Bronze

Housing Features:

- [Connector Style](#) = Receptacle
- [UL Flammability Rating](#) = UL 94V-0
- [Housing Material](#) = Thermoplastic - GF

Configuration Features:

- [Number of Positions](#) = 15

Industry Standards:

- [RoHS/ELV Compliance](#) = RoHS compliant, ELV

- Mounting Hole Diameter (mm [in]) = 3.07 [.121]

Mechanical Attachment:

- Panel Mount Retention = Without

Termination Features:

- Grounding Clips = Without
- Termination Post Length (mm [in]) = 3.18 [0.125]

Dimensions:

- PCB Thickness, Recommended (in [mm]) = 0.062 [1.57]

Body Features:

- Insert Material = Brass
- Shell Material = Steel
- Shell Plating = Tin

compliant

- Lead Free Solder Processes = Wave solder capable to 240°C, Wave solder capable to 260°C, Wave solder capable to 265°C
- RoHS/ELV Compliance History = Always was RoHS compliant

Operation/Application:

- Application = Standard

Other:

- Brand = AMP
- Comment = All receptacles are preloaded with size 20 DF posted socket contacts

Corporate Information

- [About TE](#)
- [Investors](#)
- [News Room](#)
- [Supplier Portal](#)
- [Careers](#)
- [Terms & Conditions](#)
- [Privacy Policy](#)

Quick Links

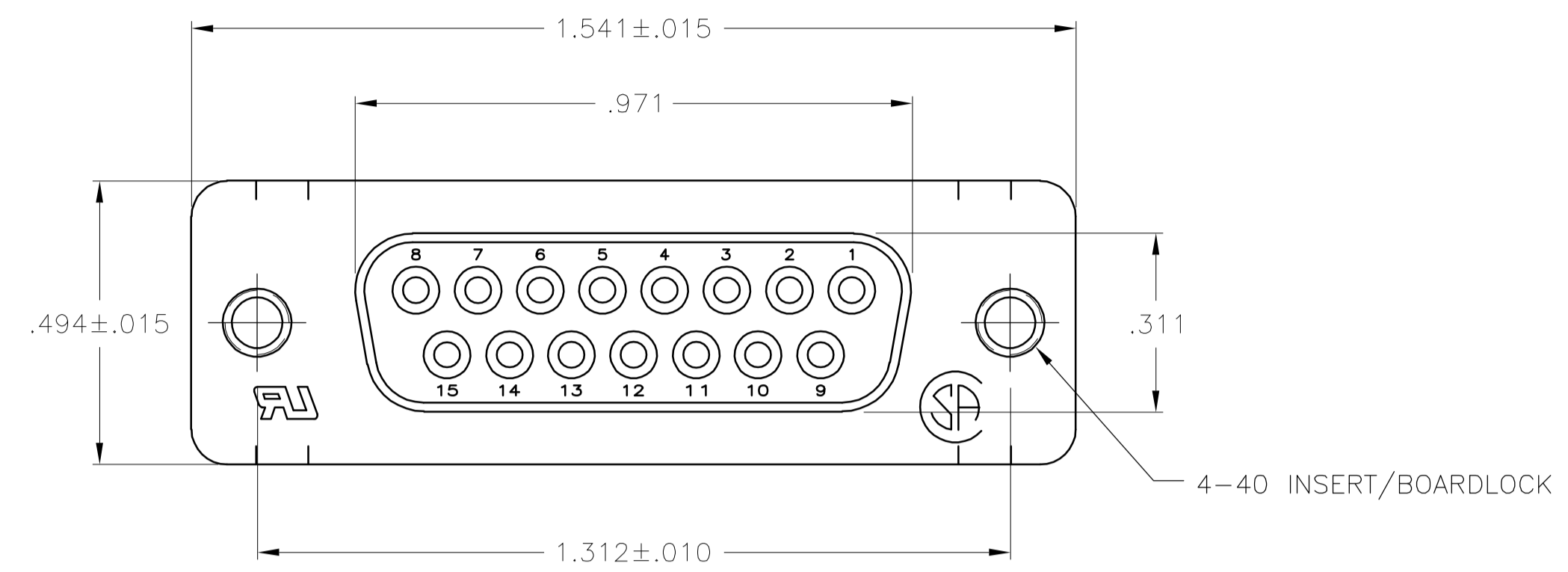
- [Distributor Inventory](#)
- [Product Cross Reference](#)
- [Documents & Drawings](#)
- [Product Compliance Support Center](#)
- [Site Map](#)

Customer Support

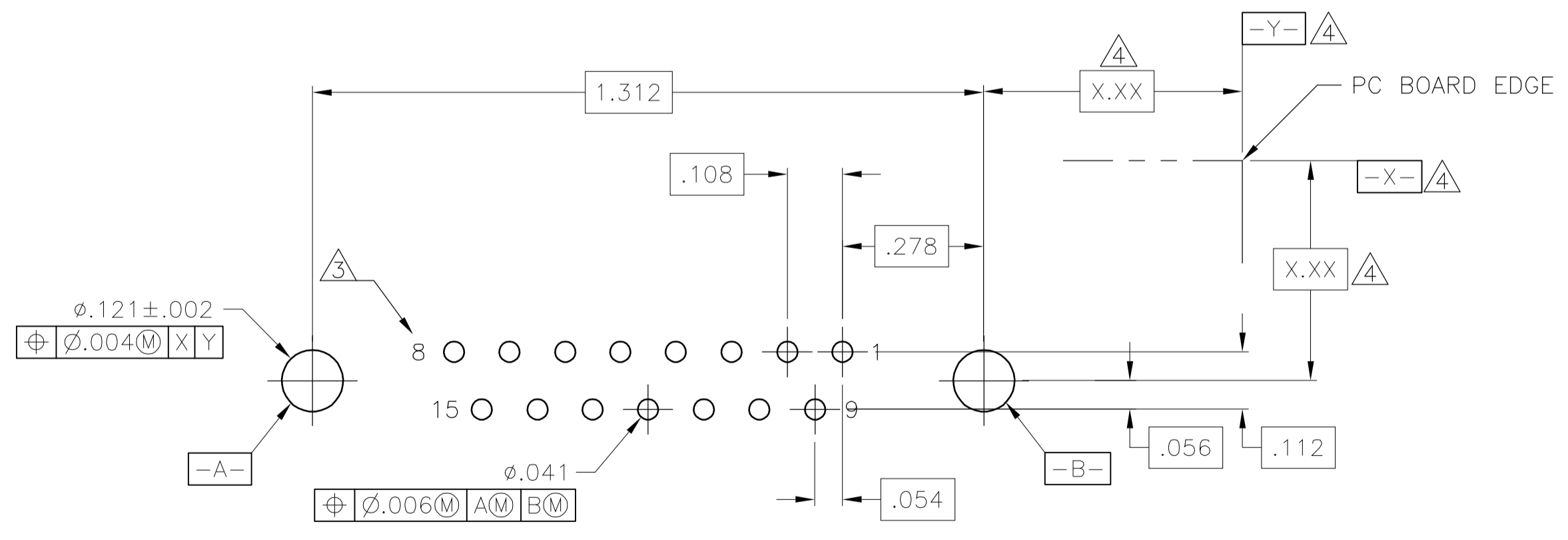
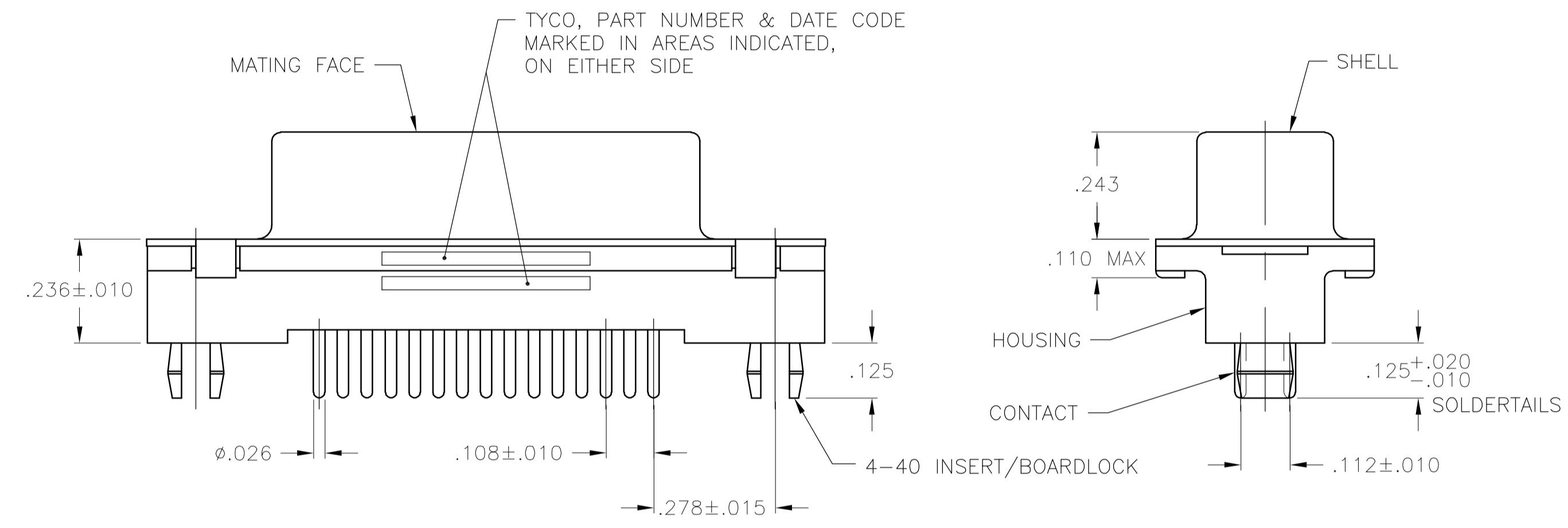
- [Email or Chat With Us](#)
- [Find a Phone Number](#)
- [Knowledge Base](#)
- [Manage Your Account](#)

Keep Me Informed





- ⚠ HOUSING: FLAME RETARDANT THERMOPLASTIC, 94V-0 RATED, COLOR BLACK.
SHELL: CARBON STEEL.
CONTACTS: PHOSPHOR BRONZE.
INSERT/BOARDLOCKS: BRASS.
- ⚠ SHELL: 0.00508[.000200] MIN TIN OVER 0.00254[.000100] MIN COPPER.
CONTACTS: 0.00076[.000030] MIN GOLD ON MATING END, 0.00254[.000100] MIN TIN ON SOLDER END, ALL OVER 0.00076[.000030] MIN NICKEL ON ENTIRE CONTACT.
INSERT/BOARDLOCKS: 0.00381[.000150] MIN TIN OVER 0.00254[.000100] MIN COPPER.
- ⚠ POSITION NUMBERS SHOWN FOR REFERENCE ONLY.
- ⚠ DATUMS AND BASIC DIMENSIONS TO BE ESTABLISHED BY CUSTOMER.



RECOMMENDED PC BOARD LAYOUT
 .062 PC BOARD
 (VIEWED FROM CONNECTOR SIDE)

2-5747707-0
 PART NUMBER

THIS DRAWING IS A CONTROLLED DOCUMENT.		D/W J.GERACE 18FEB05	 Tyco Electronics Corporation Harrisburg, PA 17105-3608
DIMENSIONS: mm		C/K S.BOLASH 18FEB05	
TOLERANCES UNLESS OTHERWISE SPECIFIED:		AP/D M.WALMSLEY 18FEB05	NAME RECEPTACLE ASSEMBLY, SIZE 2, 15 POS, VERTICAL, FRONT METAL SHELL, AMPLIMITE HD-20
0 PLC ± - 1 PLC ± - 2 PLC ± - 3 PLC ± 0.13(.005) 4 PLC ± ± - ANGLES ± ± -		PRODUCT SPEC 108-40025	RESTRICTED TO
MATERIAL		APPLICATION SPEC 114-40023	SIZE A1
FINISH		WEIGHT -	CAGE CODE 00779
		CUSTOMER DRAWING	SCALE 4:1 SHEET 1 OF 1 REV A1