

Distributed by:

JAMECO[®]
ELECTRONICS

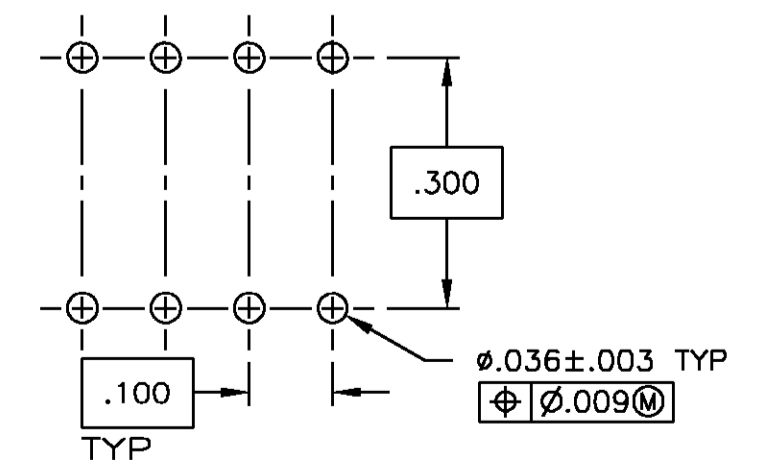
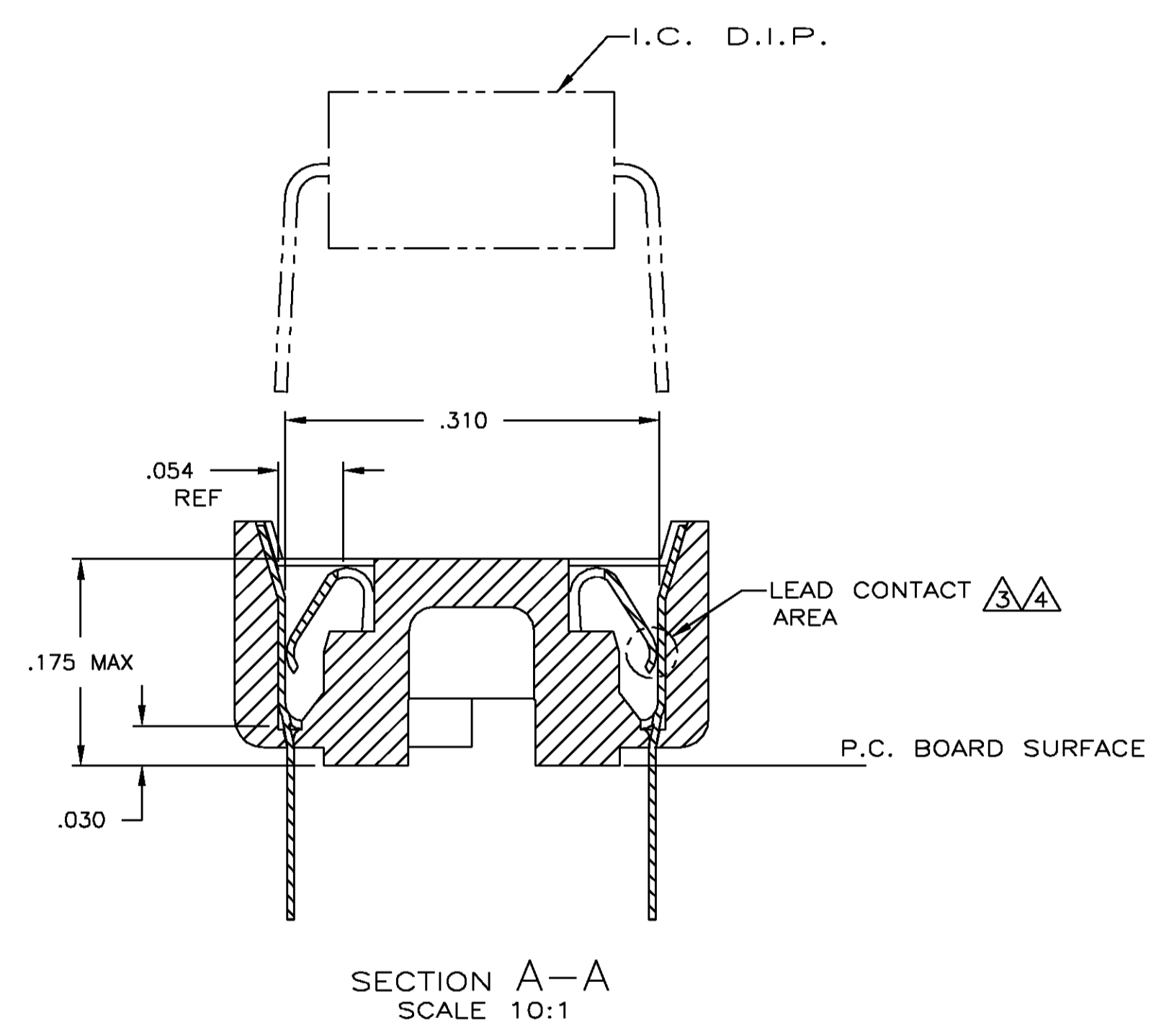
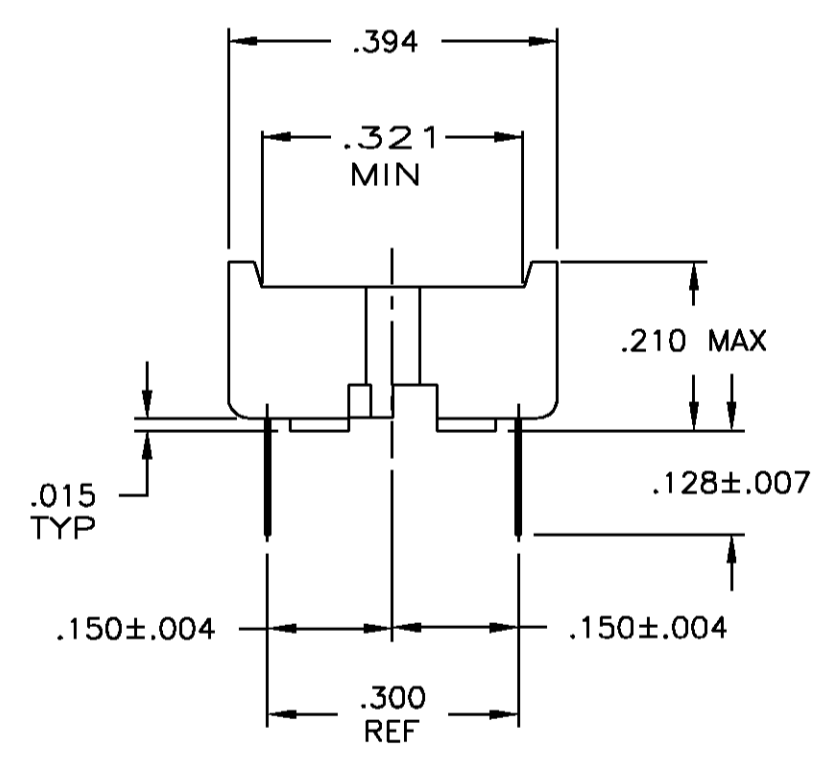
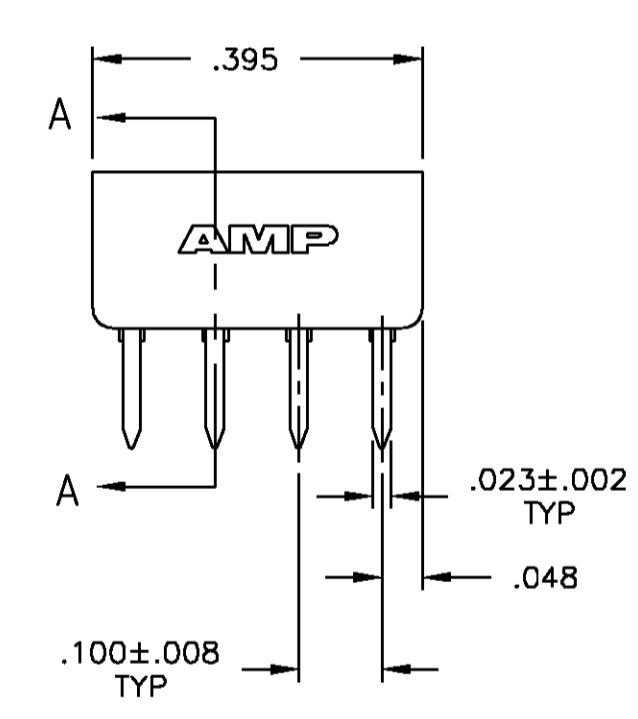
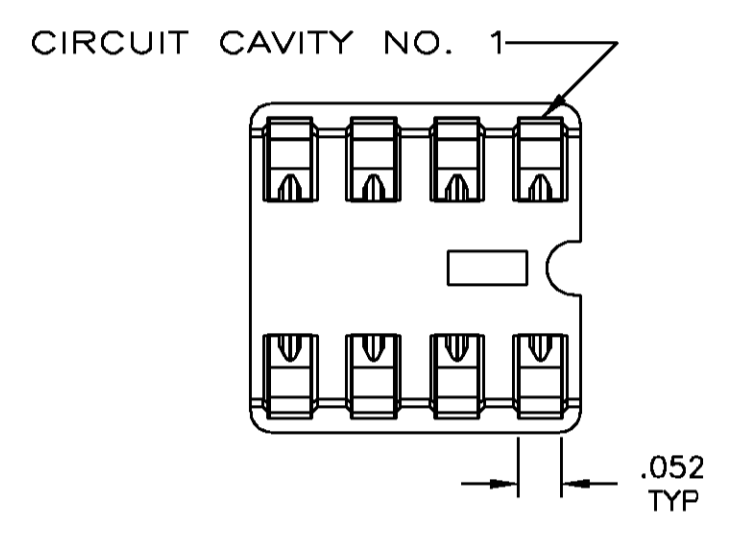
www.Jameco.com ♦ 1-800-831-4242

The content and copyrights of the attached
material are the property of its owner.

Jameco Part Number 837679

LOC		DIST		REVISIONS			
P	LN	DESCRIPTION	DATE	BY	APPD		
AD	0	REV PER 0G3C-0214-99	29AUG00	BH	HW		

1. RECEPTACLE ACCEPTS A .008-.014 THICK I.C. LEAD.
2. TUBE LOADED FOR AUTOMATIC INSERTION.
3. TWO .000030 MIN THK. GOLD STRIPES IN CONTACT AREA WITH TIN-LEAD (93/7) ON CONTACT LEGS, BALANCE OF CONTACT NICKEL PLATED.
4. TWO .000015 MIN THK. GOLD STRIPES IN CONTACT AREA WITH TIN-LEAD (93/7) ON CONTACT LEGS, BALANCE OF CONTACT NICKEL PLATED.



RECOMMENDED MOUNTING HOLE PATTERN
SCALE 4:1

OBSELETE	TINNED	PHOS.BRZ. .006 THK	GLASS-FILLED THERMOPLASTIC, 94V-O, BLACK	2-640463-5
SUPERSEDED BY 390261-2	TINNED	PHOS.BRZ. .006 THK	GLASS-FILLED THERMOPLASTIC, 94V-O, BLACK	2-640463-4
SUPERSEDED BY 390261-2	TINNED	BE.CU. .006 THK	GLASS-FILLED THERMOPLASTIC, 94V-O, BLACK	2-640463-3
SUPERSEDED BY 390261-2	TINNED	BE.CU. .006 THK	GLASS-FILLED THERMOPLASTIC, 94V-O, BLACK	2-640463-2
	TINNED	BE.CU. .006 THK	GLASS-FILLED THERMOPLASTIC, 94V-O, BLACK	2-640463-1

CONTACT FINISH		CONTACT MAT'L		HOUSING MATERIAL		PART NO.	
THIS DRAWING IS A CONTROLLED DOCUMENT.							
DIMENSIONS: INCHES		TOLERANCES UNLESS OTHERWISE SPECIFIED:		DRAWN: M. CYRUS 2-20-87		Tyco Electronics Corporation Harrisburg, PA 17105	
Ø		± .005		CHK: R. MILLER 2-20-87		AMP	
HOLE		± .005		APPD: J. LAMBERT 2-28-87		NAME: SOCKET ASSY, DIP, 8 POS, DIPLOMATE DL	
MATERIAL: SEE TABLE		FINISH: SEE TABLE		PRODUCT SPEC: 108-1066		SIZE: A1	
				APPLICATION SPEC: 114-1049		CAGE CODE: 00779	
				WEIGHT: --		DRAWING NO: 640463	
				CUSTOMER DRAWING		RESTRICTED TO: --	
				SCALE: 5:1		SHEET 1 OF 1	
						REV: AF	