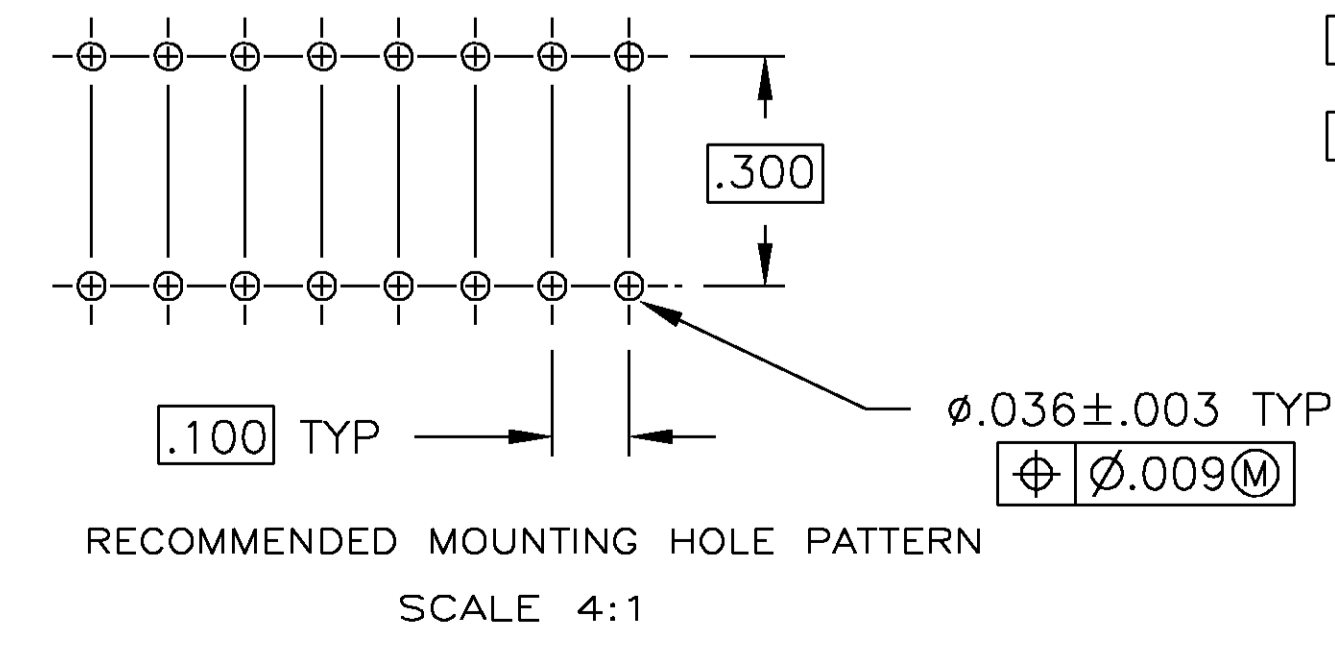
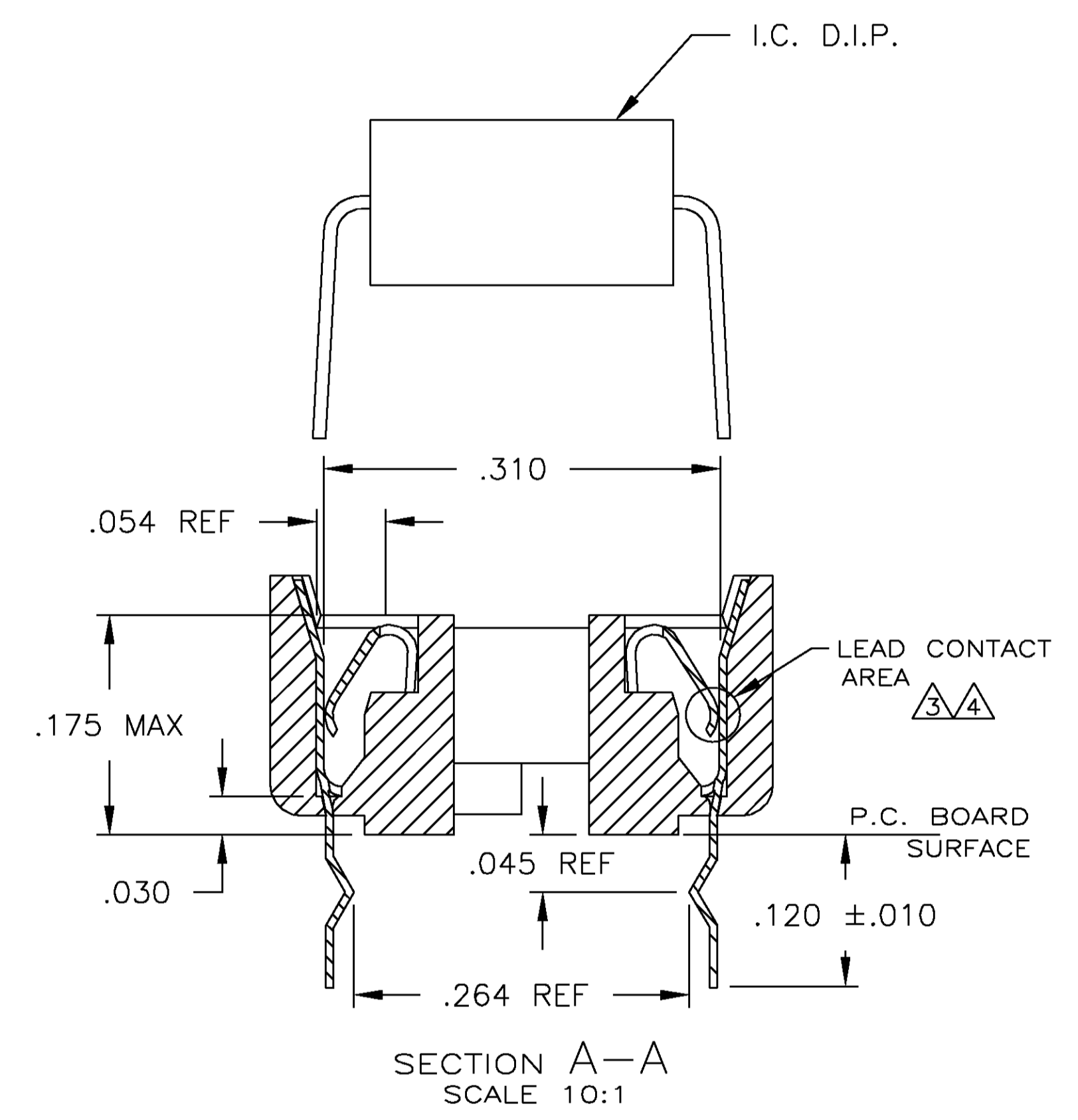
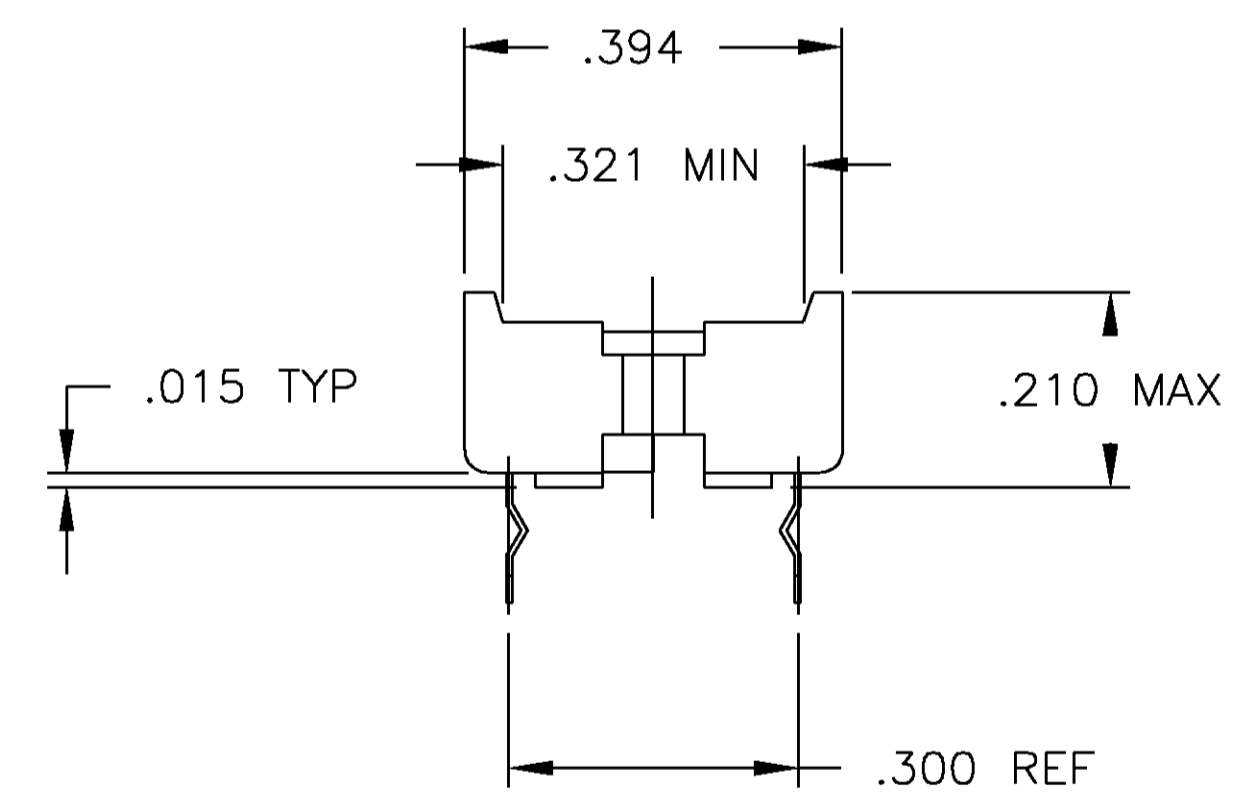
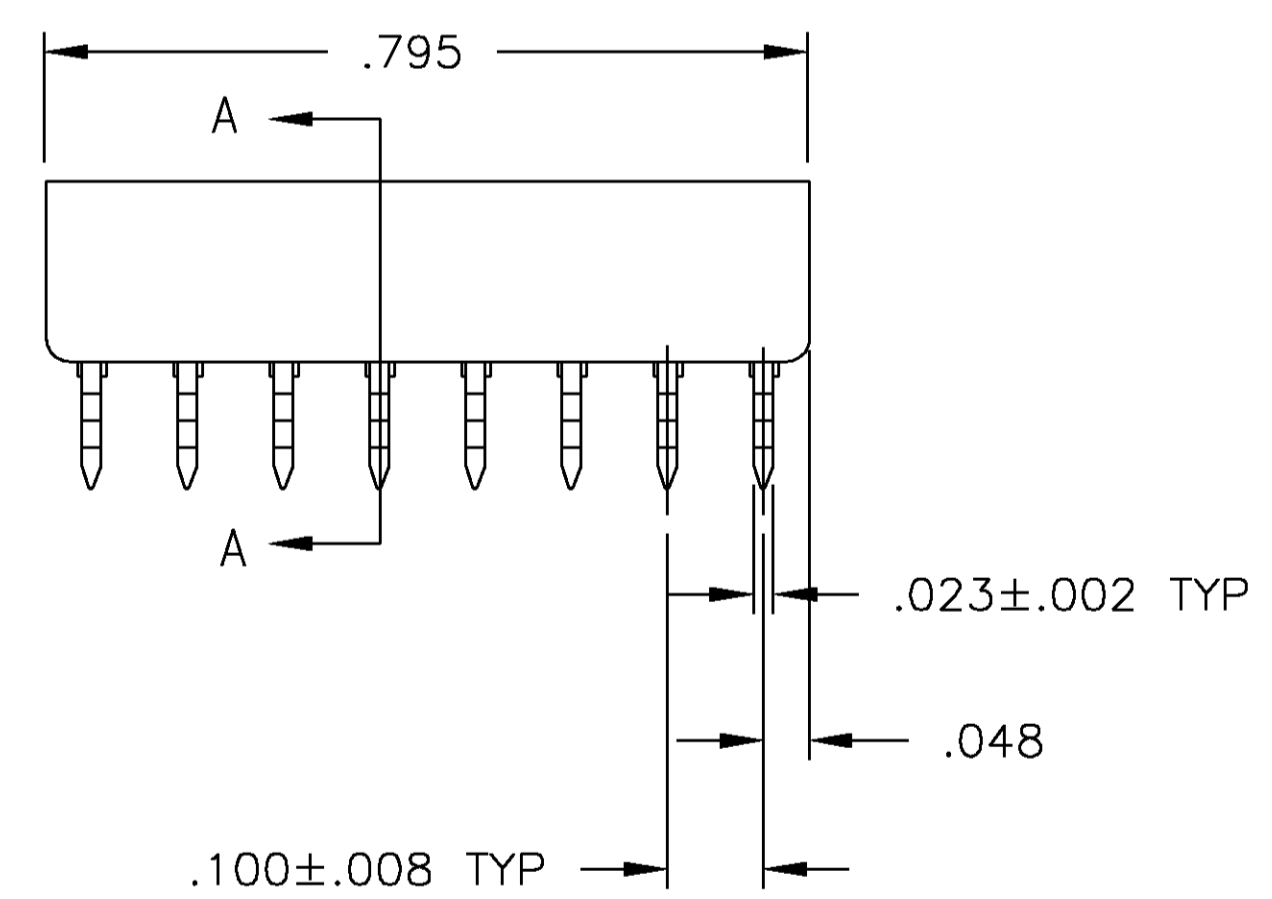
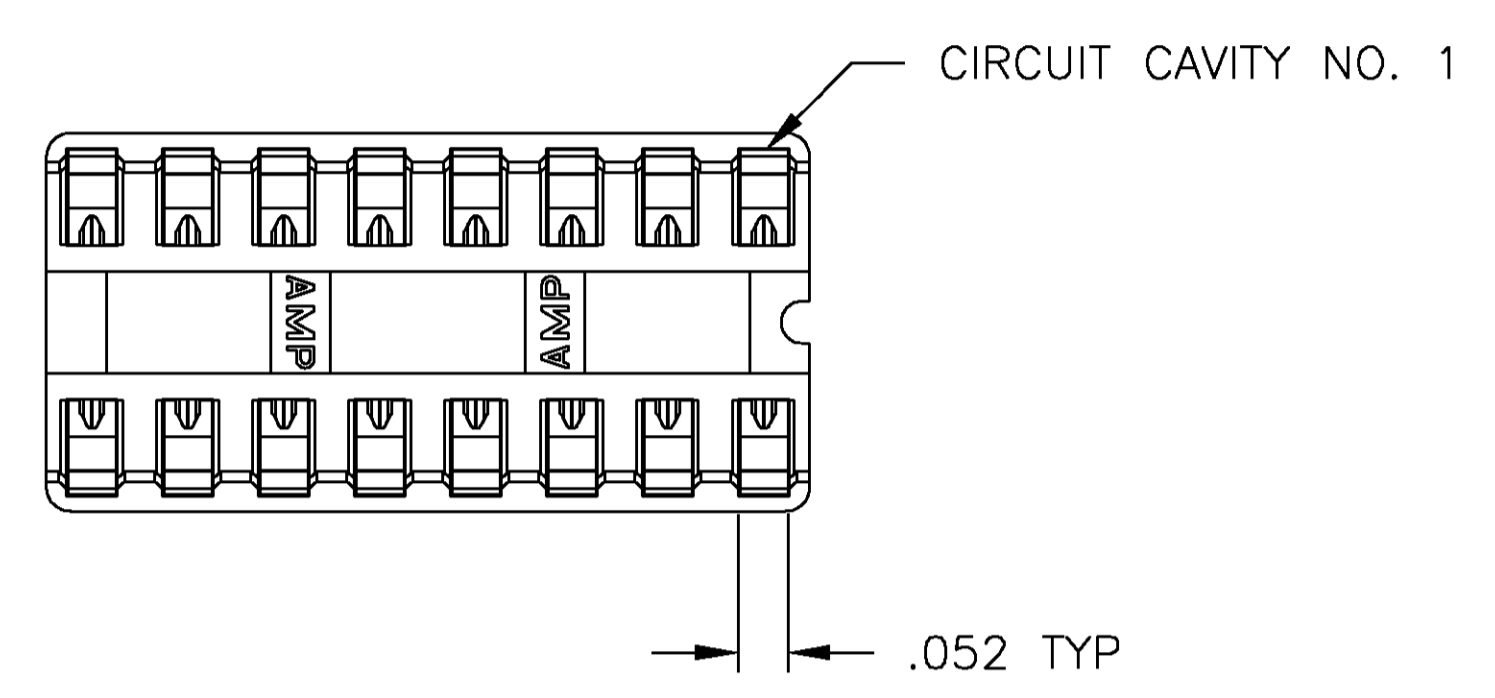


1. RECEPTACLE ACCEPTS A .008-.014 THICK I.C. LEAD.
2. TUBE LOADED.
3. TWO .000030 MIN THK. GOLD STRIPES IN CONTACT AREA WITH TIN-LEAD (93/7) ON CONTACT LEGS, BALANCE OF CONTACT NICKEL PLATED.
4. TWO .000015 MIN THK. GOLD STRIPES IN CONTACT AREA WITH TIN-LEAD (93/7) ON CONTACT LEGS, BALANCE OF CONTACT NICKEL PLATED.



OBSOLETE	TINNED	PHOS.BRZ. .006 THK	GLASS-FILLED THERMOPLASTIC, 94V-O, BLACK	2-641610-5
	3/4	PHOS.BRZ. .006 THK	GLASS-FILLED THERMOPLASTIC, 94V-O, BLACK	2-641610-4
OBSOLETE	TINNED	PHOS.BRZ. .006 THK	GLASS-FILLED THERMOPLASTIC, 94V-O, BLACK	2-641610-3
	3/4	BE.CU. .006 THK	GLASS-FILLED THERMOPLASTIC, 94V-O, BLACK	2-641610-2
	TINNED	BE.CU. .006 THK	GLASS-FILLED THERMOPLASTIC, 94V-O, BLACK	2-641610-1
CONTACT FINISH		CONTACT MAT'L	HOUSING MATERIAL	PART NO.
THIS DRAWING IS A CONTROLLED DOCUMENT.				
DIMENSIONS: INCHES		TOLERANCES UNLESS OTHERWISE SPECIFIED:		DW R BROWN 09JAN01
0 PLC	± -	APVD H WYNKOOP 17NOV00	AMP Tyco Electronics Corporation Harrisburg, PA 17105	
1 PLC	± -	NAME H WYNKOOP 17NOV00	SOCKET ASSY, DIP, LADDER, RET LEG, 16 POS, DIPLOMATE™ DL	
2 PLC	± -	PRODUCT SPEC	108-1066	
3 PLC	± .005	APPLICATION SPEC	114-1049	
4 PLC	± -	SIZE	A1 00779 ©=641610	
ANGLES	± α-30°	WEIGHT	-	
MATERIAL SEE TABLE		FINISH SEE TABLE		CUSTOMER DRAWING
		SCALE 5:1		SHEET 1 OF 1
		REV W		