



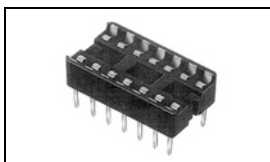
Have a Question?
 Chat with a Product
 Information Specialist

What can we help you find?

[Products](#) [Industries](#) [Resources](#) [About TE](#) [My Account](#) [Innovation](#) [Support Center](#)

2-641610-1 Product Details

[Share](#) [Print](#) [Email](#)



2-641610-1

TE Internal Number: 2-641610-1

Active

[View 3D PDF](#)

DIP Sockets

Always EU RoHS/ELV Compliant (Statement of Compliance)

Product Highlights:

- Socket Style = Standard
- Through Hole Contact Termination Type
- 2.54 mm Centerline
- Row-to-Row Spacing = 7.62 mm
- 16 Positions

[View all Features](#)

Quick Links

- ▶ [Pricing & Availability](#)
- ▶ [Search for Tooling](#)
- ▶ [Product Feature Selector](#)
- ▶ [Contact Us About This Product](#)

[Add to My Part List](#) [Request Sample](#) [Find Similar Products](#) [Buy Product](#)

Documentation & Additional Information

Product Drawings:

- [SOCKET ASSY, DIP, LADDER, RET LEG, 16 POS, DIPLOMATE DL \(PDF, English\)](#)

Catalog Pages/Data Sheets:

- None Available

Product Specifications:

- None Available

Application Specifications:

- [DIPLOMATE Dual Leaf \(DL\) Low-Profile DIP Sockets \(PDF, English\)](#)

Instruction Sheets:

- None Available

CAD Files: [\(CAD Format & Compression Information\)](#)

- [2D Drawing \(DXF, Version W\)](#)
- [3D Model \(IGES, Version W\)](#)
- [3D Model \(STEP, Version W\)](#)

[List all Documents](#)

Additional Information:

- [Product Line Information](#)

Related Products:

- [Tooling](#)

Product Features (Please use the Product Drawing for all design activity)

Product Type Features:

- [Socket Style](#) = Standard
- [Profile](#) = Standard
- [Frame Style](#) = Ladder
- [Leg Style](#) = Retention
- [Color](#) = Black
- [Qty. Tubes/Box](#) = 100
- [Product Series](#) = Standard

Electrical Characteristics:

- [Insulation Resistance \(MΩ\)](#) = 10,000
- [Contact Resistance \(mΩ\)](#) = 30

Termination Features:

- [Contact Termination Type](#) = Through Hole
- [Termination Post Length \(mm \[in\]\)](#) = 3.05 [0.120]
- [Solder Tail Contact Plating](#) = Tin

Dimensions:

- [Height Above PC Board \(mm \[in\]\)](#) = 5.33 [0.210]

Body Features:

- [Row-to-Row Spacing \(mm \[in\]\)](#) = 7.62 [0.300]
- [Mount Style](#) = Vertical

Contact Features:

- [Contact Base Material](#) = Beryllium Copper
- [Contact Plating, Mating Area, Material](#) = Tin
- [Contact Style](#) = Stamped + Formed
- [Mating Contact Type](#) = Dual Leaf

Housing Features:

- [Centerline \(mm \[in\]\)](#) = 2.54 [0.100]
- [Housing Material](#) = Thermoplastic - GF
- [UL Flammability Rating](#) = UL 94V-0

Configuration Features:

- [Number of Positions](#) = 16

Industry Standards:

- [RoHS/ELV Compliance](#) = RoHS compliant, ELV compliant
- [Lead Free Solder Processes](#) = Wave solder capable to 240°C
- [RoHS/ELV Compliance History](#) = Always was RoHS compliant

Conditions for Usage:

- [Temperature Range \(°C\)](#) = 105

Operation/Application:

- [Application](#) = Production

Packaging Features:

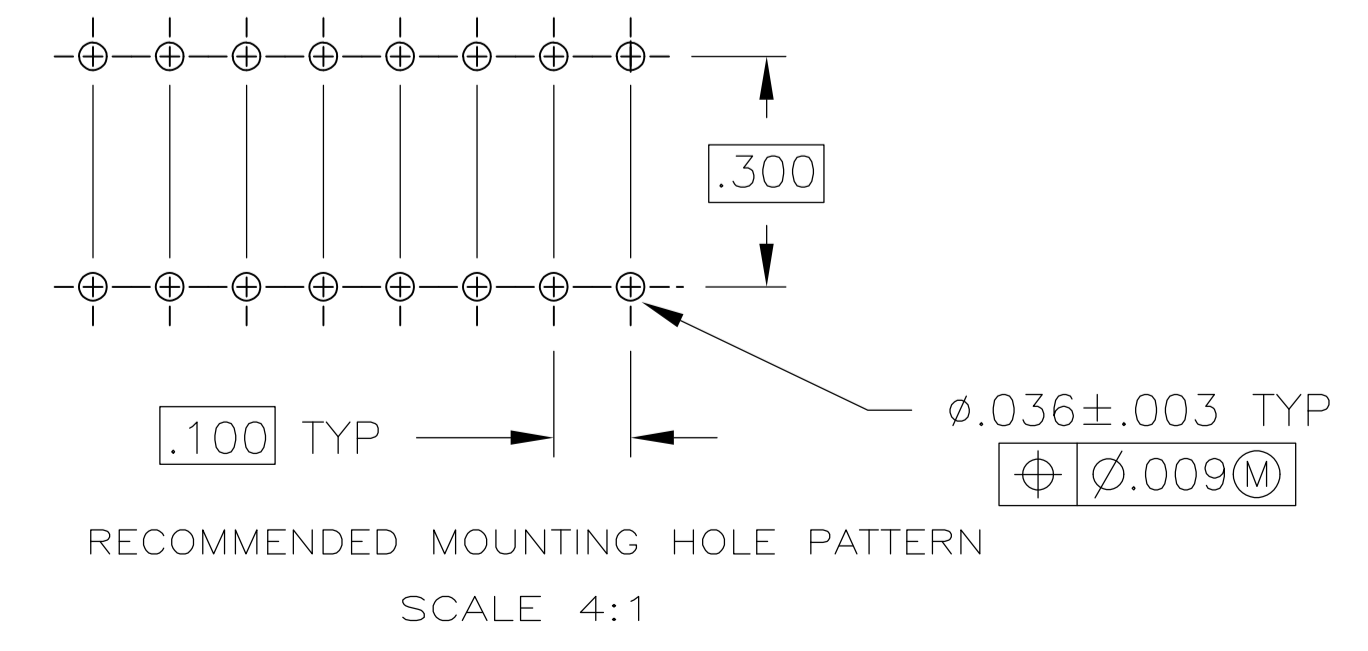
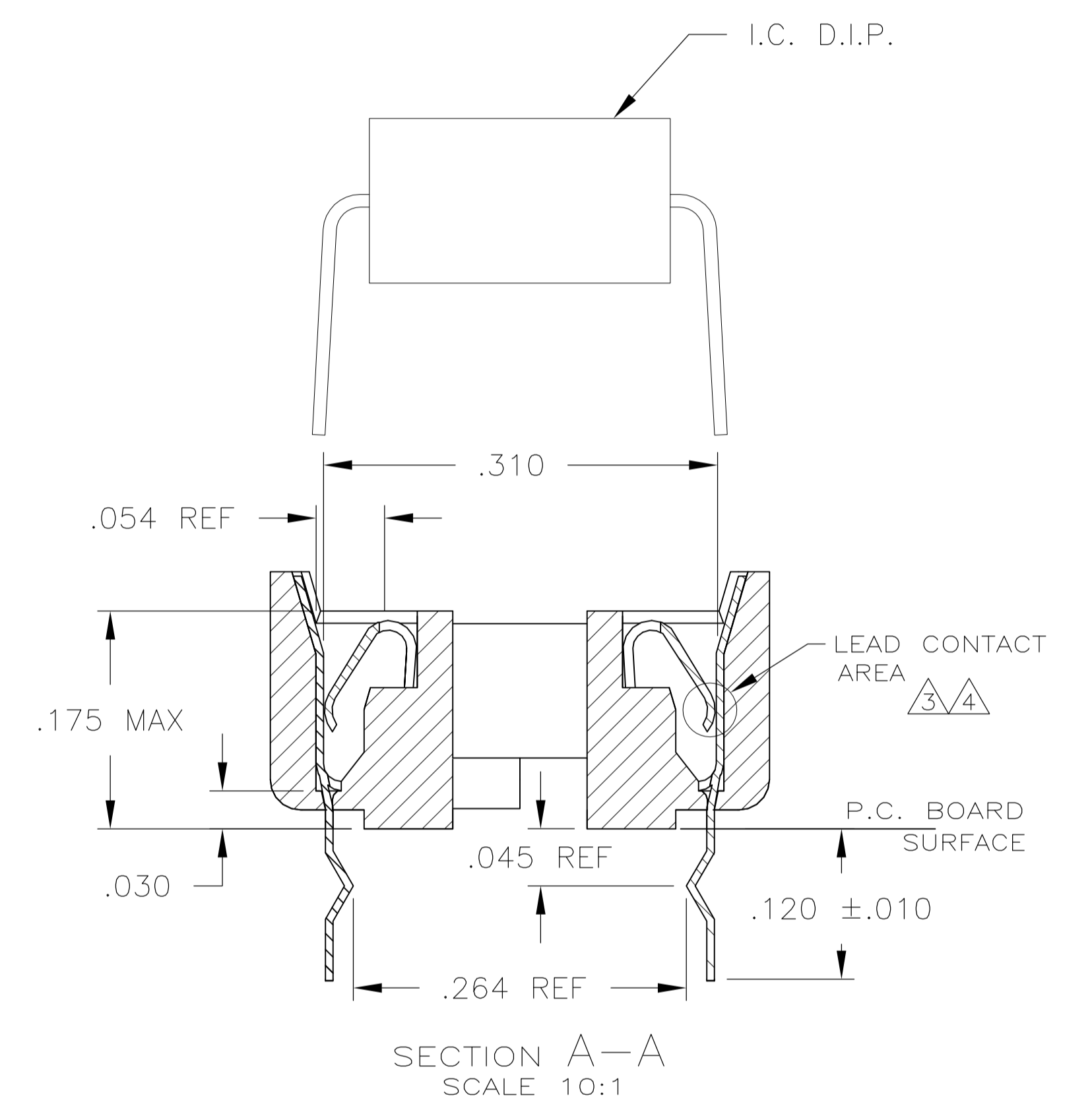
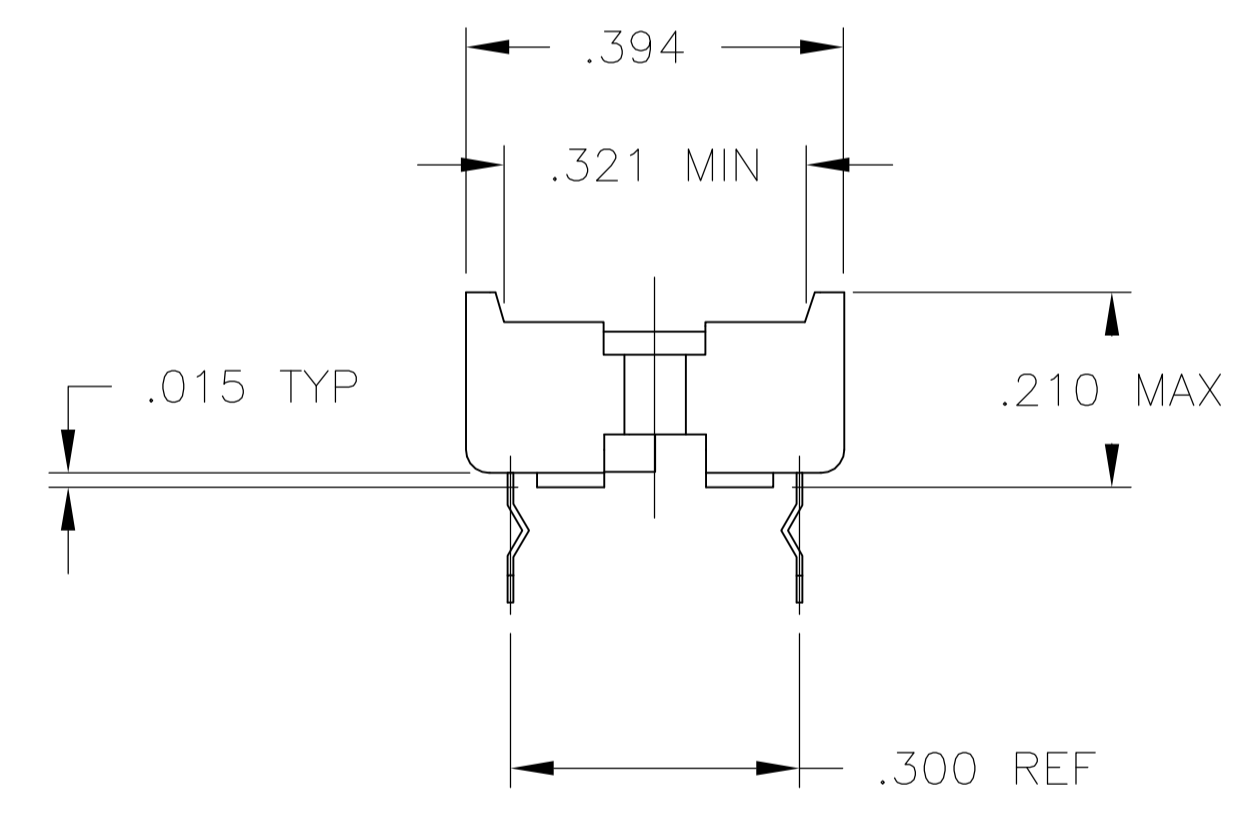
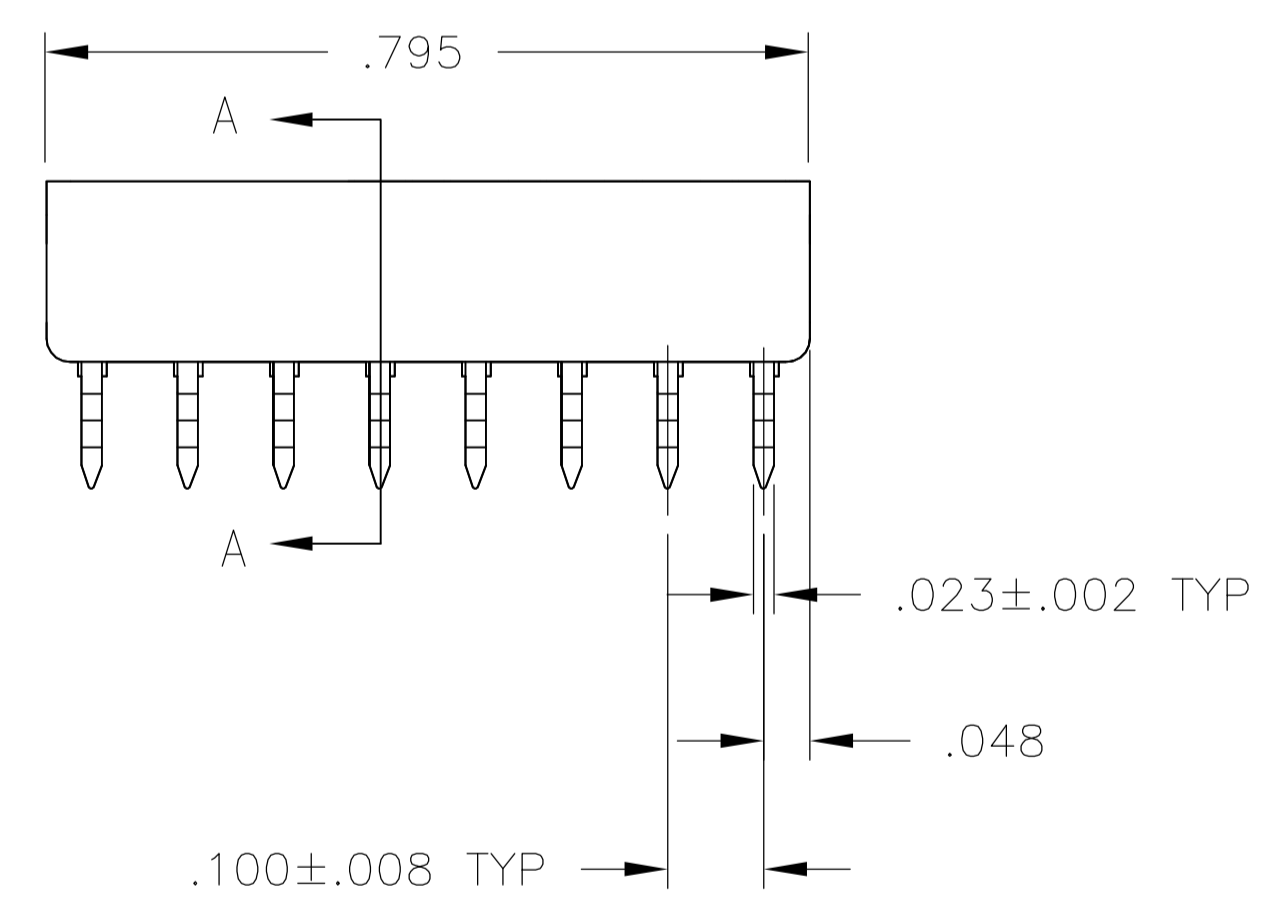
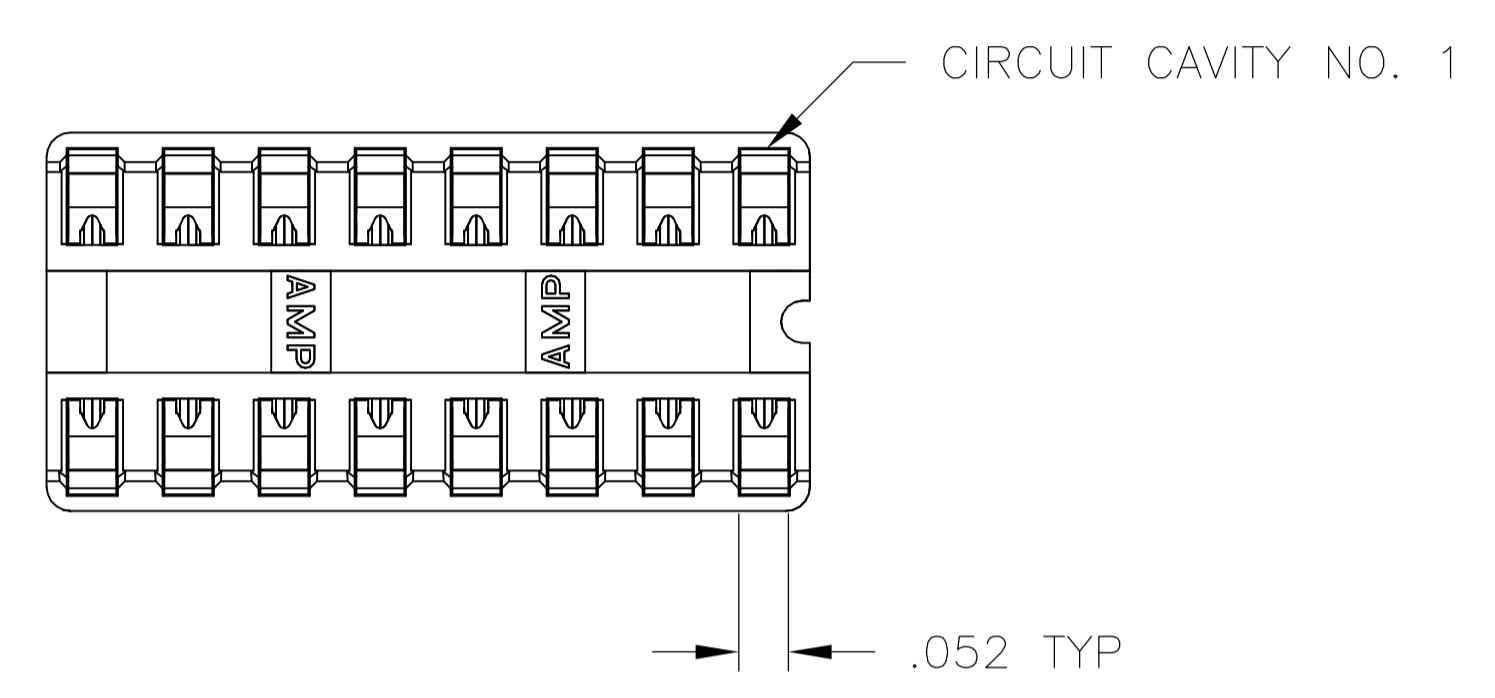
- [Packaging Method](#) = Tube
- [Qty./Tube](#) = 26

Other:

- [Brand](#) = AMP
- [Proprietary Name](#) = DIPLOMATE DL
- [Comment](#) = ONLY sockets with straight solder tails are recommended for automatic insertion.

LOC		DIST		REVISIONS			
FT	64	REV	PER	DESCRIPTION	DATE	DMN	APVD
W		REV	PER	OG3C-0162-99	17NOV00	RB	HW
W1		REVISED	PER	ECO-09-021510	15AUG09	KK	AEG

- RECEPTACLE ACCEPTS A .008-.014 THICK I.C. LEAD.
- TUBE LOADED.
- TWO .000030 MIN THK. GOLD STRIPES IN CONTACT AREA WITH TIN-LEAD (93/7) ON CONTACT LEGS, BALANCE OF CONTACT NICKEL PLATED.
- TWO .000015 MIN THK. GOLD STRIPES IN CONTACT AREA WITH TIN-LEAD (93/7) ON CONTACT LEGS, BALANCE OF CONTACT NICKEL PLATED.
- OBSOLETE PARTS: OBSOLETE CIS STREAMLINING PER D.RENAUD/D.SINISI



OBSOLETE	TINNED	PHOS.BRZ. .006 THK	GLASS-FILLED THERMOPLASTIC, 94V-0, BLACK	2-641610-5
		PHOS.BRZ. .006 THK	GLASS-FILLED THERMOPLASTIC, 94V-0, BLACK	2-641610-4
OBSOLETE	TINNED	PHOS.BRZ. .006 THK	GLASS-FILLED THERMOPLASTIC, 94V-0, BLACK	2-641610-3
OBSOLETE		BE.CU. .006 THK	GLASS-FILLED THERMOPLASTIC, 94V-0, BLACK	2-641610-2
	TINNED	BE.CU. .006 THK	GLASS-FILLED THERMOPLASTIC, 94V-0, BLACK	2-641610-1
CONTACT FINISH		CONTACT MAT'L	HOUSING MATERIAL	PART NO.
DIMENSIONS: INCHES		TOLERANCES UNLESS OTHERWISE SPECIFIED:		THIS DRAWING IS A CONTROLLED DOCUMENT.
0 PLC ± -		1 PLC ± -		DIN R BROWN 09JAN01
1 PLC ± -		2 PLC ± -		CHK H WYNKOOP 17NOV00
2 PLC ± -		3 PLC ± .005		APVD H WYNKOOP 17NOV00
3 PLC ± -		4 PLC ± -		NAME
4 PLC ± -		ANGLES ± σ-30°		PRODUCT SPEC
MATERIAL SEE TABLE		FINISH SEE TABLE		APPLICATION SPEC
		WEIGHT		108-1066
		CUSTOMER DRAWING		SIZE 114-1049
		SCALE 5:1		RESTRICTED TO
		SHEET 1 OF 1		AMP Tyco Electronics Corporation Harrisburg, PA 17105
		REV W1		SOCKET ASSY, DIP, LADDER, RET LEG, 16 POS, DIPLOMATE™ DL
		DRAWING NO. 00779		641610