



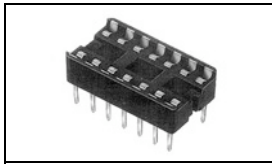
Have a Question?
 Chat with a Product
 Information Specialist

What can we help you find?

[Products](#) |
 [Industries](#) |
 [Resources](#) |
 [About TE](#) |
 [My Account](#) |
 [Innovation](#) |
 [Support Center](#)

2-641611-1 Product Details

[Share](#) |
 [Print](#) |
 [Email](#)



2-641611-1

TE Internal Number: 2-641611-1

Active

DIP Sockets

Always EU RoHS/ELV Compliant (Statement of Compliance)

Product Highlights:

- Socket Style = Standard
- Through Hole Contact Termination Type
- 2.54 mm Centerline
- Row-to-Row Spacing = 7.87 mm
- 18 Positions

[View all Features](#)

Quick Links

- ▶ [Pricing & Availability](#)
- ▶ [Search for Tooling](#)
- ▶ [Product Feature Selector](#)
- ▶ [Contact Us About This Product](#)

[Add to My Part List](#) |
 [Request Sample](#) |
 [Find Similar Products](#) |
 [Buy Product](#)

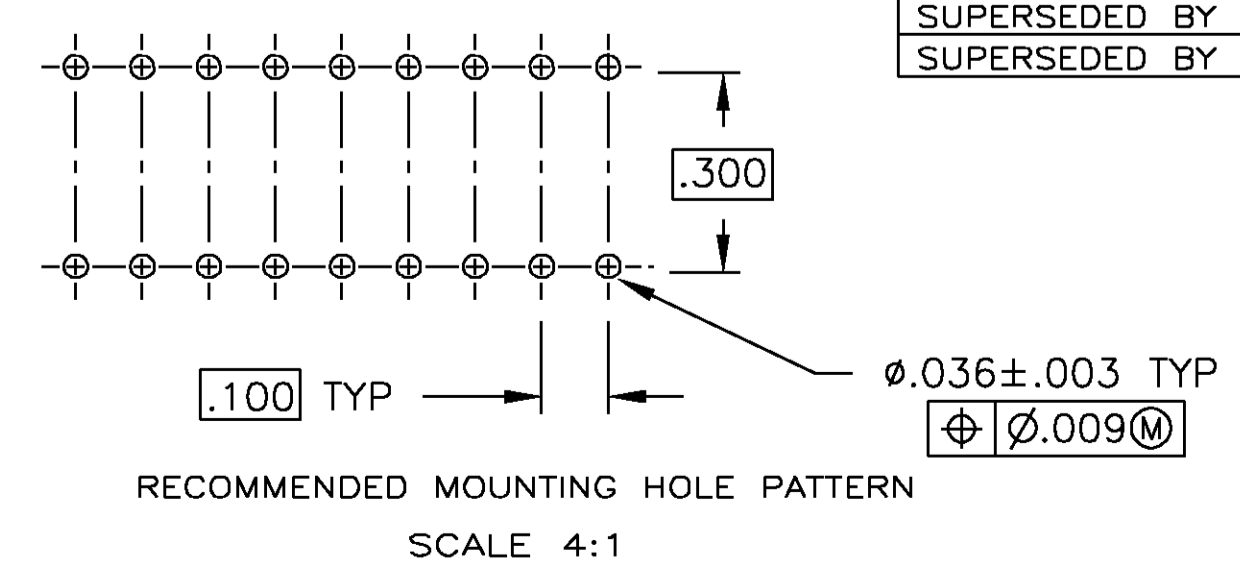
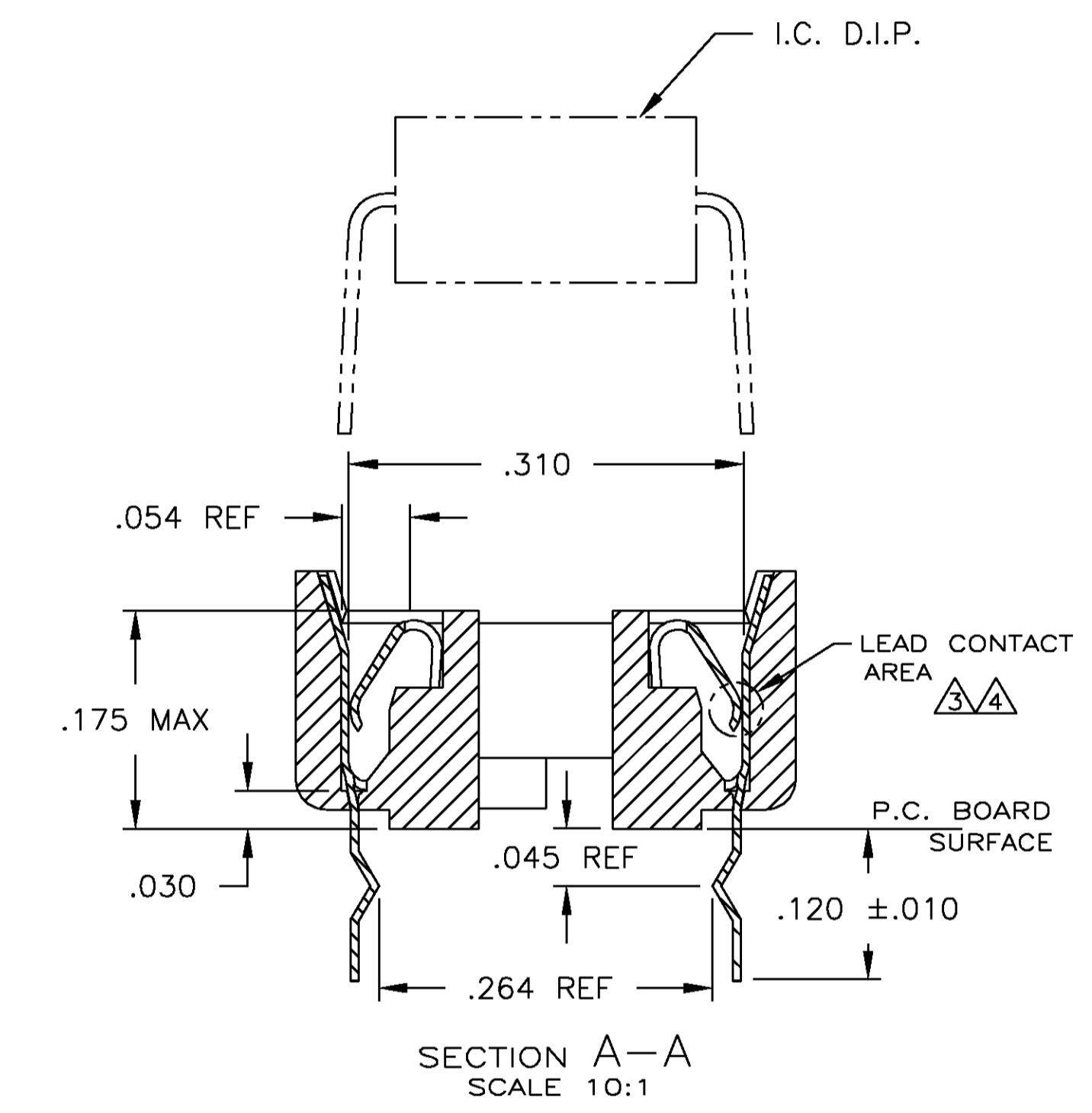
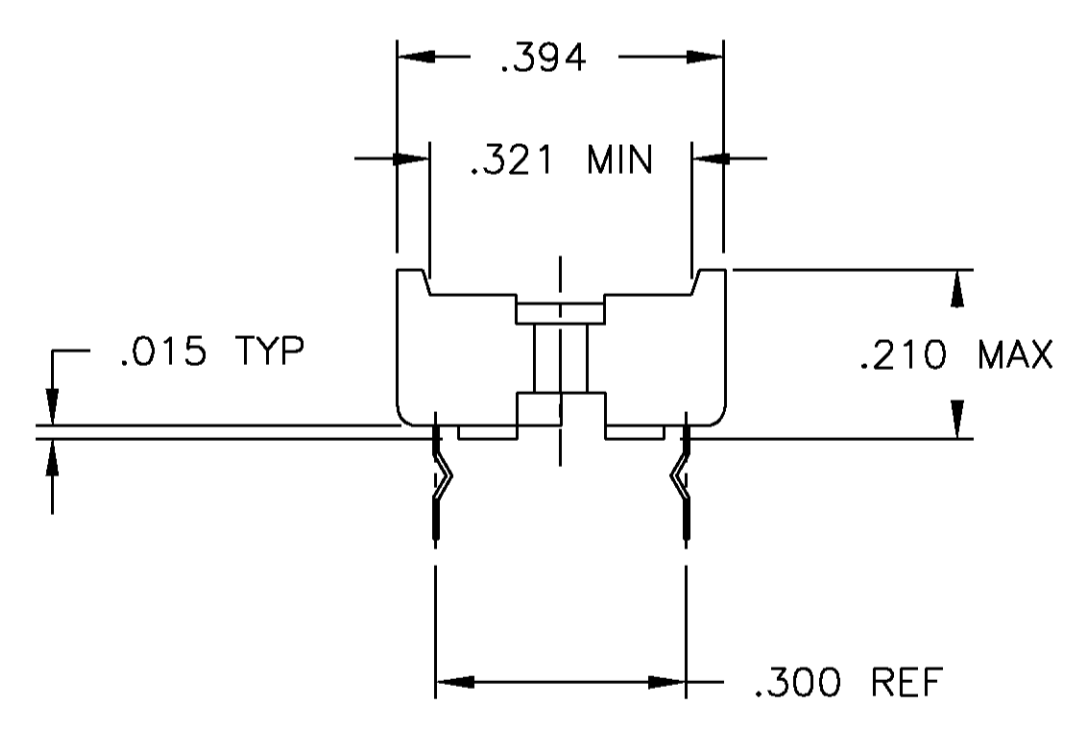
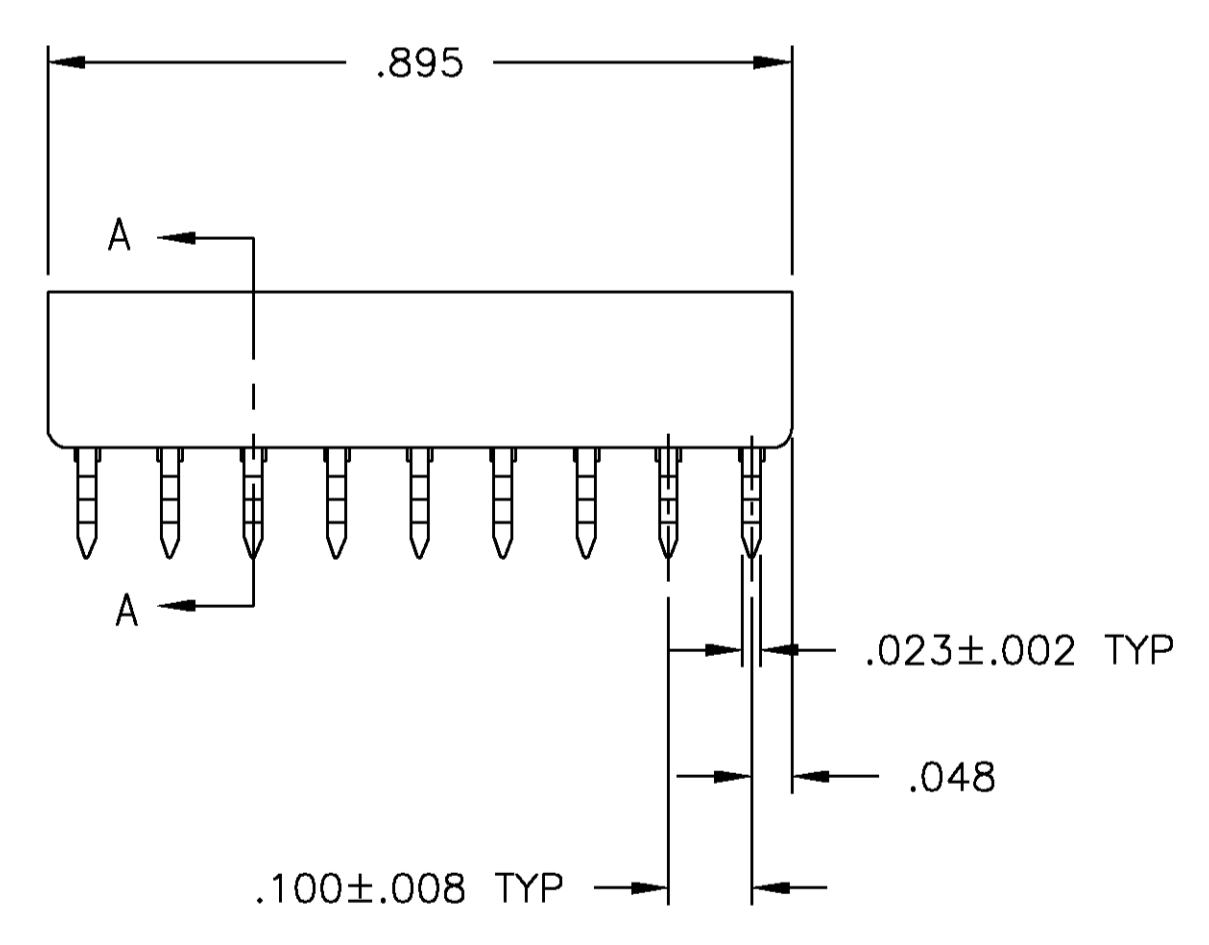
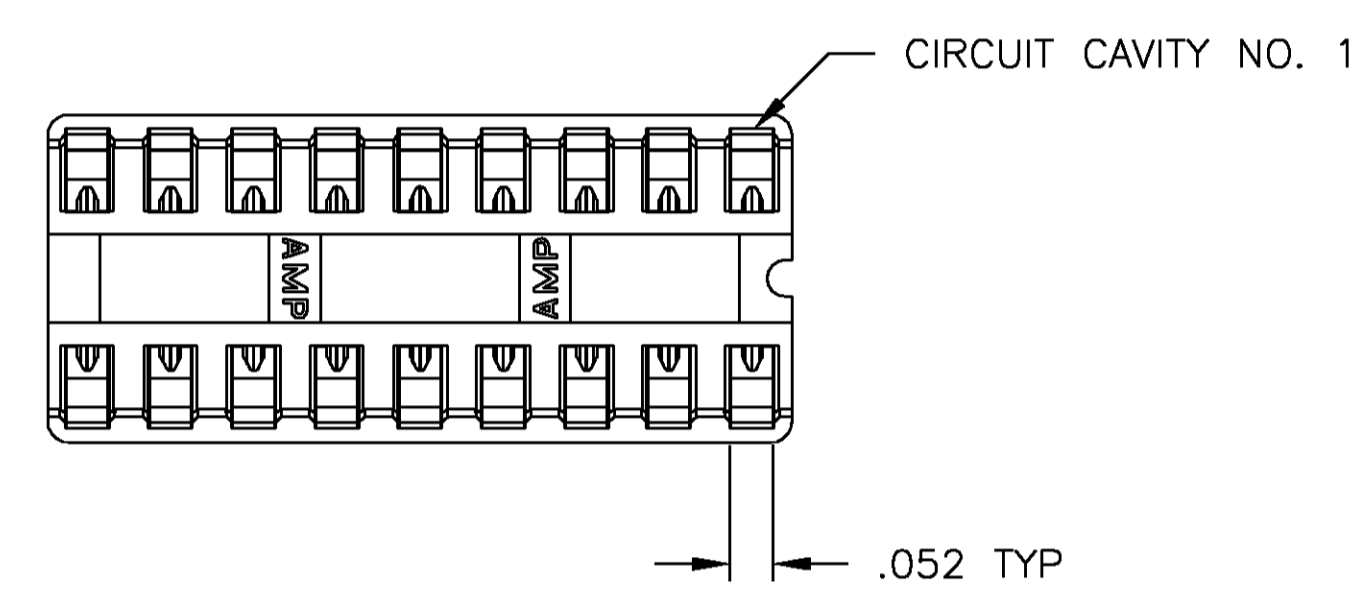
Documentation & Additional Information	
<p>Product Drawings:</p> <ul style="list-style-type: none"> • SOCKET ASSY, DIP, LADDER, RET LEG, 18 POS, DIPLOMATE... (PDF, English) <p>Catalog Pages/Data Sheets:</p> <ul style="list-style-type: none"> • None Available <p>Product Specifications:</p> <ul style="list-style-type: none"> • None Available <p>Application Specifications:</p> <ul style="list-style-type: none"> • DIPLOMATE Dual Leaf (DL) Low-Profile DIP Sockets (PDF, English) <p>Instruction Sheets:</p> <ul style="list-style-type: none"> • None Available <p>CAD Files:</p> <ul style="list-style-type: none"> • None Available 	<p>Additional Information:</p> <ul style="list-style-type: none"> • Product Line Information <p>Related Products:</p> <ul style="list-style-type: none"> • Tooling

[List all Documents](#)

Product Features (Please use the Product Drawing for all design activity)	
<p>Product Type Features:</p> <ul style="list-style-type: none"> • Socket Style = Standard • Profile = Standard • Frame Style = Ladder • Leg Style = Retention • Color = Black • Qty. Tubes/Box = 100 • Product Series = Standard <p>Electrical Characteristics:</p> <ul style="list-style-type: none"> • Insulation Resistance (MΩ) = 10,000 • Contact Resistance (mΩ) = 30 <p>Termination Features:</p> <ul style="list-style-type: none"> • Contact Termination Type = Through Hole • Termination Post Length (mm [in]) = 3.05 [0.120] • Solder Tail Contact Plating = Tin <p>Dimensions:</p> <ul style="list-style-type: none"> • Height Above PC Board (mm [in]) = 5.33 [0.210] <p>Body Features:</p> <ul style="list-style-type: none"> • Row-to-Row Spacing (mm [in]) = 7.87 [0.310] • Mount Style = Vertical <p>Contact Features:</p> <ul style="list-style-type: none"> • Contact Base Material = Beryllium Copper • Contact Plating, Mating Area, Material = Tin • Contact Style = Stamped + Formed • Mating Contact Type = Dual Leaf 	<p>Housing Features:</p> <ul style="list-style-type: none"> • Centerline (mm [in]) = 2.54 [0.100] • Housing Material = Thermoplastic - GF • UL Flammability Rating = UL 94V-0 <p>Configuration Features:</p> <ul style="list-style-type: none"> • Number of Positions = 18 <p>Industry Standards:</p> <ul style="list-style-type: none"> • RoHS/ELV Compliance = RoHS compliant, ELV compliant • Lead Free Solder Processes = Wave solder capable to 240°C • RoHS/ELV Compliance History = Always was RoHS compliant <p>Conditions for Usage:</p> <ul style="list-style-type: none"> • Temperature Range (°C) = 105 <p>Operation/Application:</p> <ul style="list-style-type: none"> • Application = Production <p>Packaging Features:</p> <ul style="list-style-type: none"> • Packaging Method = Tube • Qty./Tube = 23 <p>Other:</p> <ul style="list-style-type: none"> • Brand = AMP • Proprietary Name = DIPLOMATE DL • Comment = ONLY sockets with straight solder tails are recommended for automatic insertion.

LOC	DIST	REVISIONS			
P	UR	DESCRIPTION	DATE	DR	APD
FT	64	W	REV PER OG3C-0214-99	28AUG00	RB HW

- RECEPTACLE ACCEPTS A .008-.014 THICK I.C. LEAD.
- TUBE LOADED.
- TWO .000030 MIN THK. GOLD STRIPES IN CONTACT AREA WITH TIN-LEAD (93/7) ON CONTACT LEGS, BALANCE OF CONTACT NICKEL PLATED.
- TWO .000015 MIN THK. GOLD STRIPES IN CONTACT AREA WITH TIN-LEAD (93/7) ON CONTACT LEGS, BALANCE OF CONTACT NICKEL PLATED.



SUPERSEDED BY 2-641611-3	TINNED	PHOS.BRZ. .006 THK	GLASS-FILLED THERMOPLASTIC, 94V-O, BLACK	2-641611-5
SUPERSEDED BY 2-641611-2		PHOS.BRZ. .006 THK	GLASS-FILLED THERMOPLASTIC, 94V-O, BLACK	2-641611-4
	TINNED	PHOS.BRZ. .006 THK	GLASS-FILLED THERMOPLASTIC, 94V-O, BLACK	2-641611-3
		BE.CU. .006 THK	GLASS-FILLED THERMOPLASTIC, 94V-O, BLACK	2-641611-2
	TINNED	BE.CU. .006 THK	GLASS-FILLED THERMOPLASTIC, 94V-O, BLACK	2-641611-1
		CONTACT FINISH	CONTACT MAT'L	HOUSING MATERIAL
				PART NO.

THIS DRAWING IS A CONTROLLED DOCUMENT.		DR	R BROWN	28AUG00	Tyco Electronics Corporation Harrisburg, PA 17105
DIMENSIONS: INCHES		CHK	H WYNKOOP	28AUG00	
TOLERANCES UNLESS OTHERWISE SPECIFIED:		APD	H WYNKOOP	28AUG00	NAME
0 PLG ± -				108-1066	SOCKET ASSY, DIP, LADDER, RET LEG, 18 POS, DIPLOMATE™ DL
1 PLG ± -				114-1049	
2 PLG ± -					
3 PLG ± .005					
4 PLG ± -					
ANGLES ± -					
MATERIAL: SEE TABLE	FINISH: SEE TABLE	WEIGHT		SIZE	CAGE CODE
				A1	00779
				DRAWING NO	RESTRICTED TO
				641611	
				CUSTOMER DRAWING	SCALE 5:1 SHEET 1 OF 1 REV W

NOT THE LATEST REVISION