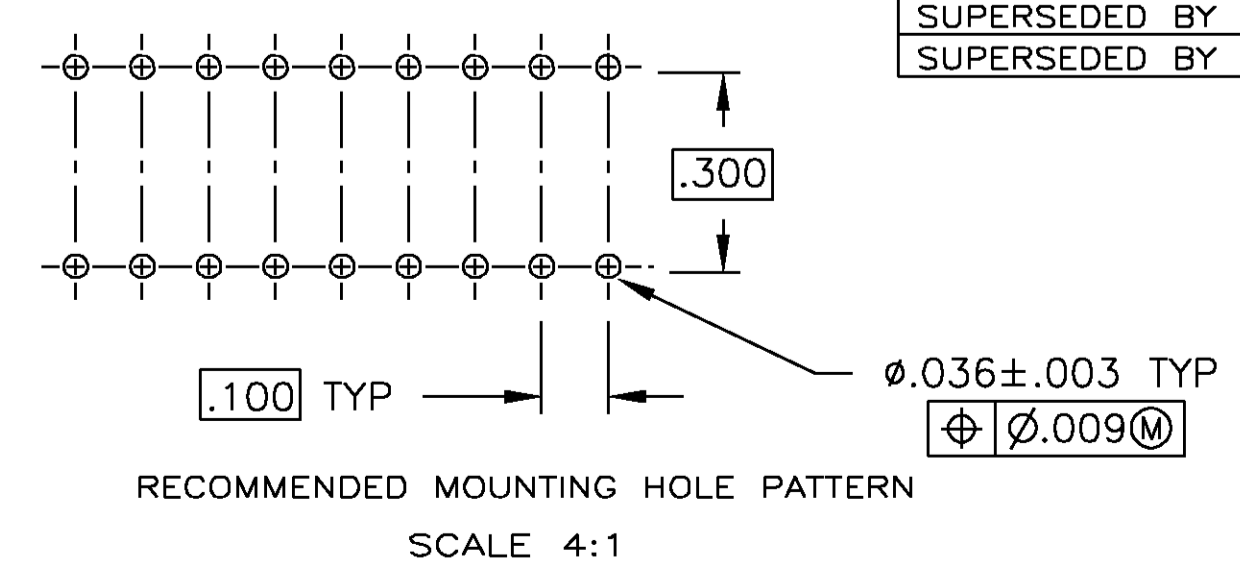
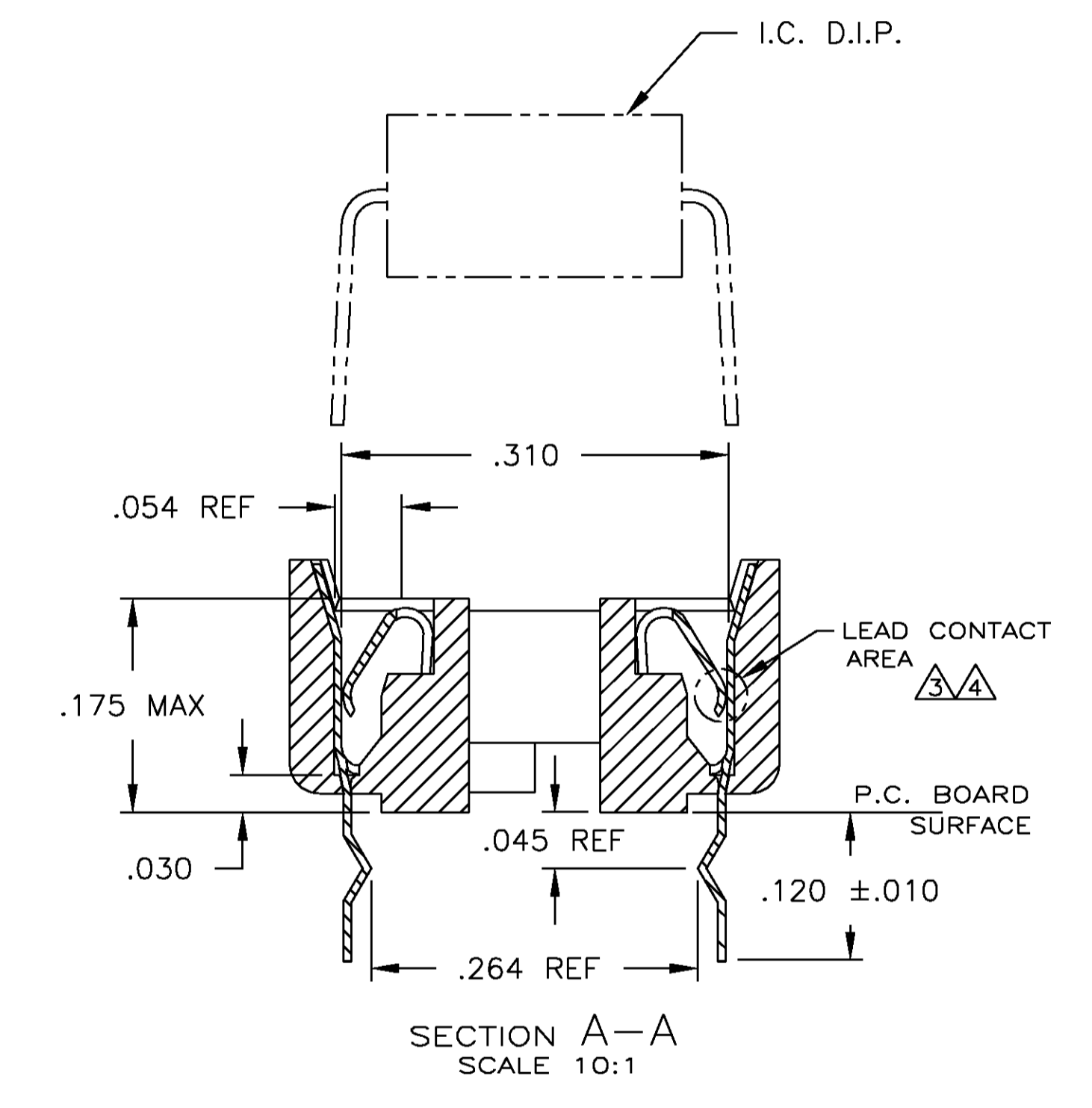
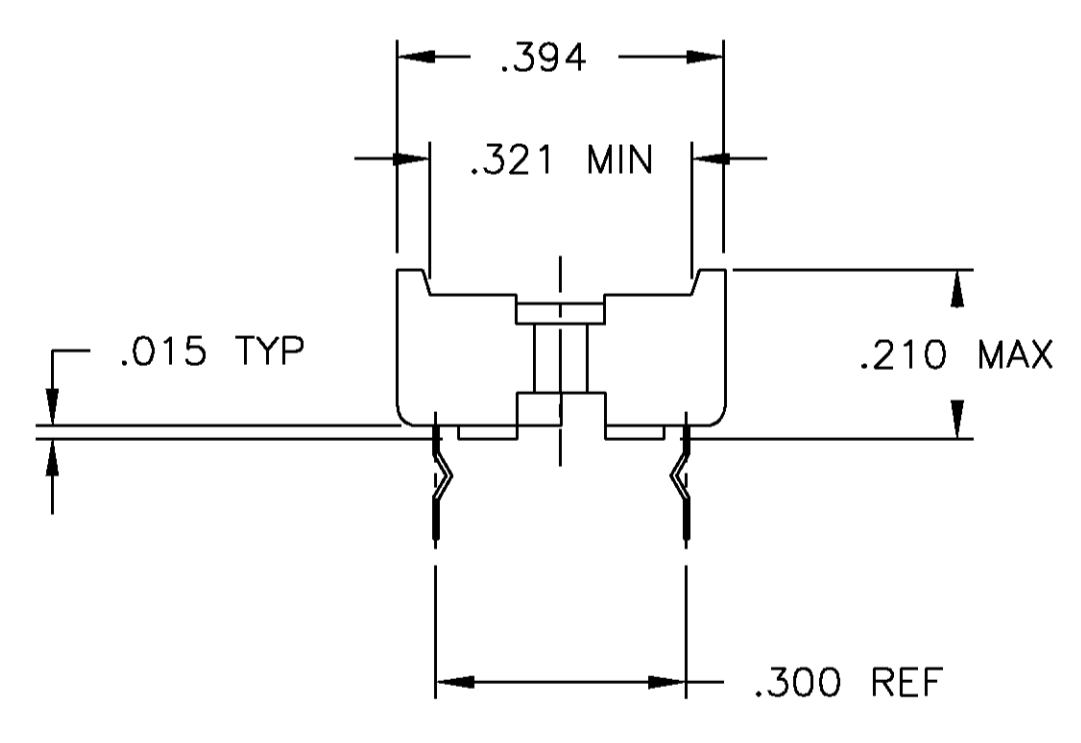
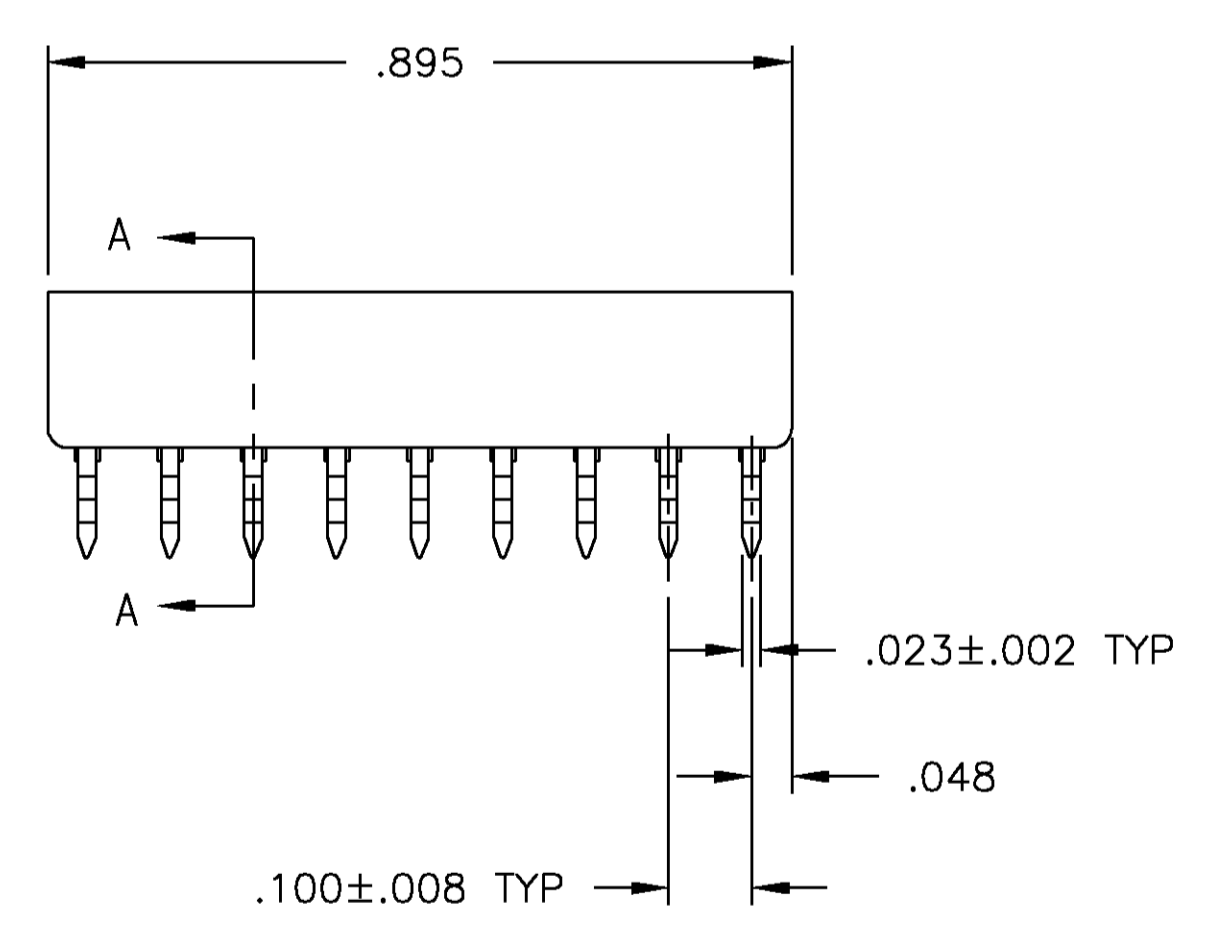
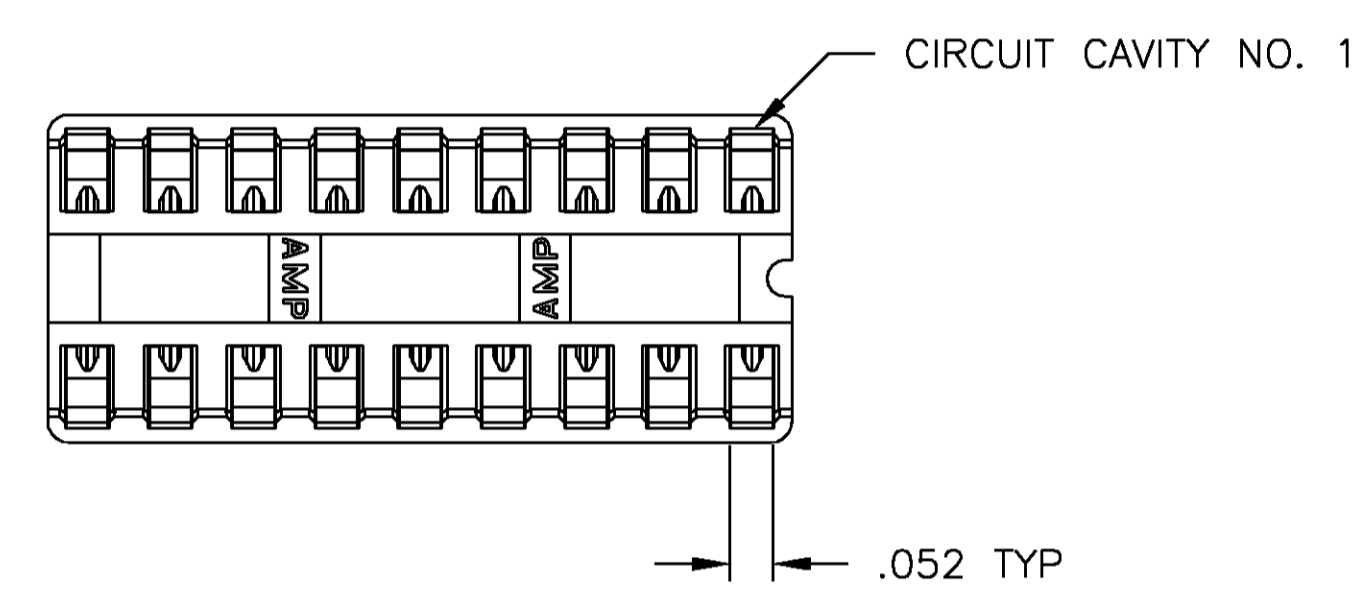


LOC	DIST	REVISIONS			
P	UR	DESCRIPTION	DATE	DR	APD
W	REV PER	OG3C-0214-99	28AUG00	RB	HW

1. RECEPTACLE ACCEPTS A .008-.014 THICK I.C. LEAD.
2. TUBE LOADED.
3. TWO .000030 MIN THK. GOLD STRIPES IN CONTACT AREA WITH TIN-LEAD (93/7) ON CONTACT LEGS, BALANCE OF CONTACT NICKEL PLATED.
4. TWO .000015 MIN THK. GOLD STRIPES IN CONTACT AREA WITH TIN-LEAD (93/7) ON CONTACT LEGS, BALANCE OF CONTACT NICKEL PLATED.



SUPERSEDED BY 2-641611-3	TINNED	PHOS.BRZ. .006 THK	GLASS-FILLED THERMOPLASTIC, 94V-O, BLACK	2-641611-5
SUPERSEDED BY 2-641611-2	TINNED	PHOS.BRZ. .006 THK	GLASS-FILLED THERMOPLASTIC, 94V-O, BLACK	2-641611-4
	TINNED	PHOS.BRZ. .006 THK	GLASS-FILLED THERMOPLASTIC, 94V-O, BLACK	2-641611-3
	TINNED	BE.CU. .006 THK	GLASS-FILLED THERMOPLASTIC, 94V-O, BLACK	2-641611-2
	TINNED	BE.CU. .006 THK	GLASS-FILLED THERMOPLASTIC, 94V-O, BLACK	2-641611-1
	CONTACT FINISH	CONTACT MAT'L	HOUSING MATERIAL	PART NO.

THIS DRAWING IS A CONTROLLED DOCUMENT.		DR	R BROWN	28AUG00	Tyco Electronics Corporation Harrisburg, PA 17105	
DIMENSIONS: INCHES		CHK	H WYNKOOP	28AUG00	NAME	
TOLERANCES UNLESS OTHERWISE SPECIFIED:		APD	H WYNKOOP	28AUG00	PRODUCT SPEC	
0 PLG ± -				108-1066		
1 PLG ± -				APPLICATION SPEC		
2 PLG ± .005				114-1049		
3 PLG ± .005				SIZE CASE CODE DRAWING NO		
4 PLG ± -				A1 00779 ©-641611		
ANGLES ± -				RESTRICTED TO		
MATERIAL SEE TABLE	FINISH SEE TABLE	WEIGHT		CUSTOMER DRAWING		

NOT THE LATEST REVISION