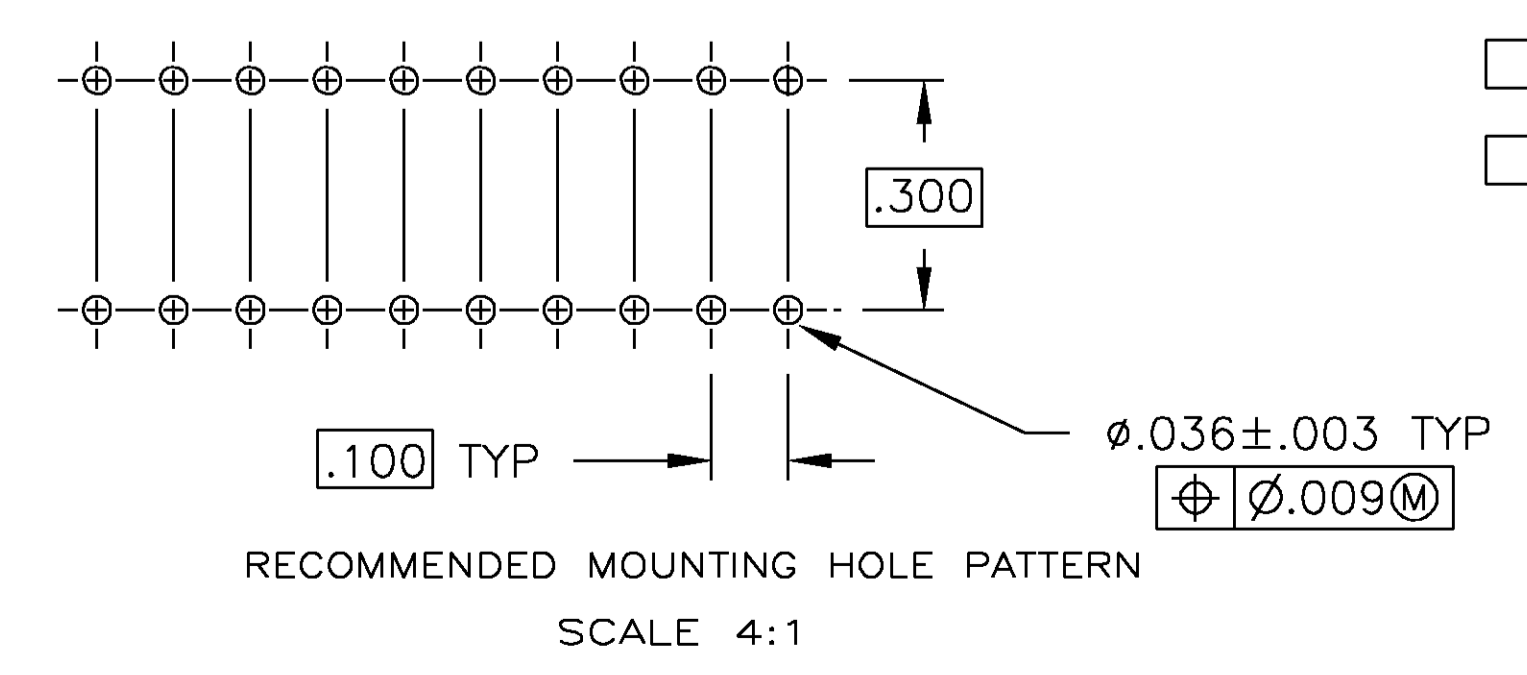
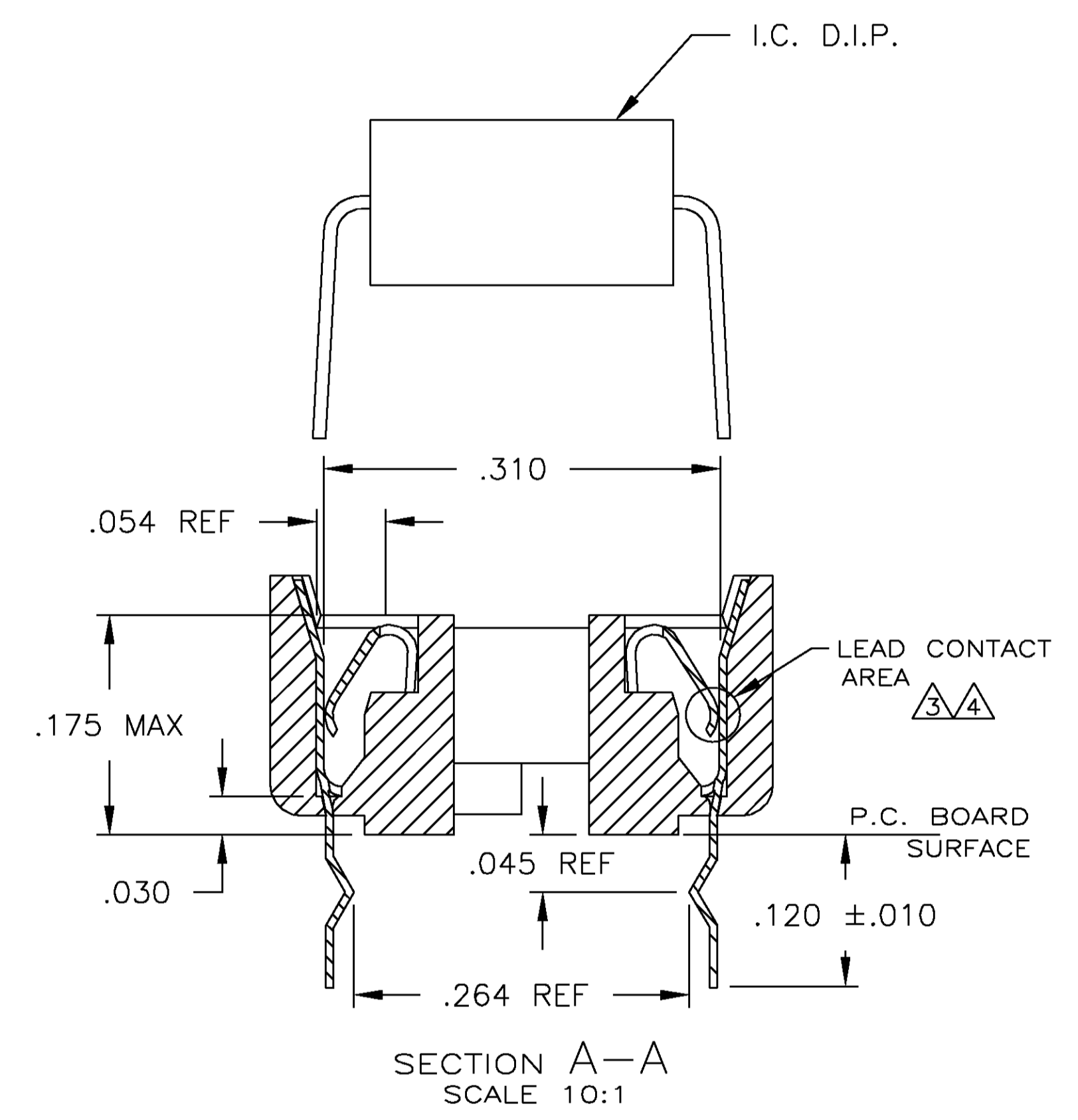
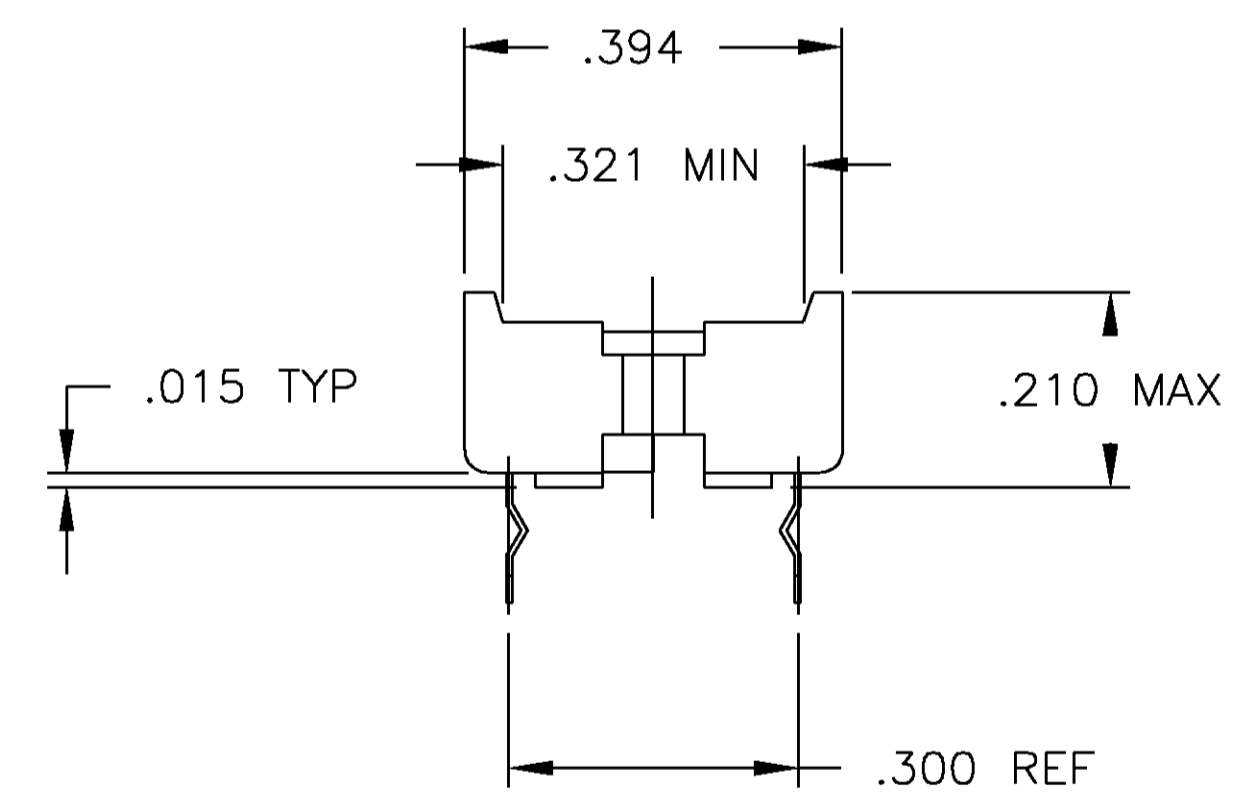
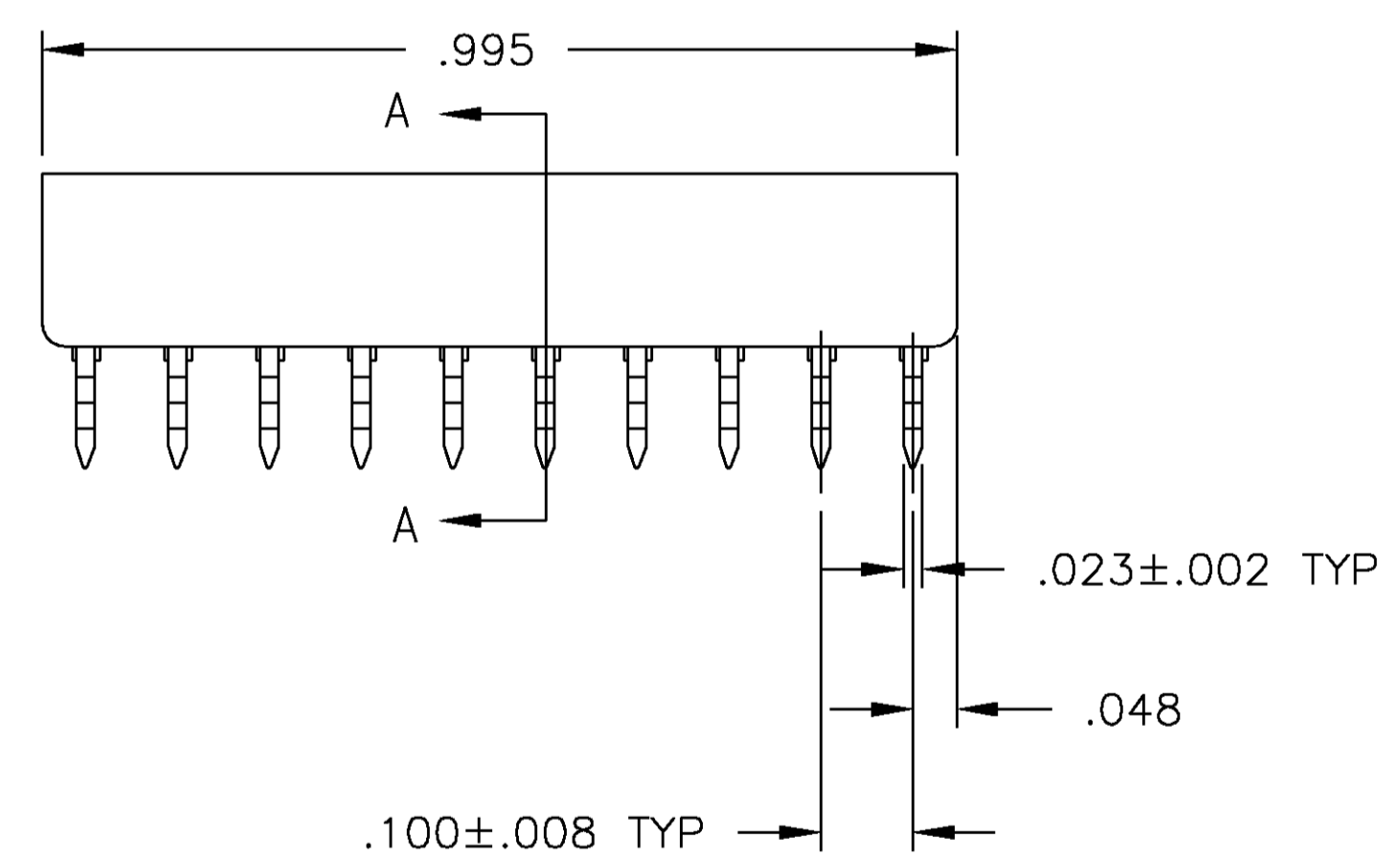
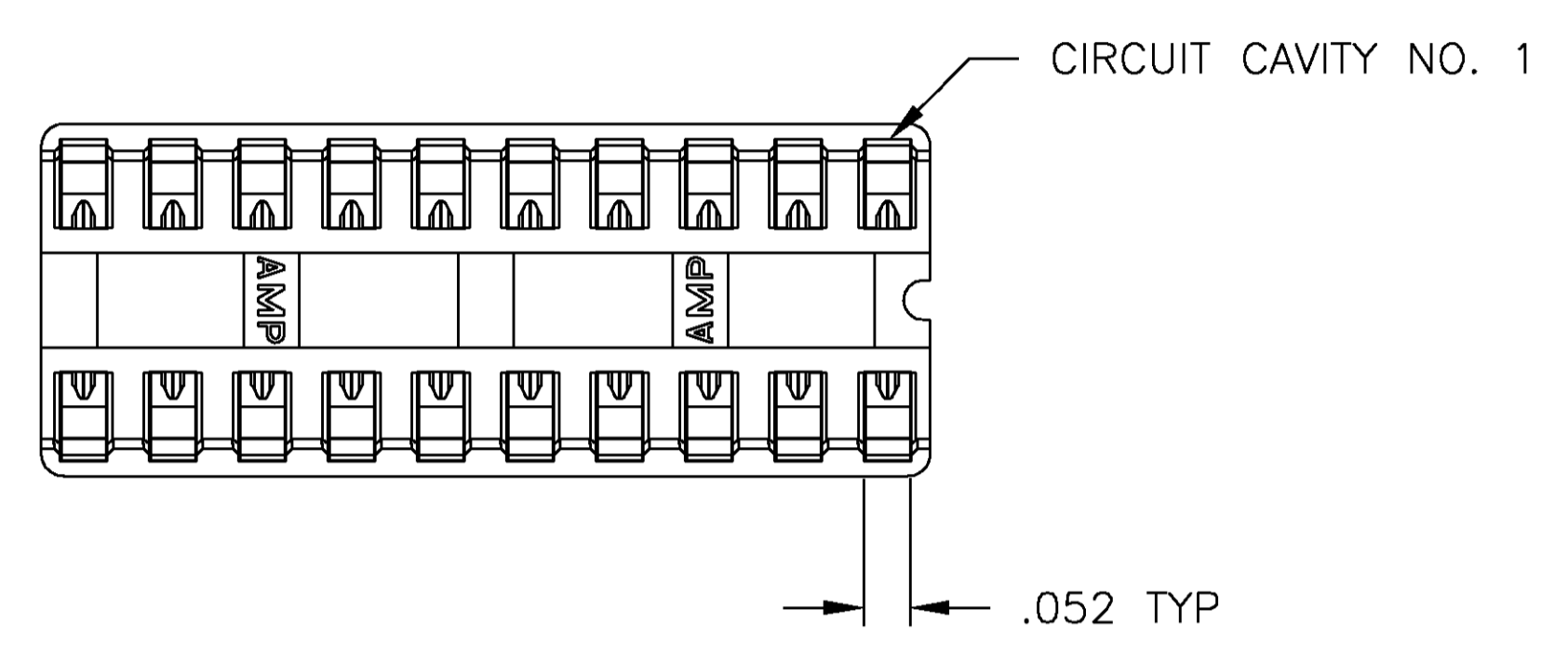


- RECEPTACLE ACCEPTS A .008-.014 THICK I.C. LEAD.
- TUBE LOADED.
- TWO .000030 MIN THK. GOLD STRIPES IN CONTACT AREA WITH TIN-LEAD (93/7) ON CONTACT LEGS, BALANCE OF CONTACT NICKEL PLATED.
- TWO .000015 MIN THK. GOLD STRIPES IN CONTACT AREA WITH TIN-LEAD (93/7) ON CONTACT LEGS, BALANCE OF CONTACT NICKEL PLATED.



OBSOLETE	TINNED	PHOS.BRZ. .006 THK	GLASS-FILLED THERMOPLASTIC, 94V-O, BLACK	2-641612-5
		PHOS.BRZ. .006 THK	GLASS-FILLED THERMOPLASTIC, 94V-O, BLACK	2-641612-4
OBSOLETE	TINNED	PHOS.BRZ. .006 THK	GLASS-FILLED THERMOPLASTIC, 94V-O, BLACK	2-641612-3
		BE.CU. .006 THK	GLASS-FILLED THERMOPLASTIC, 94V-O, BLACK	2-641612-2
	TINNED	BE.CU. .006 THK	GLASS-FILLED THERMOPLASTIC, 94V-O, BLACK	2-641612-1
CONTACT FINISH		CONTACT MAT'L	HOUSING MATERIAL	PART NO.

THIS DRAWING IS A CONTROLLED DOCUMENT.

DW	R BROWN	09JAN01	AMP Tyco Electronics Corporation Harrisburg, PA 17105
CHK	H WYNKOOP	17NOV00	
APVD	H WYNKOOP	17NOV00	NAME SOCKET ASSY, DIP, LADDER, RET LEG, 20 POS, DIPLOMATE™ DL
PRODUCT SPEC	108-1066		
APPLICATION SPEC	114-1049		SIZE
WEIGHT	-		CAGE CODE
MATERIAL	SEE TABLE		DRAWING NO
FINISH	SEE TABLE		RESTRICTED TO
CUSTOMER DRAWING			SCALE 5:1 SHEET 1 OF 1 REV V