



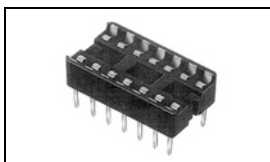
Have a Question?
Chat with a Product Information Specialist

What can we help you find?

[Products](#) [Industries](#) [Resources](#) [About TE](#) [My Account](#) [Innovation](#) [Support Center](#)

2-641612-1 Product Details

[Share](#) [Print](#) [Email](#)



2-641612-1

TE Internal Number: 2-641612-1

Active

[View 3D PDF](#)

DIP Sockets

Always EU RoHS/ELV Compliant (Statement of Compliance)

Product Highlights:

- Socket Style = Standard
- Through Hole Contact Termination Type
- 2.54 mm Centerline
- Row-to-Row Spacing = 7.87 mm
- 20 Positions

[View all Features](#)

Quick Links

- ▶ [Pricing & Availability](#)
- ▶ [Search for Tooling](#)
- ▶ [Product Feature Selector](#)
- ▶ [Contact Us About This Product](#)

[Add to My Part List](#) [Request Sample](#) [Find Similar Products](#) [Buy Product](#)

Documentation & Additional Information

Product Drawings:

- [SOCKET ASSY, DIP, LADDER, RET LEG, 20 POS, DIPLOMATE...](#) (PDF, English)

Catalog Pages/Data Sheets:

- None Available

Product Specifications:

- None Available

Application Specifications:

- [DIPLOMATE Dual Leaf \(DL\) Low-Profile DIP Sockets](#) (PDF, English)

Instruction Sheets:

- None Available

CAD Files: [\(CAD Format & Compression Information\)](#)

- [2D Drawing](#) (DXF, Version V)
- [3D Model](#) (IGES, Version V)
- [3D Model](#) (STEP, Version V)

[List all Documents](#)

Additional Information:

- [Product Line Information](#)

Related Products:

- [Tooling](#)

Product Features (Please use the Product Drawing for all design activity)

Product Type Features:

- [Socket Style](#) = Standard
- [Profile](#) = Standard
- [Frame Style](#) = Ladder
- [Leg Style](#) = Retention
- [Color](#) = Black
- [Qty. Tubes/Box](#) = 100
- [Product Series](#) = Standard

Electrical Characteristics:

- [Insulation Resistance \(MΩ\)](#) = 10,000
- [Contact Resistance \(mΩ\)](#) = 30

Termination Features:

- [Contact Termination Type](#) = Through Hole
- [Termination Post Length \(mm \[in\]\)](#) = 3.05 [0.120]
- [Solder Tail Contact Plating](#) = Tin

Dimensions:

- [Height Above PC Board \(mm \[in\]\)](#) = 5.33 [0.210]

Body Features:

- [Row-to-Row Spacing \(mm \[in\]\)](#) = 7.87 [0.310]
- [Mount Style](#) = Vertical

Contact Features:

- [Contact Base Material](#) = Beryllium Copper
- [Contact Plating, Mating Area, Material](#) = Tin
- [Contact Style](#) = Stamped + Formed
- [Mating Contact Type](#) = Dual Leaf

Housing Features:

- [Centerline \(mm \[in\]\)](#) = 2.54 [0.100]
- [Housing Material](#) = Thermoplastic - GF
- [UL Flammability Rating](#) = UL 94V-0

Configuration Features:

- [Number of Positions](#) = 20

Industry Standards:

- [RoHS/ELV Compliance](#) = RoHS compliant, ELV compliant
- [Lead Free Solder Processes](#) = Wave solder capable to 240°C
- [RoHS/ELV Compliance History](#) = Always was RoHS compliant

Conditions for Usage:

- [Temperature Range \(°C\)](#) = 105

Operation/Application:

- [Application](#) = Production

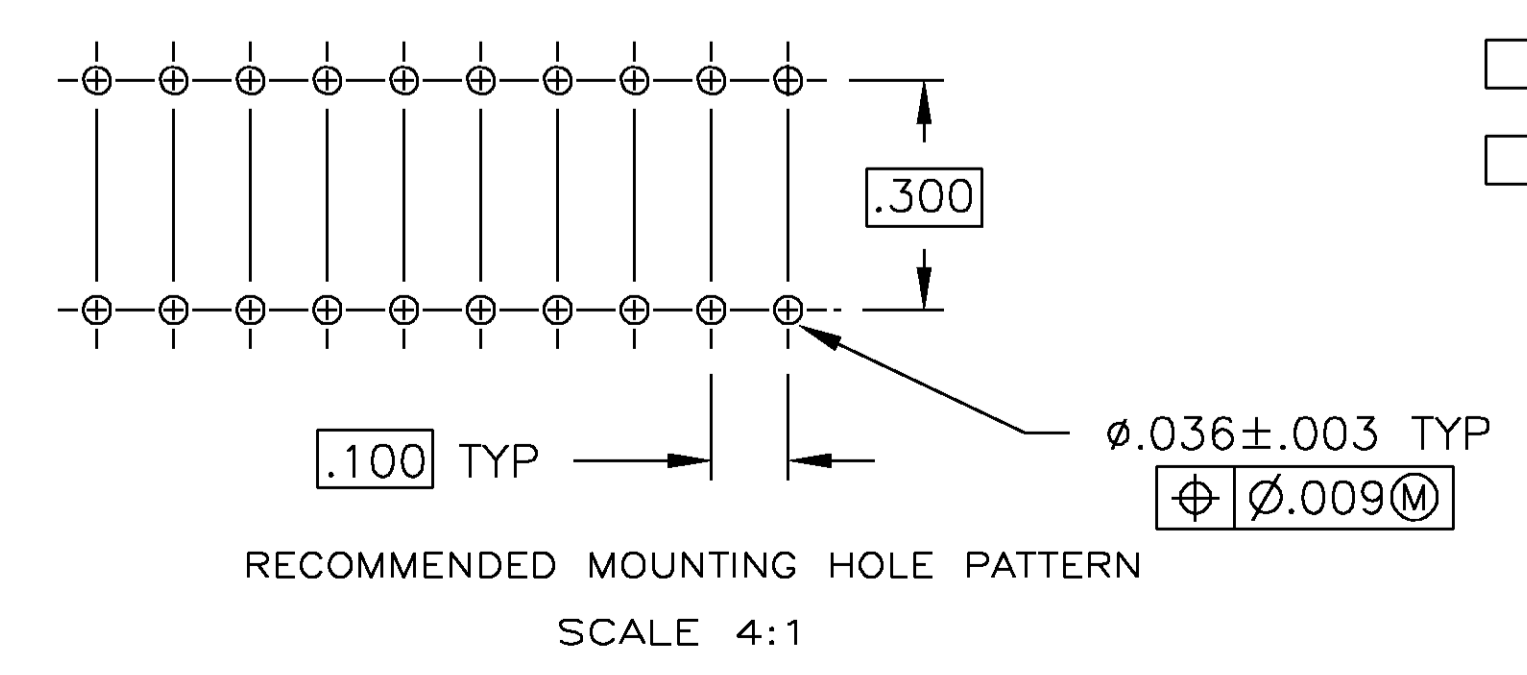
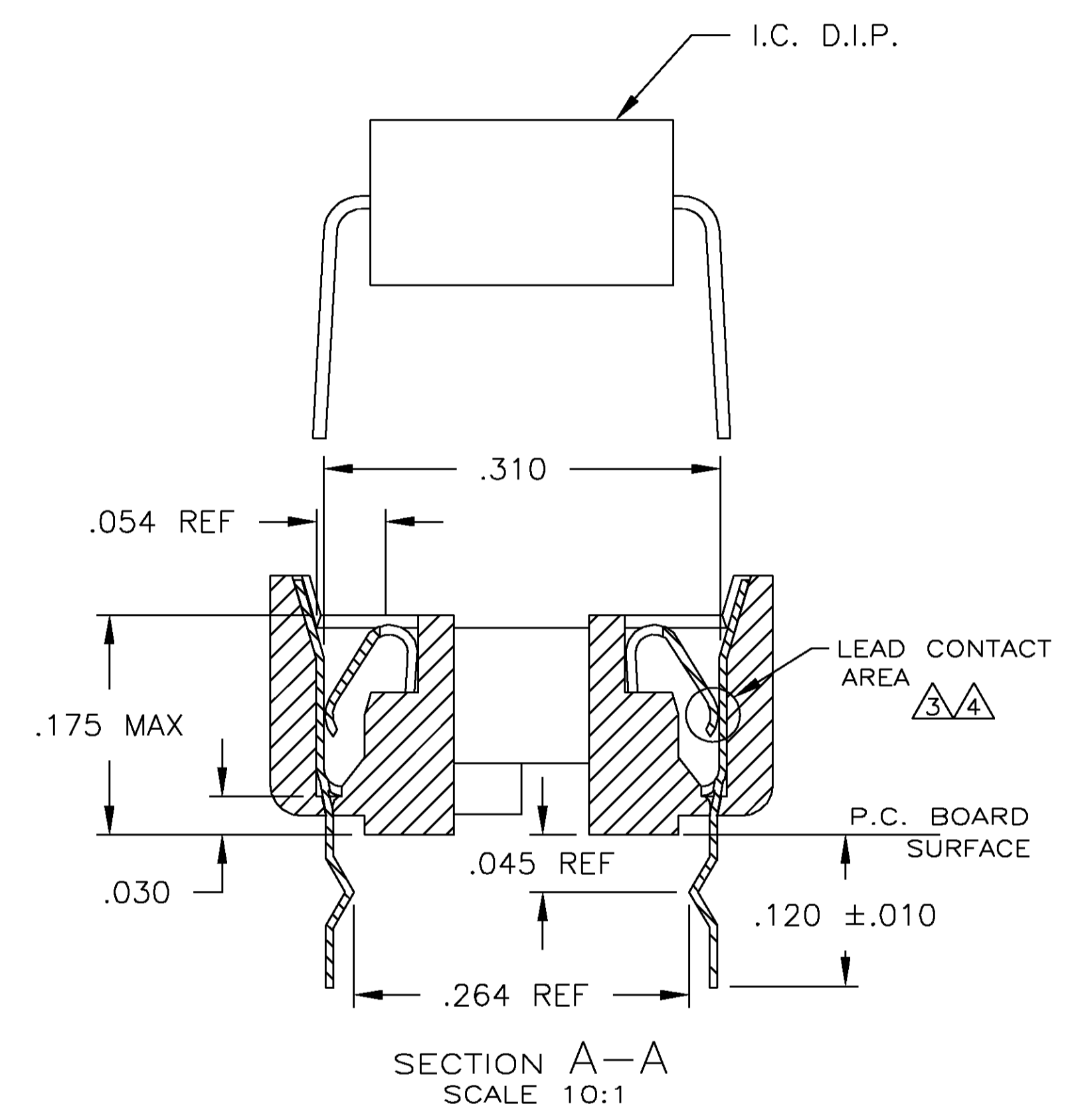
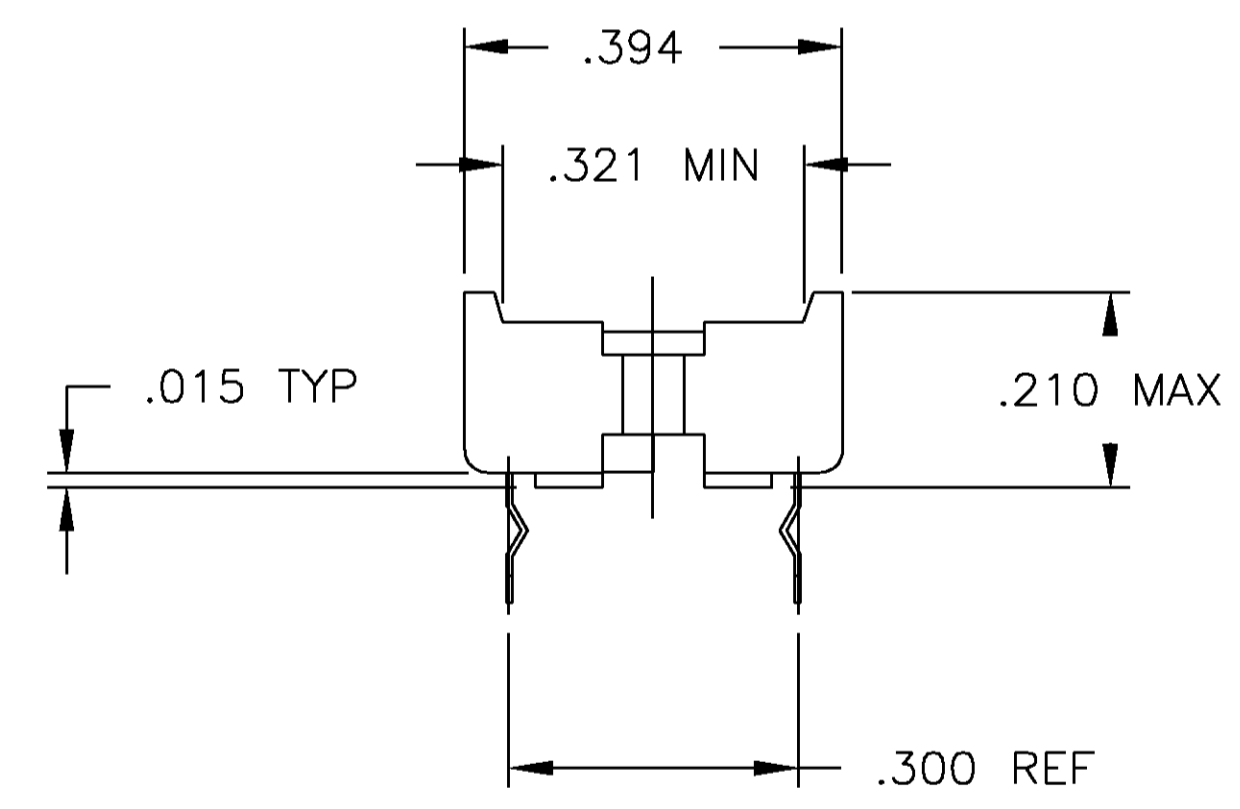
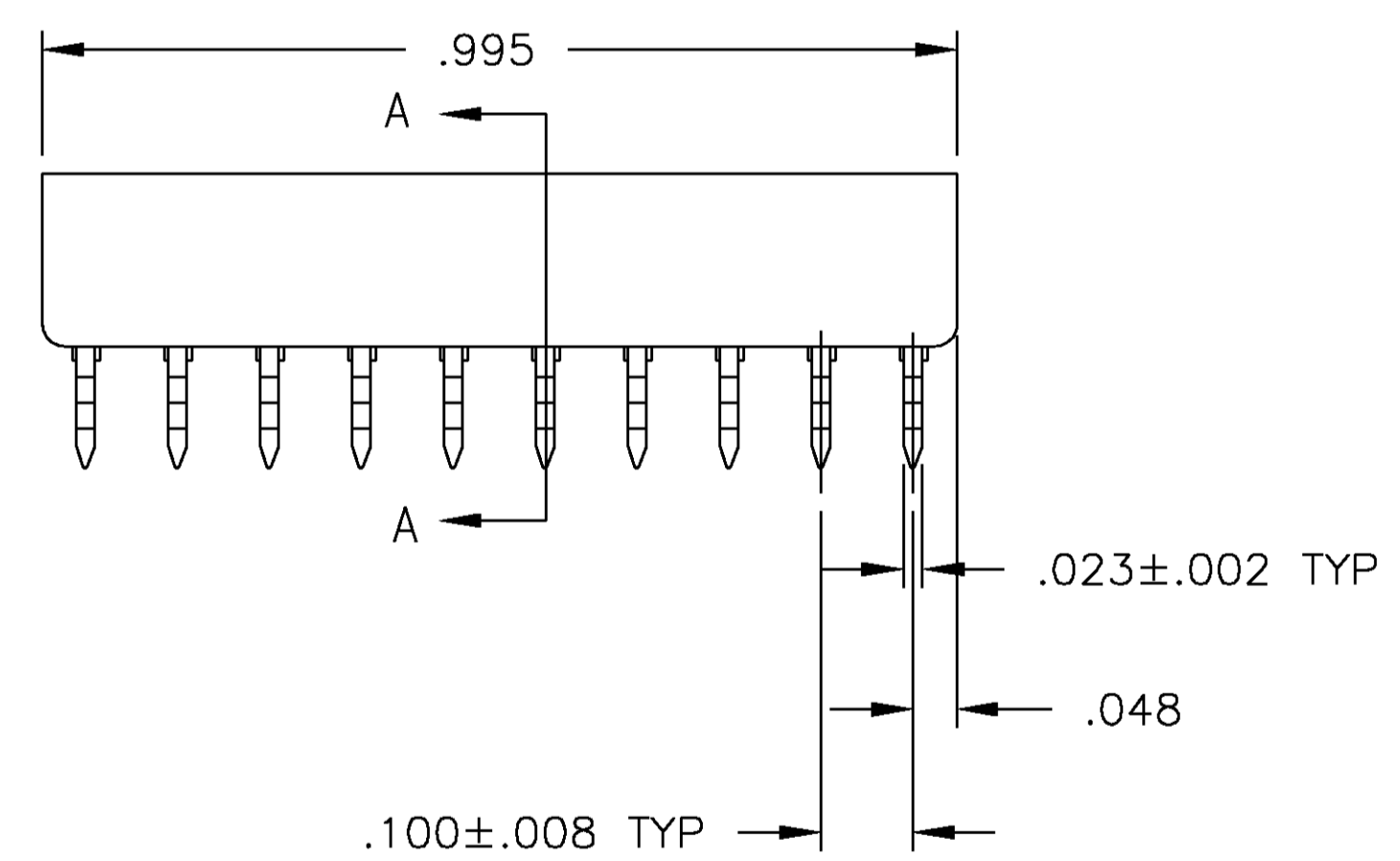
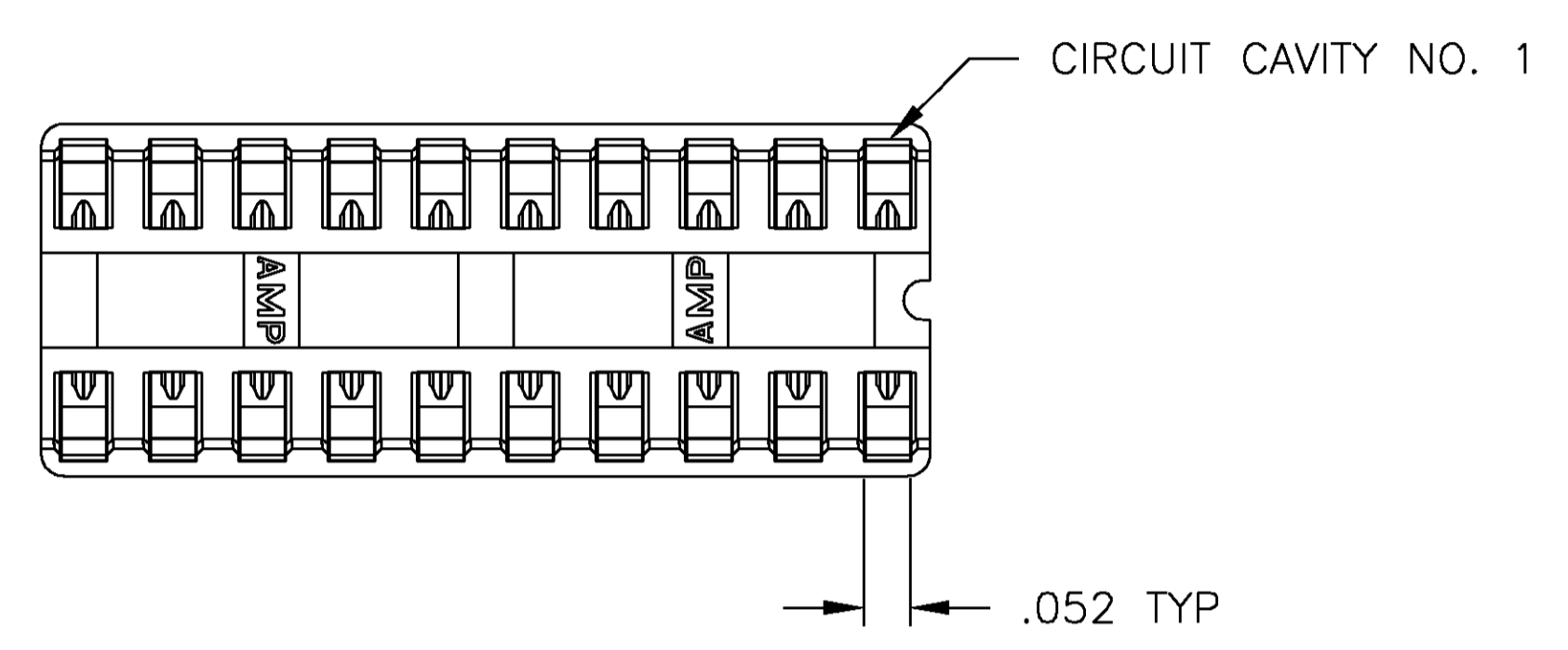
Packaging Features:

- [Packaging Method](#) = Tube
- [Qty./Tube](#) = 21

Other:

- [Brand](#) = AMP
- [Proprietary Name](#) = DIPLOMATE DL
- [Comment](#) = ONLY sockets with straight solder tails are recommended for automatic insertion.

1. RECEPTACLE ACCEPTS A .008-.014 THICK I.C. LEAD.
2. TUBE LOADED.
3. TWO .000030 MIN THK. GOLD STRIPES IN CONTACT AREA WITH TIN-LEAD (93/7) ON CONTACT LEGS, BALANCE OF CONTACT NICKEL PLATED.
4. TWO .000015 MIN THK. GOLD STRIPES IN CONTACT AREA WITH TIN-LEAD (93/7) ON CONTACT LEGS, BALANCE OF CONTACT NICKEL PLATED.



OBSOLETE	TINNED	PHOS.BRZ. .006 THK	GLASS-FILLED THERMOPLASTIC, 94V-O, BLACK	2-641612-5
	3	PHOS.BRZ. .006 THK	GLASS-FILLED THERMOPLASTIC, 94V-O, BLACK	2-641612-4
OBSOLETE	TINNED	PHOS.BRZ. .006 THK	GLASS-FILLED THERMOPLASTIC, 94V-O, BLACK	2-641612-3
	3	BE.CU. .006 THK	GLASS-FILLED THERMOPLASTIC, 94V-O, BLACK	2-641612-2
	TINNED	BE.CU. .006 THK	GLASS-FILLED THERMOPLASTIC, 94V-O, BLACK	2-641612-1
	CONTACT FINISH	CONTACT MAT'L	HOUSING MATERIAL	PART NO.

THIS DRAWING IS A CONTROLLED DOCUMENT.

DIMENSIONS: INCHES	TOLERANCES UNLESS OTHERWISE SPECIFIED:	APVD H WYNKOOP	NAME
0 PLC ± -	1 PLC ± -	17NOV00	SOCKET ASSY, DIP, LADDER, RET LEG, 20 POS, DIPLOMATE™ DL
2 PLC ± -	3 PLC ± .005	108-1066	APPLICATION SPEC
4 PLC ± -	ANGLES ± α-30°	114-1049	SIZE CODE DRAWING NO
MATERIAL SEE TABLE	FINISH SEE TABLE	WEIGHT -	A1 00779 ©=641612
		CUSTOMER DRAWING	SCALE: 5:1 SHEET 1 OF 1 REV V

AMP Tyco Electronics Corporation
Harrisburg, PA 17105

NOT THE LATEST REVISION