

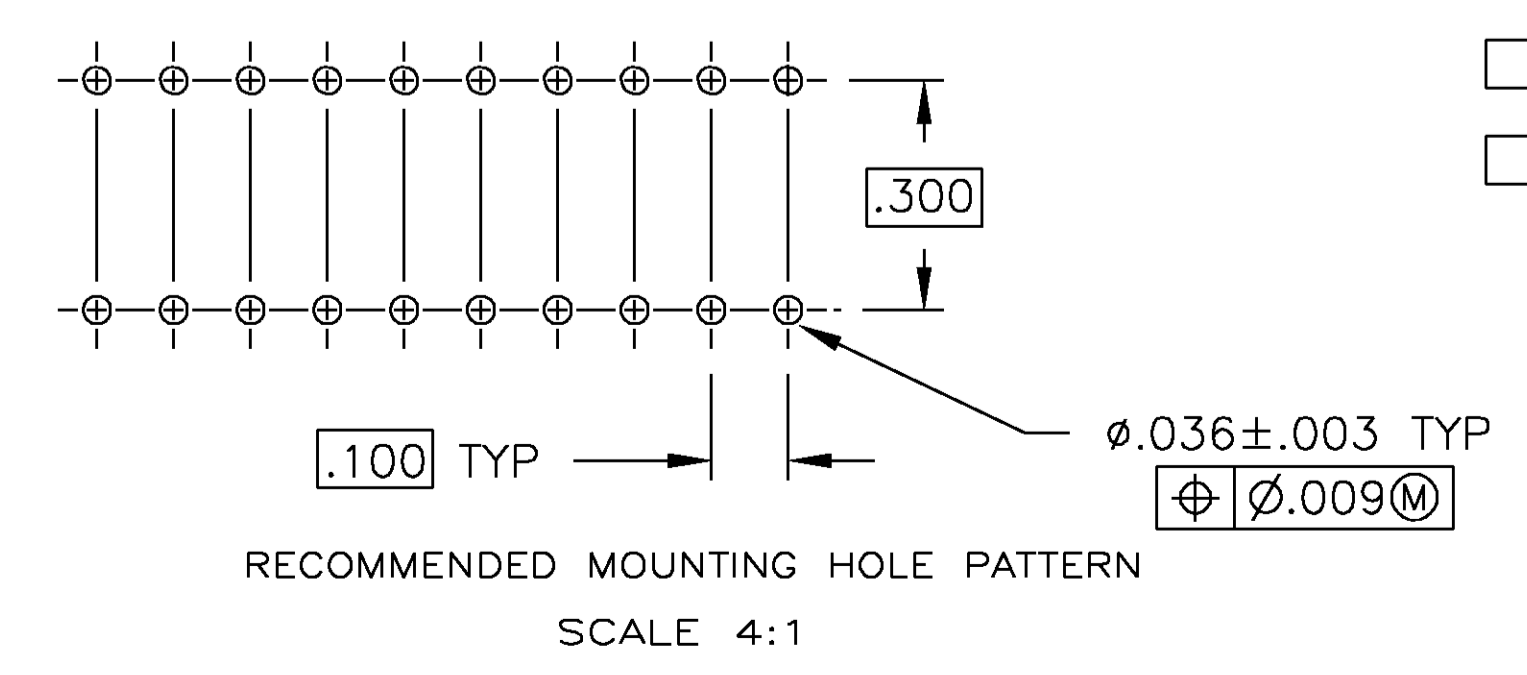
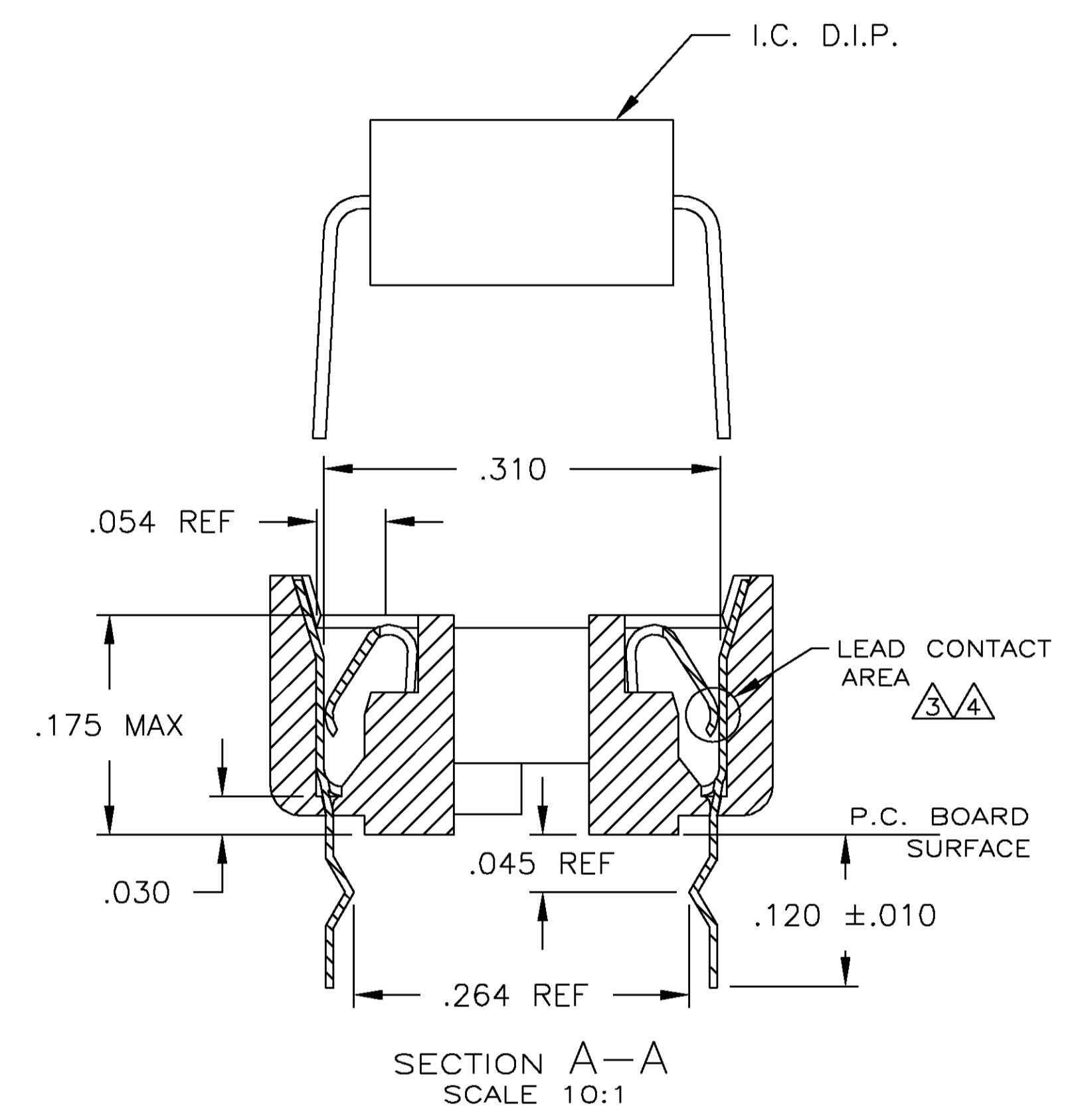
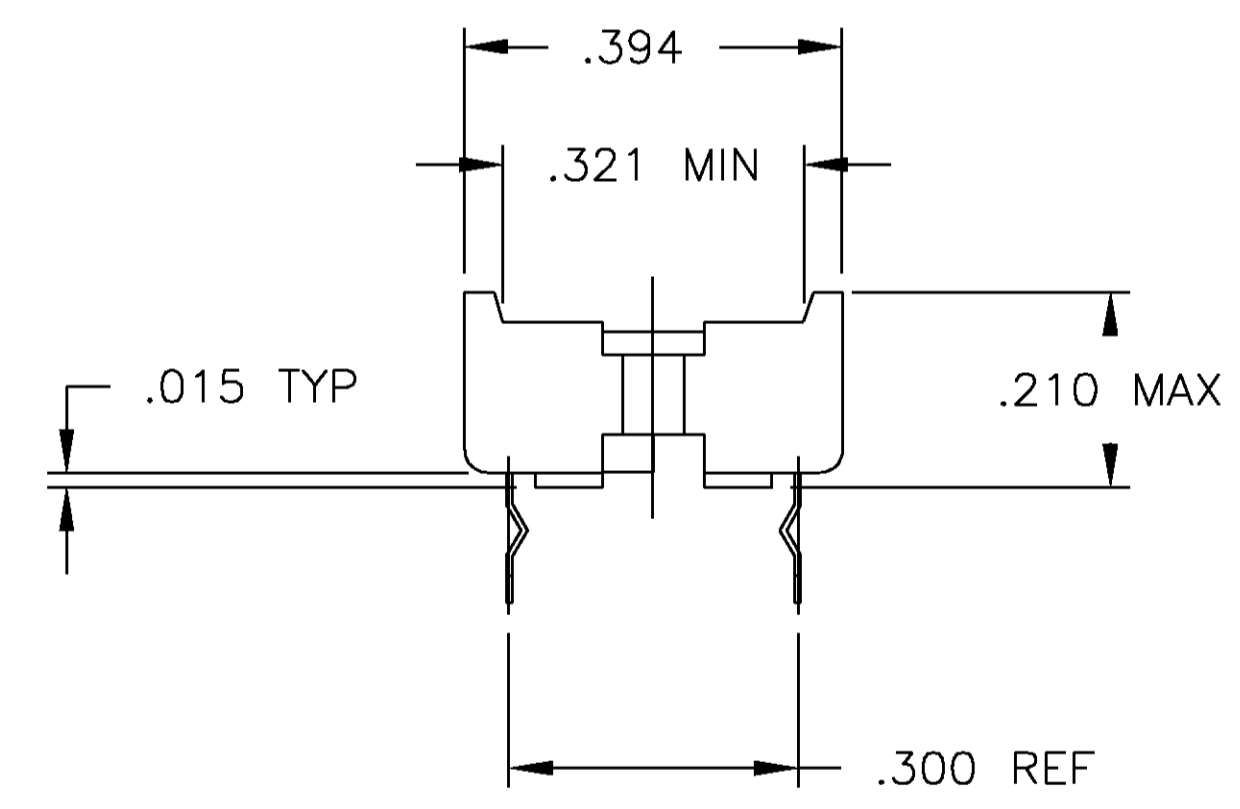
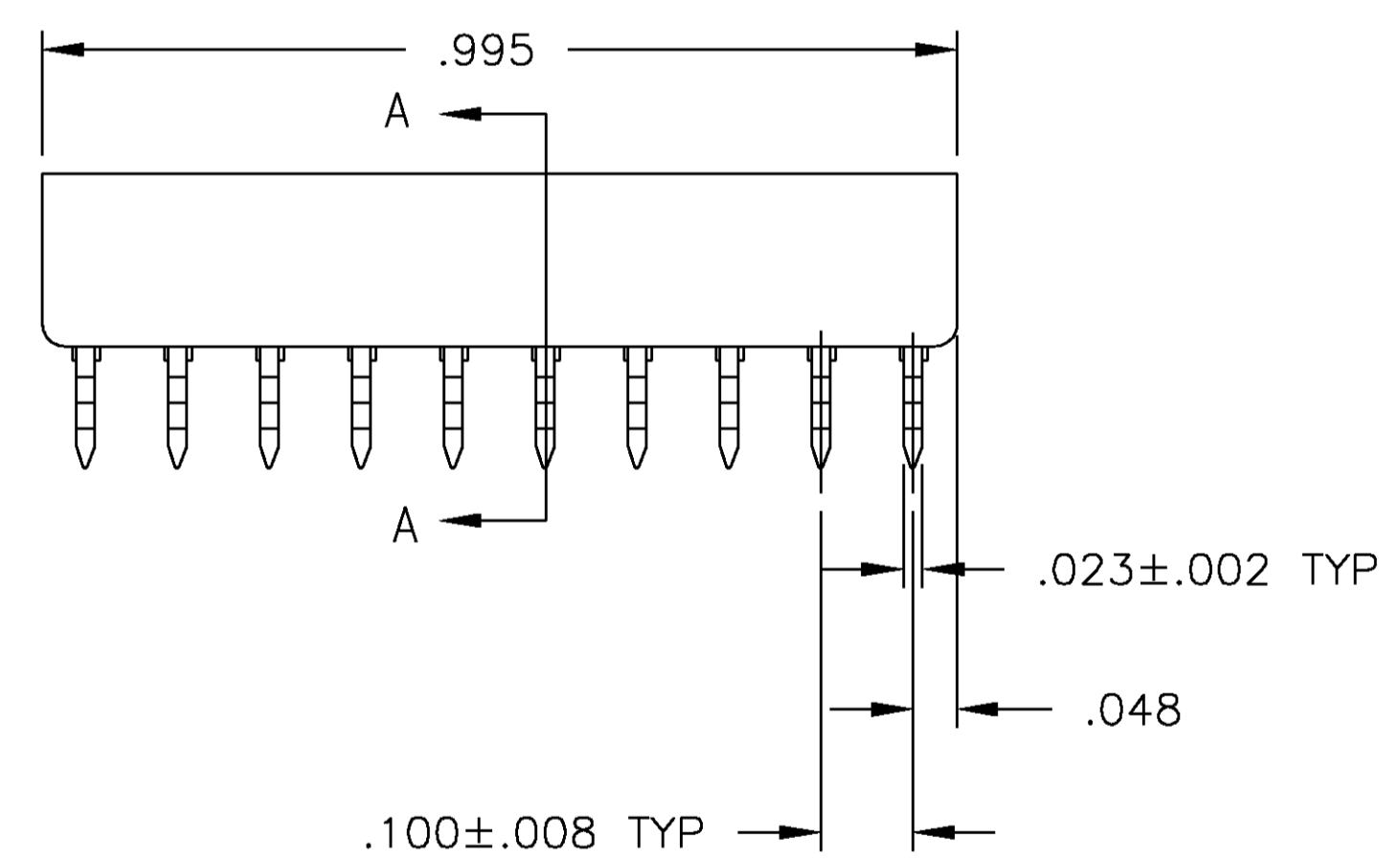
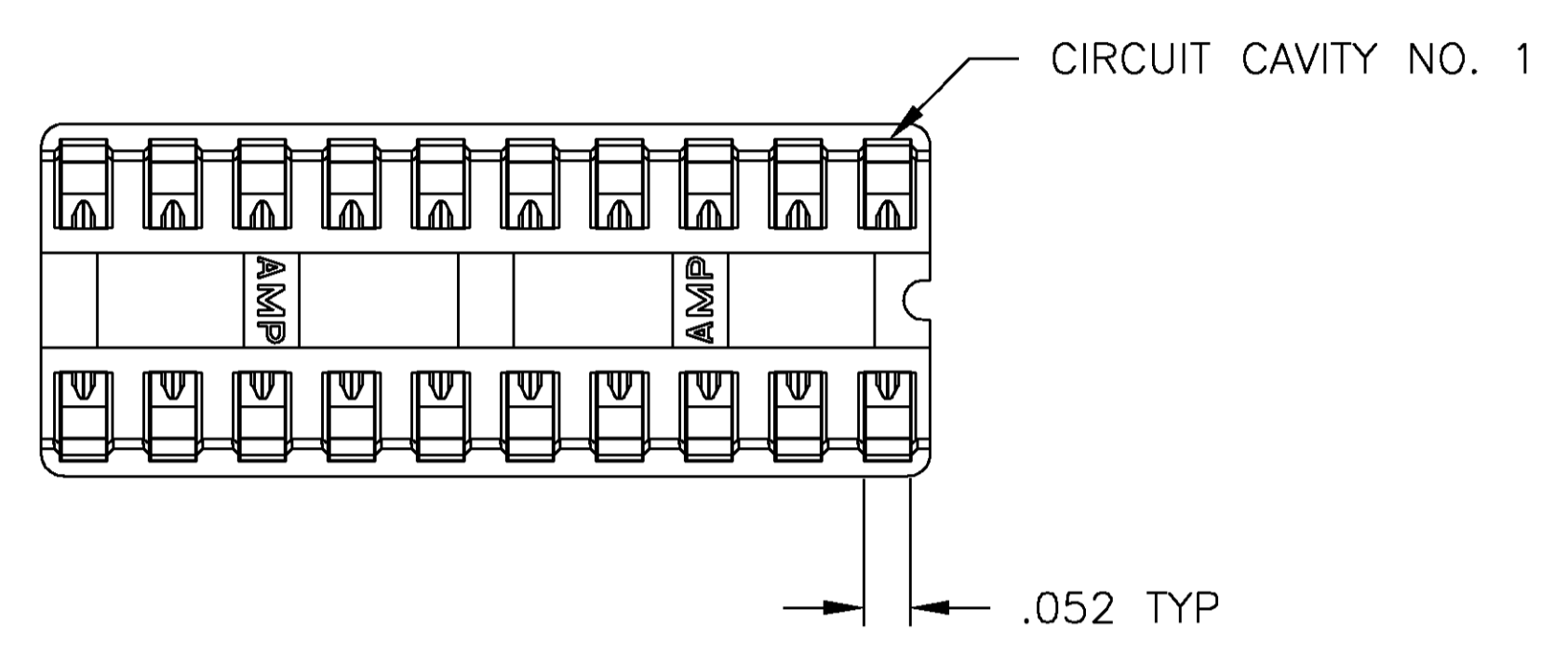
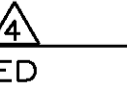
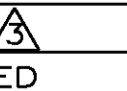


- RECEPTACLE ACCEPTS A .008-.014 THICK I.C. LEAD.
- TUBE LOADED.
-  TWO .000030 MIN THK. GOLD STRIPES IN CONTACT AREA WITH TIN-LEAD (93/7) ON CONTACT LEGS, BALANCE OF CONTACT NICKEL PLATED.
-  TWO .000015 MIN THK. GOLD STRIPES IN CONTACT AREA WITH TIN-LEAD (93/7) ON CONTACT LEGS, BALANCE OF CONTACT NICKEL PLATED.



OBSOLETE	TINNED	PHOS.BRZ. .006 THK	GLASS-FILLED THERMOPLASTIC, 94V-O, BLACK	2-641612-5
		PHOS.BRZ. .006 THK	GLASS-FILLED THERMOPLASTIC, 94V-O, BLACK	2-641612-4
OBSOLETE	TINNED	PHOS.BRZ. .006 THK	GLASS-FILLED THERMOPLASTIC, 94V-O, BLACK	2-641612-3
		BE.CU. .006 THK	GLASS-FILLED THERMOPLASTIC, 94V-O, BLACK	2-641612-2
	TINNED	BE.CU. .006 THK	GLASS-FILLED THERMOPLASTIC, 94V-O, BLACK	2-641612-1
	CONTACT FINISH	CONTACT MAT'L	HOUSING MATERIAL	PART NO.

THIS DRAWING IS A CONTROLLED DOCUMENT.

DIMENSIONS: INCHES	TOLERANCES UNLESS OTHERWISE SPECIFIED:	APVD H WYNKOOP	NAME
0 PLC ± -	1 PLC ± -	17NOV00	SOCKET ASSY, DIP, LADDER, RET LEG, 20 POS, DIPLOMATE™ DL
2 PLC ± -	3 PLC ± .005	108-1066	APPLICATION SPEC
4 PLC ± -	ANGLES ± α-30°	114-1049	SIZE CODE DRAWING NO
MATERIAL SEE TABLE	FINISH SEE TABLE	WEIGHT -	A1 00779 ©=641612
		CUSTOMER DRAWING	SCALE: 5:1 SHEET 1 OF 1 REV V

AMP Tyco Electronics Corporation  
Harrisburg, PA 17105

RESTRICTED TO