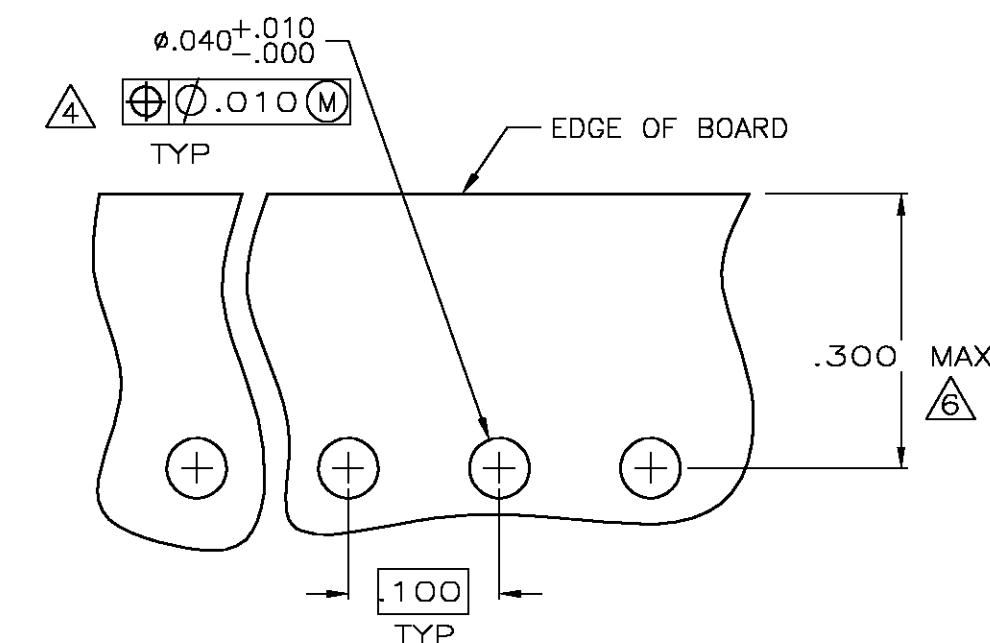
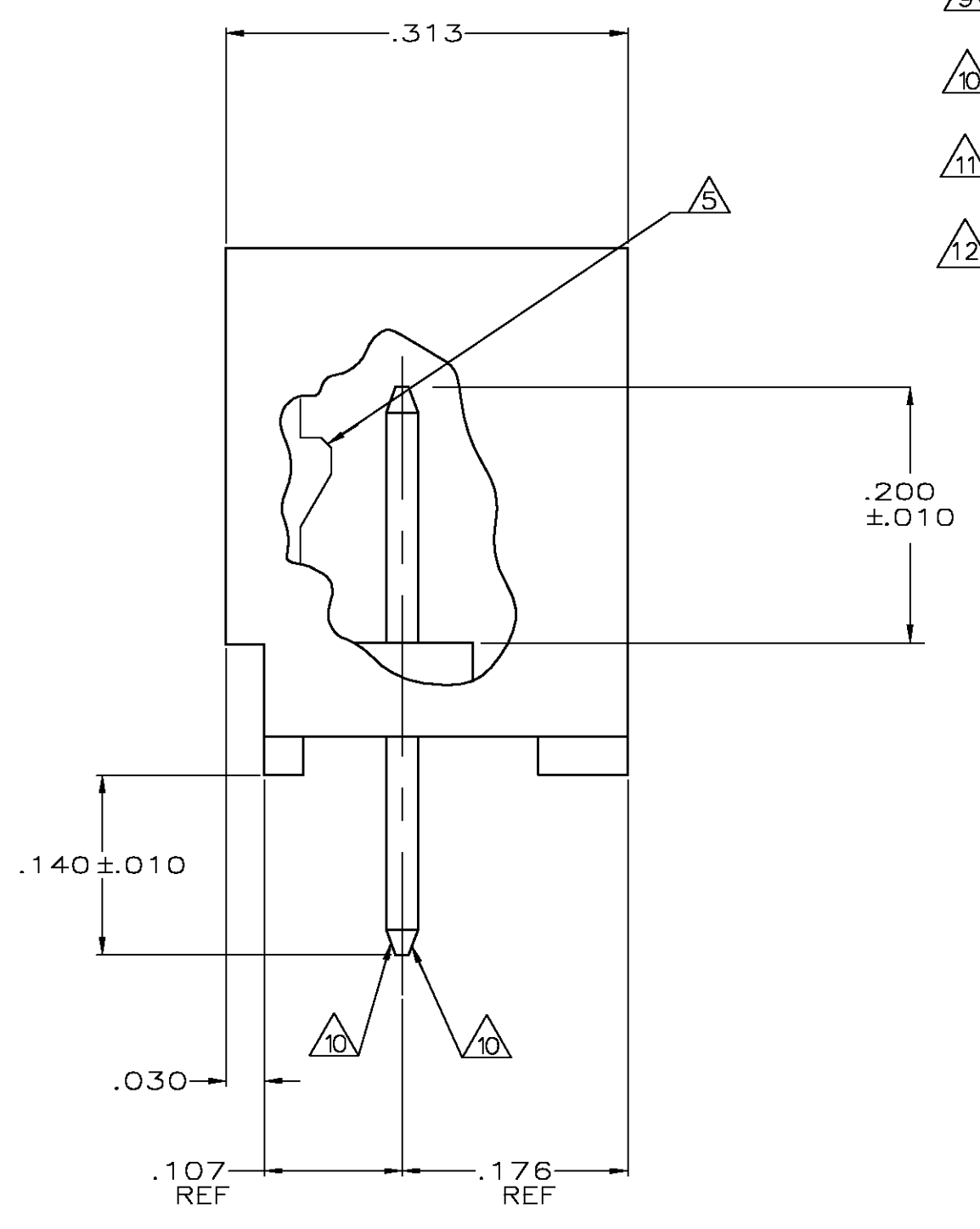
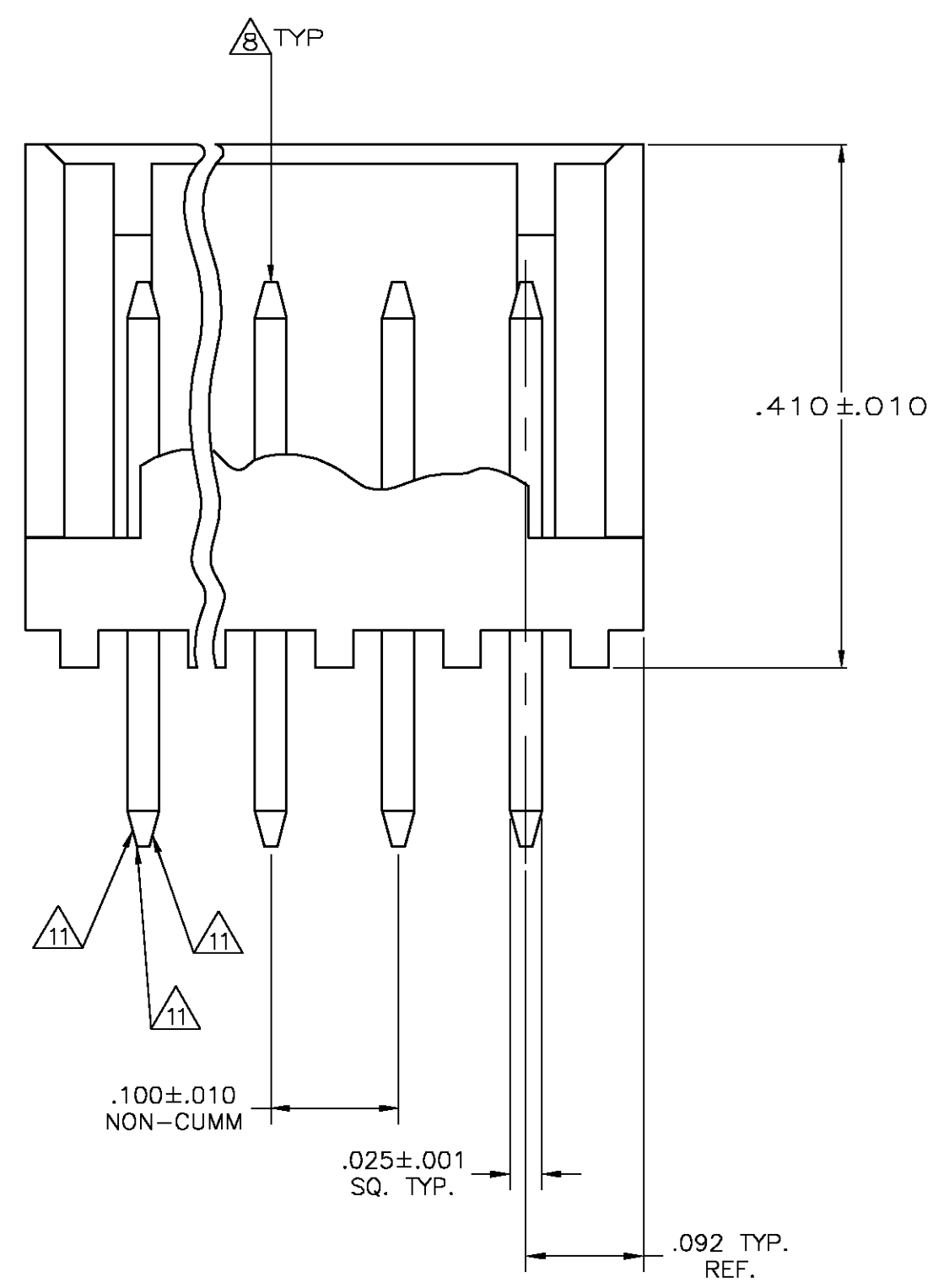


POSSIBLE MARKING CONFIGURATIONS SCALE 5:1



RECOMMENDED MOUNTING HOLE PATTERN FOR .063 THK PRINTED CIRCUIT BOARD

- 1 MATERIAL: HEADER- POLYESTER UL94V-0 (BLACK)  
POST- PH BRZ.
- 2 SOLDER SIDE OF P.C. BOARD SHOWN.
- 3 PARTS COMPLY WITH AMP SOLDERABILITY SPEC 109-11-2.
- 4 ONE HOLE MAY BE UNDERSIZED (.032-.035 DIA) FOR ASSEMBLY RETENTION DURING WAVE SOLDERING.
- 5 LATCH DETENT FEATURE OCCURS 2 PLACES ON EACH END (MAXIMUM OF FOUR PER PART). FOR 2 THRU 5 CIRCUIT HEADERS, LATCH FEATURE OCCURS BETWEEN EACH CIRCUIT.
- 6 COORDINATE DIMENSION APPLIES FROM CENTER OF ACTUAL FEATURE.
- 7 POST: 100% MATTE TIN PLATED.
- 8 POST MUST WITHSTAND 3.0 LBS (13 NEWTONS) MIN FORCE WITHOUT DISLODGING, EITHER DIRECTION.
- 9 UL AND CSA LOGO WILL APPEAR IN THIS AREA. AMP LOGO MAY APPEAR IN THIS AREA OR ON BOTTOM OF PART.
- 10 TWO SIDES OF TAPER, AS SHOWN, MUST BE PLATED. TYPICAL, BOTH ENDS.
- 11 TWO SIDES OF TAPER, AS SHOWN, AND TIP MAY BE UNPLATED. TYPICAL, BOTH ENDS.
- 12 POST: MATTE TIN-LEAD (93/7) PLATED.

YES	7	1.484	37.69	14	3-644861-4		
		1.384	35.15	13	3-644861-3		
NO	12	1.284	32.61	12	3-644861-2		
		1.184	30.07	11	3-644861-1		
		1.084	27.53	10	3-644861-0		
		.984	24.99	9	2-644861-9		
		.884	22.45	8	2-644861-8		
		.784	19.91	7	2-644861-7		
		.684	17.37	6	2-644861-6		
		.584	14.83	5	2-644861-5		
		.484	12.29	4	2-644861-4		
		.384	9.75	3	2-644861-3		
		.284	7.21	2	2-644861-2		
		LEADFREE	FINISH	1.484	37.69	14	1-644861-4
				1.384	35.15	13	1-644861-3
				1.284	32.61	12	1-644861-2
1.184	30.07			11	1-644861-1		
1.084	27.53			10	1-644861-0		
.984	24.99			9	644861-9		
.884	22.45			8	644861-8		
.784	19.91			7	644861-7		
.684	17.37			6	644861-6		
.584	14.83			5	644861-5		
.484	12.29			4	644861-4		
.384	9.75			3	644861-3		
.284	7.21			2	644861-2		
				IN	MM	NO OF POSITIONS	PART NUMBER
		L		HEADER ASSEMBLY			

THIS DRAWING IS A CONTROLLED DOCUMENT.

DIMENSIONS:	TOLERANCES UNLESS OTHERWISE SPECIFIED:	DNW S. CARPENTER 28MAY2003	28MAY2003	Tyco Electronics Corporation Harrisburg, PA 17105
INCHES		CDR D. BOSSI 28MAY2003		
		APP'D D. BOSSI 28MAY2003		
		PRODUCT SPEC		
		APPLICATION SPEC		
MATERIAL	FINISH	WEIGHT	SIZE	CAGE CODE
	SEE TABLE		A1	00779
			DRAWING NO	644861
			RESTRICTED TO	
		CUSTOMER DRAWING	SCALE	10:1
			SHEET	1 OF 1
			REV	J