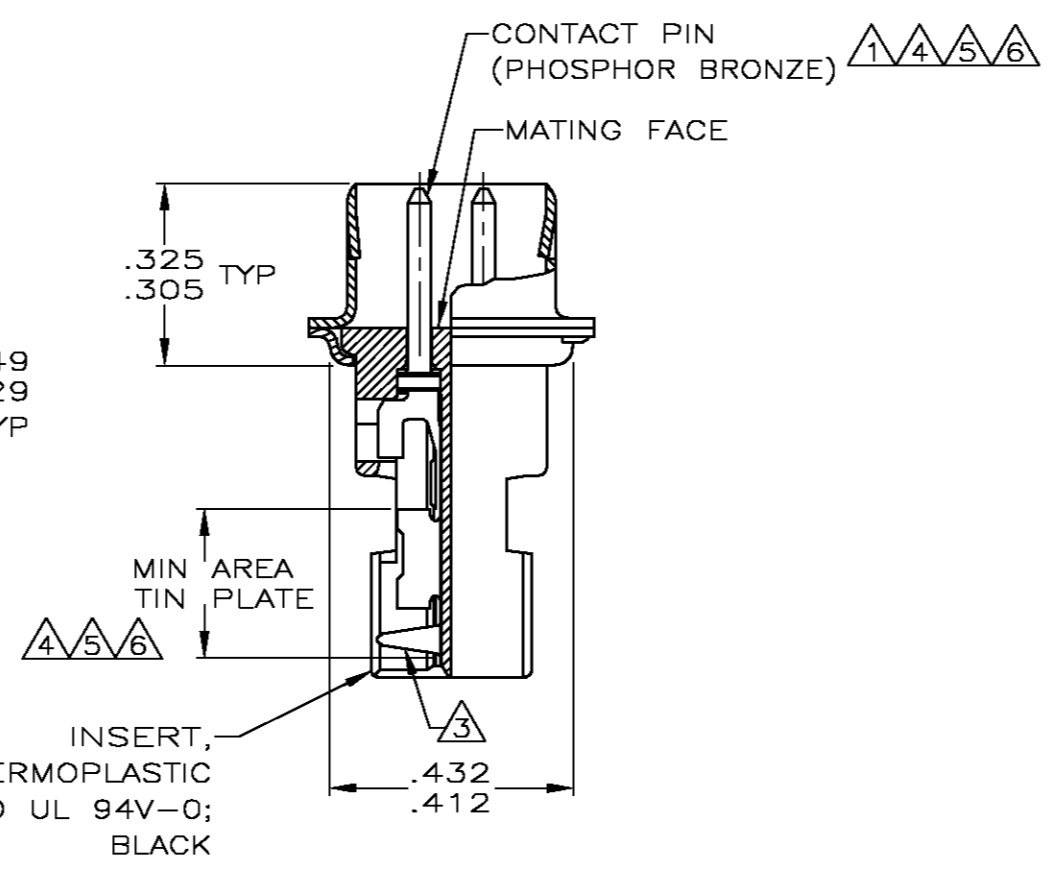
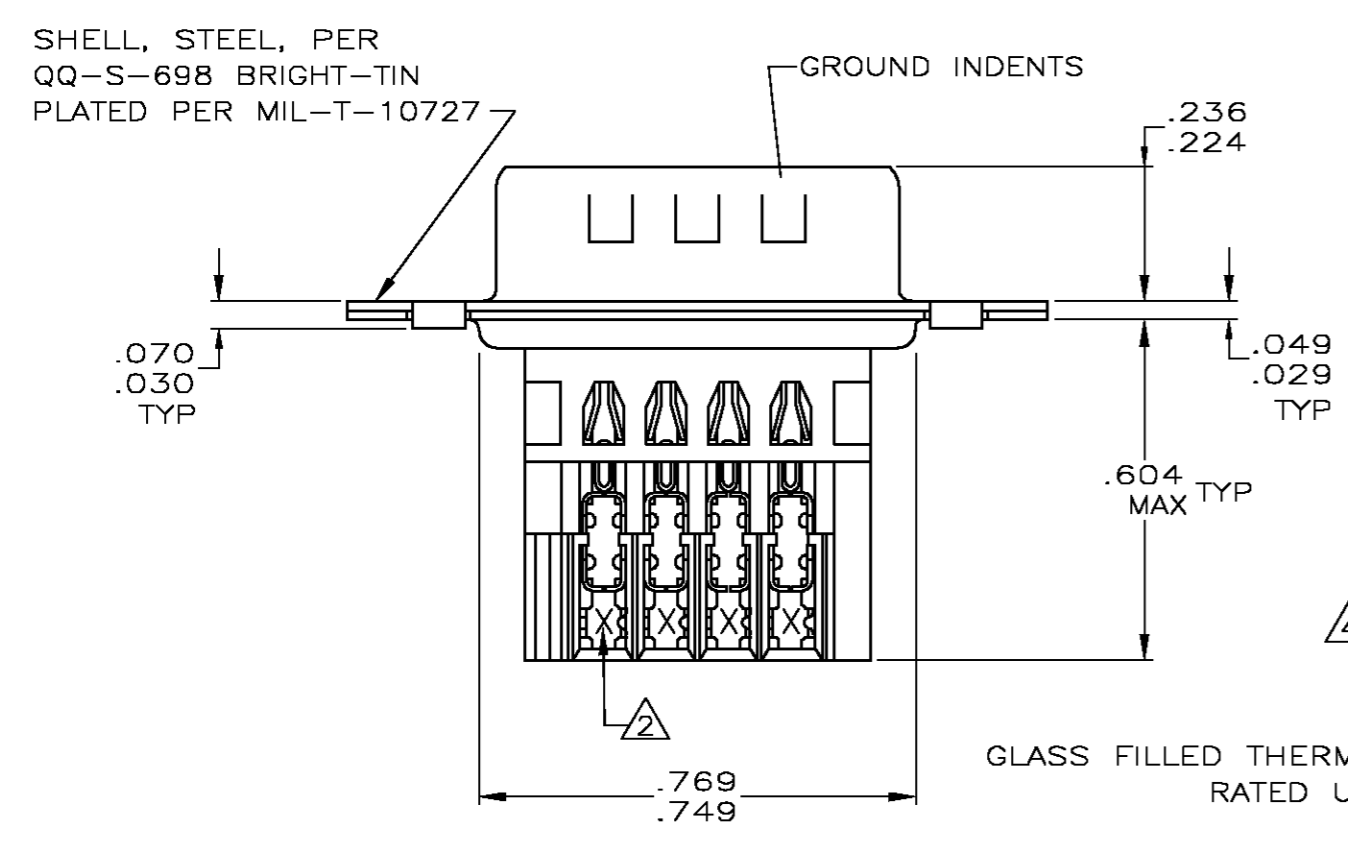
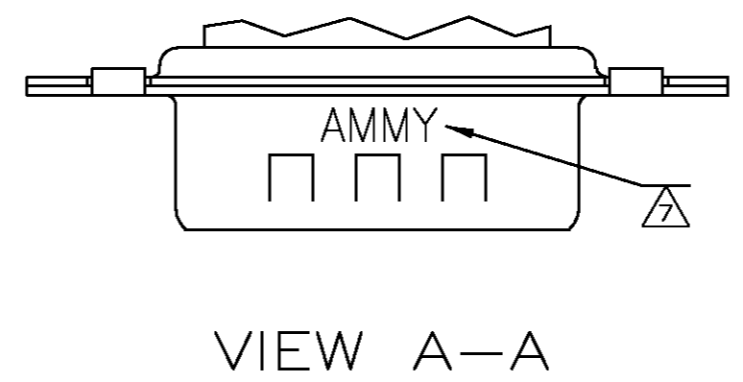
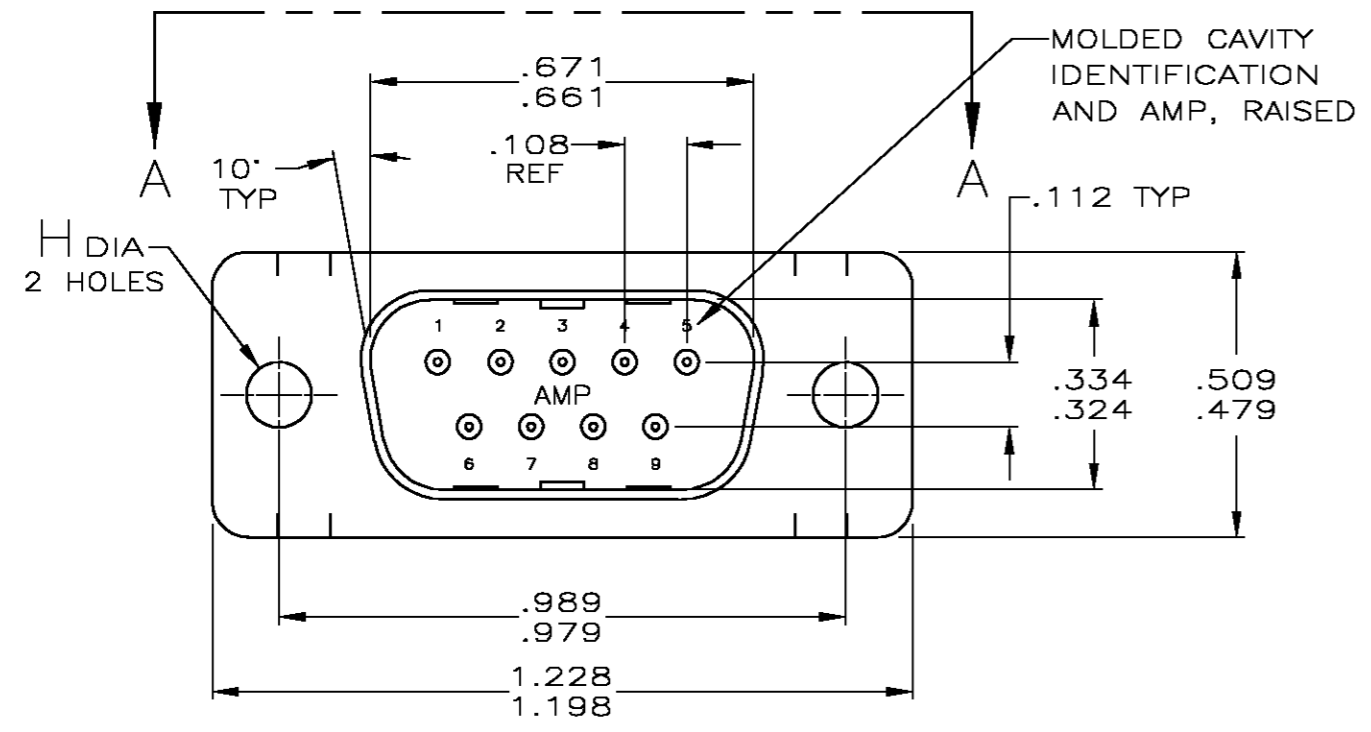


THIS DRAWING IS UNPUBLISHED. RELEASED FOR PUBLICATION
 © COPYRIGHT BY TYCO ELECTRONICS CORPORATION. ALL RIGHTS RESERVED.

LOC	DIST	REVISIONS					
GP	00	P	LTR	DESCRIPTION	DATE	DWN	APVD
		N		REVISED PER EC 0S13-0257-04	11-16-04	LV	JG



- ① HOUSING FULLY LOADED WITH CONTACTS.
- ② NUMBER ON CONTACT INDICATES WIRE RANGE.
- ③ CONTACT INSULATION RANGE: .060 MAXIMUM O.D.
- ④ GOLD PLATED FOR LENGTH OF .150 MIN FROM MATING END, .000030 MIN GOLD IN MATED AREA. .000100-.000200 BRIGHT TIN OR BRIGHT IN TIN-LEAD AREA SHOWN. .000050 NICKEL UNDERPLATE ON ENTIRE CONTACT.
- ⑤ GOLD PLATED FOR LENGTH OF .150 MIN FROM MATING END, GOLD FLASH IN MATED AREA. .000100-.000200 BRIGHT TIN OR BRIGHT IN TIN-LEAD AREA SHOWN. .000030 NICKEL UNDERPLATE ON ENTIRE CONTACT.
- ⑥ GOLD PLATED FOR LENGTH OF .150 MIN FROM MATING END, .000050 MIN GOLD IN MATED AREA. .000100-.000200 BRIGHT TIN OR BRIGHT IN TIN-LEAD AREA SHOWN. .000050 NICKEL UNDERPLATE ON ENTIRE CONTACT.
- ⑦ SPECIAL DATE CODE IN THIS APPROXIMATE AREA. A; MM = MONTH; Y = LAST DIGIT OF YEAR.
- ⑧ OBSOLETE.
- ⑨ SUPERSEDED BY 745492-1
- ⑩ GOLD PLATED FOR LENGTH OF .150 MIN FROM MATING END, .000030 MIN GOLD IN MATED AREA. .000100-.000200 MATTE TIN IN AREA SHOWN. .000050 NICKEL UNDERPLATE ON ENTIRE CONTACT.
- ⑪ GOLD PLATED FOR LENGTH OF .150 MIN FROM MATING END, GOLD FLASH IN MATED AREA, .000100-.000200 MATTE TIN IN TIN AREA SHOWN. .000030 MIN NICKEL UNDERPLATE ON ENTIRE CONTACT.

STANDARD	.125 .115	⑪	2	#22-26	2-745492-0
STANDARD	.125 .115	⑩	3	#20-22	1-745492-9
STANDARD	.125 .115	⑩	2	#22-26	1-745492-8
STANDARD	.125 .115	⑩	1	#26-30	1-745492-7
SMALL PACK	.125 .115	⑤	2	#22-26	⑧ 1-745492-5
STANDARD	.125 .115	⑥	2	#22-26	1-745492-3
STANDARD	.156 .146	⑤	3	#20-22	⑧ 1-745492-2
			2	#22-26	⑧ 1-745492-1
			1	#26-30	⑧ 1-745492-0
STANDARD	.156 .146	④	3	#20-22	⑧ 745492-9
			2	#22-26	⑧ 745492-8
			1	#26-30	⑧ 745492-7
STANDARD	.125 .115	⑤	3	#20-22	⑧ 745492-6
			2	#22-26	745492-5
			1	#26-30	⑨ 745492-4
STANDARD	.125 .115	④	3	#20-22	745492-3
			2	#22-26	745492-2
			1	#26-30	745492-1
PACKAGING	H	CONTACT FINISH	②	AWG WIRE RANGE	PART NUMBER

THIS DRAWING IS A CONTROLLED DOCUMENT.

DIMENSIONS: INCHES	TOLERANCES UNLESS OTHERWISE SPECIFIED:	DWN L. VAREAL - DOCKS 11-16-04	CHK J. GERACE 11-16-04	APVD M. WALMSLEY 11-16-04	NAME
	0 PLC ± - 1 PLC ± - 2 PLC ± - 3 PLC ± .005 4 PLC ± - ± 2	Tyco Electronics Corporation Harrisburg, PA 17105-3608			PLUG ASSEMBLY, METAL SHELL, SIZE 1, 9 POSITION, SERIES HDE-20 FOR MASS TERMINATION
MATERIAL SEE CALL OUT	FINISH SEE TABLE	108-40011	114-40002	SIZE A2	CAGE CODE 00779
		CUSTOMER DRAWING		SCALE 4:1	SHEET 1 OF 1