



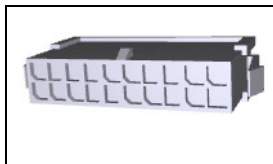
**Have a Question?**  
 Chat with a Product Information Specialist

What can we help you find?

[Products](#) | 
 [Industries](#) | 
 [Resources](#) | 
 [About TE](#) | 
 [My Account](#) | 
 [Innovation](#) | 
 [Support Center](#)

## 2-794615-0 Product Details

[Share](#) | 
 [Print](#) | 
 [Email](#)



**2-794615-0**

TE Internal Number: 2-794615-0

Active

View 3D PDF

### 3mm Centerline, 250V, 5 A max.

Always EU RoHS/ELV Compliant (Statement of Compliance)

**Product Highlights:**

- Wire-to-Wire, Wire-to-Panel
- Applies To Panel, Applies To Wire/Cable
- Connector
- Housing
- Connector Style = Plug

[View all Features](#)

### Quick Links

- ▶ [Pricing & Availability](#)
- ▶ [Search for Tooling](#)
- ▶ [View Mating Products \(1\)](#)
- ▶ [Product Feature Selector](#)
- ▶ [Contact Us About This Product](#)

[Add to My Part List](#) | 
 [Request Sample](#) | 
 [Find Similar Products](#) | 
 [Buy Product](#)

### Documentation & Additional Information

<p><b>Product Drawings:</b></p> <ul style="list-style-type: none"> <li>• <a href="#">PLUG HOUSING, 2 to 24 POSITION DUAL ROW, PANEL MOUN...</a> (PDF, English)</li> </ul> <p><b>Catalog Pages/Data Sheets:</b></p> <ul style="list-style-type: none"> <li>• <a href="#">1773458-4_MICRO_MATE_N_LOK_CONNECTOR_SYSTEM_QRG</a> (PDF, English)</li> <li>• <a href="#">SOFT_SHELL_PIN_AND_SOCKET_CONNECTORS_CATALOG</a> (PDF, English)</li> </ul> <p><b>Product Specifications:</b></p> <ul style="list-style-type: none"> <li>• None Available</li> </ul> <p><b>Application Specifications:</b></p> <ul style="list-style-type: none"> <li>• None Available</li> </ul> <p><b>Instruction Sheets:</b></p> <ul style="list-style-type: none"> <li>• None Available</li> </ul> <p><b>CAD Files:</b> (CAD Format &amp; Compression Information)</p> <ul style="list-style-type: none"> <li>• <a href="#">2D Drawing</a> (DXF, Version 0)</li> <li>• <a href="#">3D Model</a> (IGES, Version 0)</li> <li>• <a href="#">3D Model</a> (STEP, Version 0)</li> </ul>	<p><b>Additional Information:</b></p> <ul style="list-style-type: none"> <li>• <a href="#">Product Line Information</a></li> </ul> <p><b>Related Products:</b></p> <ul style="list-style-type: none"> <li>• <a href="#">Tooling</a></li> <li>• <a href="#">Mating Products (1)</a></li> </ul>
---	---

[List all Documents](#)

### Product Features (Please use the Product Drawing for all design activity)

<p><b>Product Type Features:</b></p> <ul style="list-style-type: none"> <li>• Product Type = Connector</li> <li>• Connector Type = Housing</li> <li>• UL File Number = E28476</li> <li>• CSA File Number = LR 7189</li> </ul> <p><b>Mechanical Attachment:</b></p> <ul style="list-style-type: none"> <li>• Panel Mount Retention = With</li> <li>• Mating Retention Type = Locking Tab</li> <li>• Panel Mount Retention Type = Locking Latch</li> </ul> <p><b>Electrical Characteristics:</b></p> <ul style="list-style-type: none"> <li>• Operating Voltage Reference = AC/DC</li> <li>• Operating Voltage (VAC) = 250</li> <li>• Operating Voltage (VDC) = 250</li> </ul> <p><b>Dimensions:</b></p> <ul style="list-style-type: none"> <li>• Panel Thickness (mm [in]) = 1.57 - 2.30 [0.062 - 0.091]</li> </ul> <p><b>Body Features:</b></p> <ul style="list-style-type: none"> <li>• Row-to-Row Spacing (mm [in]) = 3.00 [0.118]</li> <li>• Mating Retention = With</li> </ul> <p><b>Contact Features:</b></p> <ul style="list-style-type: none"> <li>• Contact Type = Pin</li> <li>• Contact Layout = Double Row</li> </ul>	<p><b>Configuration Features:</b></p> <ul style="list-style-type: none"> <li>• Number of Positions = 20</li> <li>• Number of Rows = 2</li> <li>• Strain Relief = Without</li> </ul> <p><b>Industry Standards:</b></p> <ul style="list-style-type: none"> <li>• <a href="#">RoHS/ELV Compliance</a> = RoHS compliant, ELV compliant</li> <li>• <a href="#">Lead Free Solder Processes</a> = Not relevant for lead free process</li> <li>• RoHS/ELV Compliance History = Always was RoHS compliant</li> <li>• VDE Tested = Yes</li> <li>• Agency/Standard = UL, CSA</li> <li>• UL Rating = Recognized</li> <li>• CSA Rating = Certified</li> </ul> <p><b>Environmental:</b></p> <ul style="list-style-type: none"> <li>• Operating Temperature (°C [°F]) = -40 - +105 [-40 - +221]</li> </ul> <p><b>Conditions for Usage:</b></p> <ul style="list-style-type: none"> <li>• Applies To = Panel, Wire/Cable</li> </ul> <p><b>Operation/Application:</b></p> <ul style="list-style-type: none"> <li>• Application Use = Wire-to-Wire, Wire-to-Panel</li> </ul> <p><b>Packaging Features:</b></p> <ul style="list-style-type: none"> <li>• Packaging Method = Bag</li> <li>• Packaging Quantity = 300</li> </ul>
--	--

**Housing Features:**

- Connector Style = Plug
- Housing Color = Black
- Housing Material = Nylon 66/6
- Centerline (mm [in]) = 3.00 [0.118]
- Mating Alignment = With
- Mating Alignment Type = Polarization
- UL Flammability Rating = UL 94V-0

**Other:**

- Brand = AMP

**Corporate Information**

- [About TE](#)
- [Investors](#)
- [News Room](#)
- [Supplier Portal](#)
- [Careers](#)
- [Terms & Conditions](#)
- [Privacy Policy](#)

**Quick Links**

- [Distributor Inventory](#)
- [Product Cross Reference](#)
- [Documents & Drawings](#)
- [Product Compliance Support Center](#)
- [Site Map](#)

**Customer Support**

- [Email or Chat With Us](#)
- [Find a Phone Number](#)
- [Knowledge Base](#)
- [Manage Your Account](#)

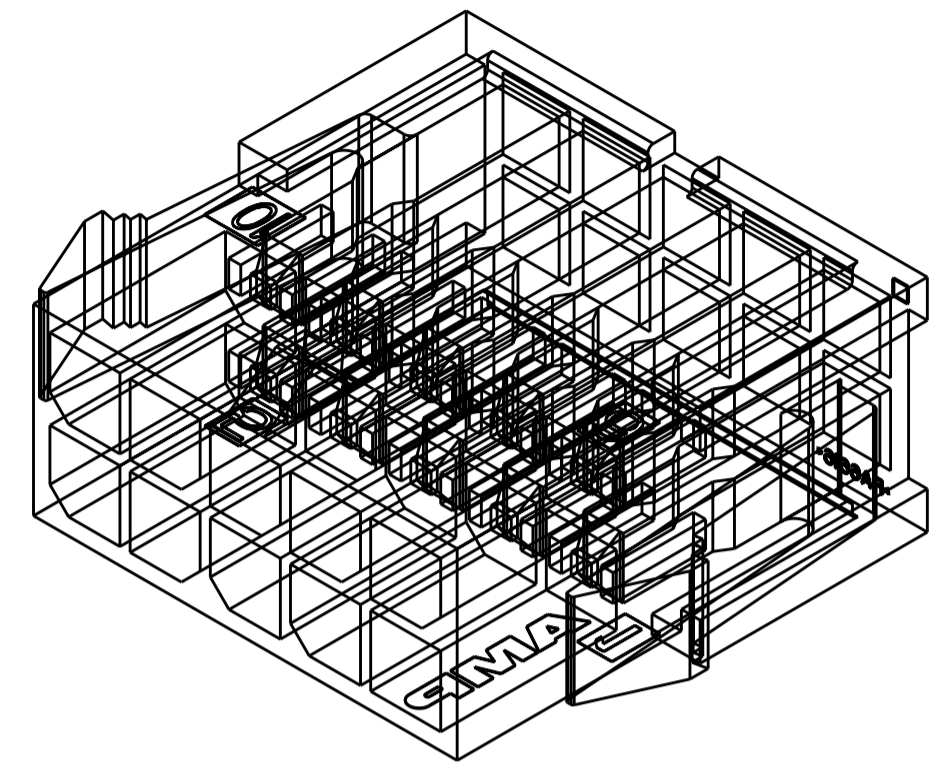
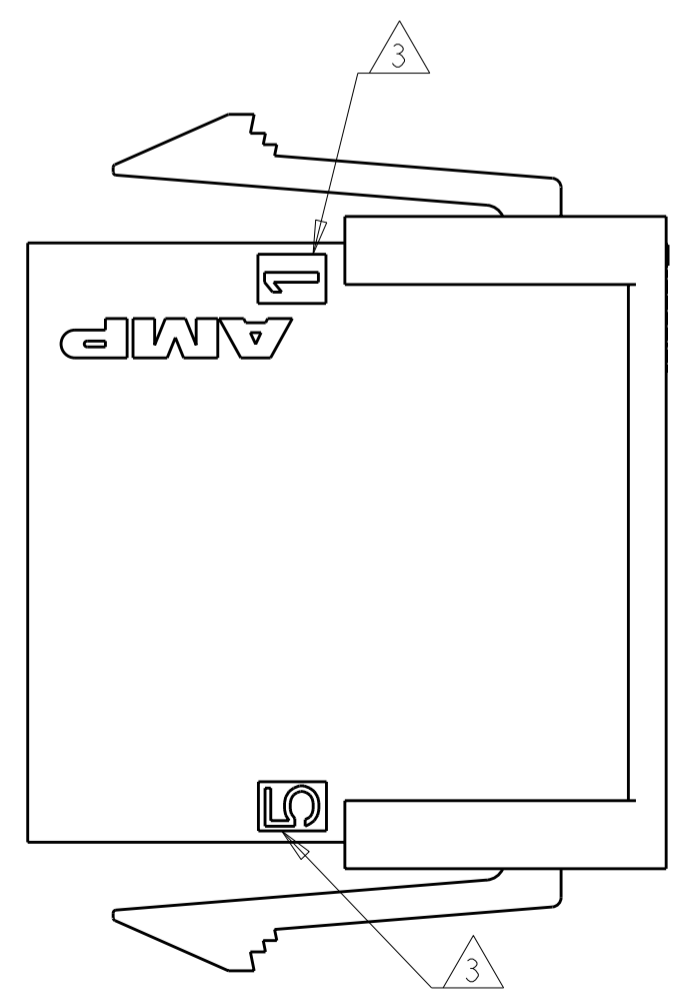
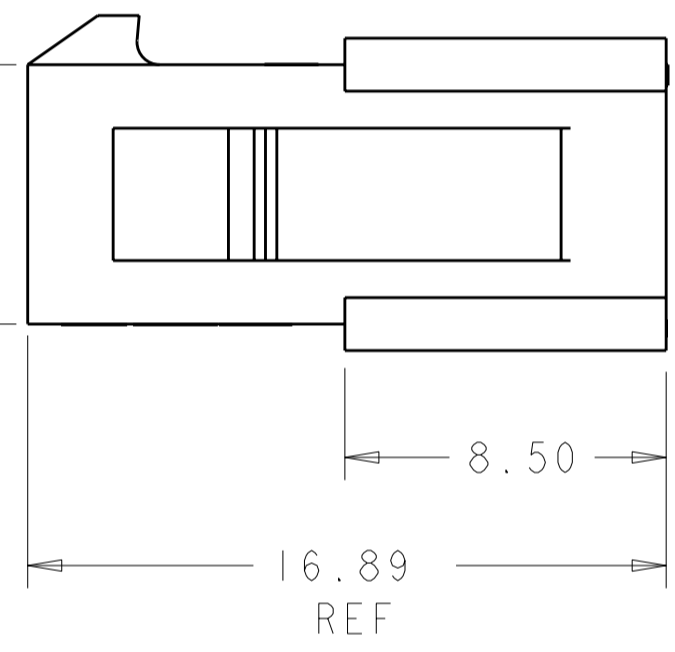
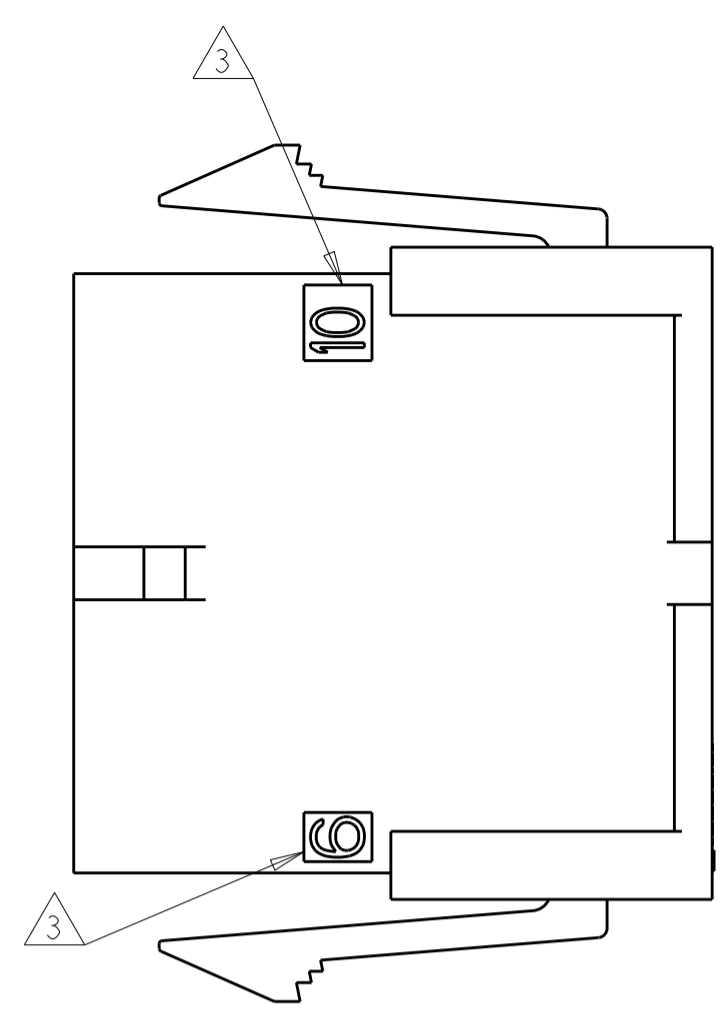
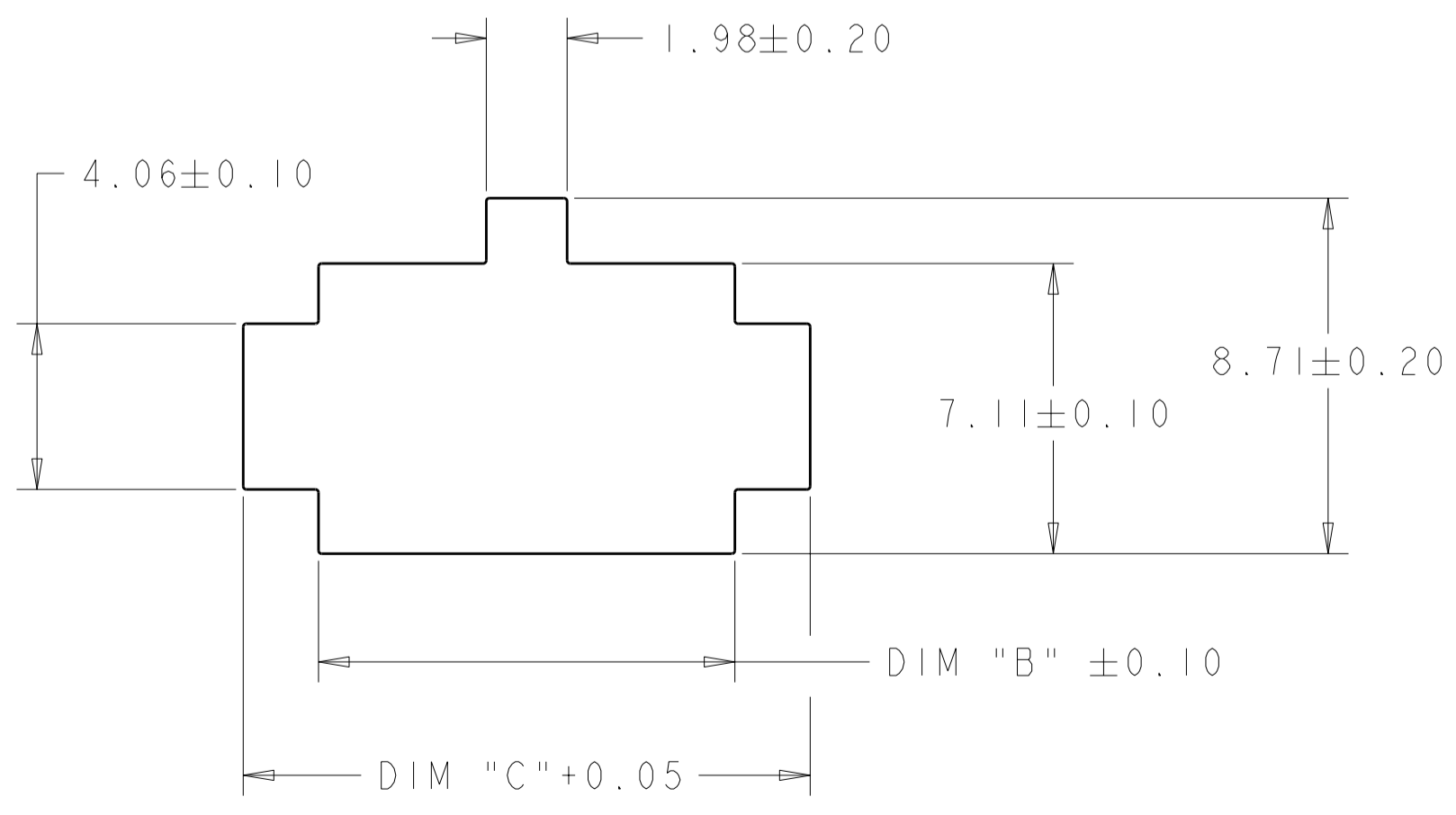
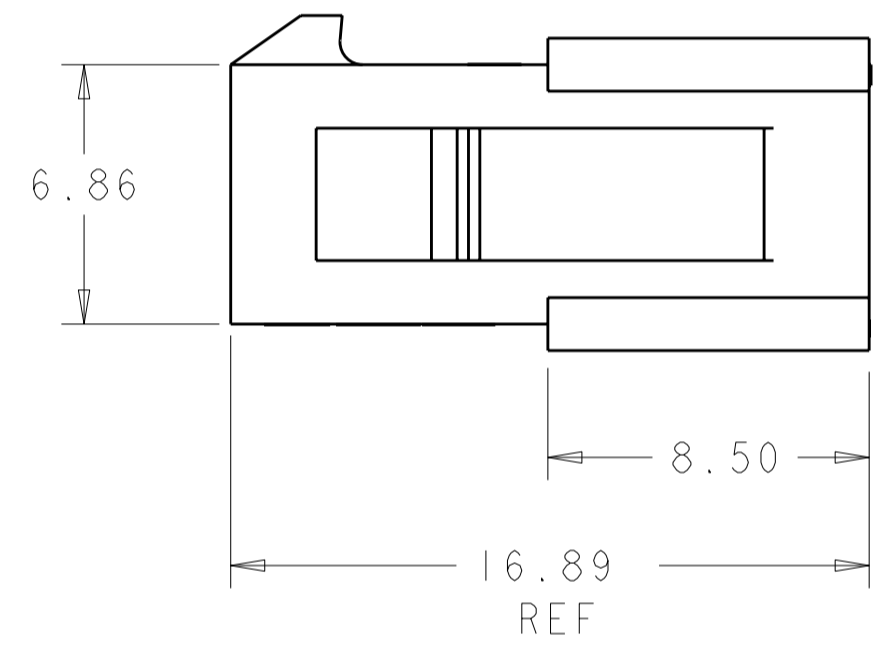
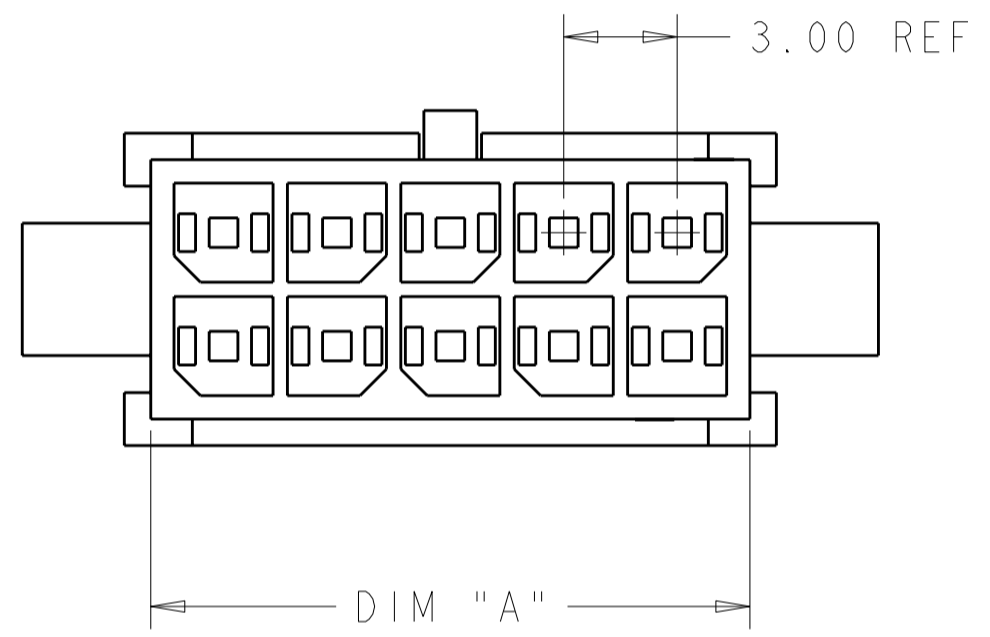
**Keep Me Informed**



THIS DRAWING IS UNPUBLISHED. RELEASED FOR PUBLICATION 20  
 © COPYRIGHT 20 BY - ALL RIGHTS RESERVED.

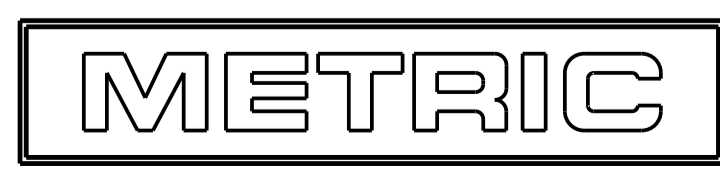
LOC	DIST	REVISIONS					
CM	00	P	LTR	DESCRIPTION	DATE	DWN	APVD
		P		REVISED PER ECO-11-005027	14MAR2011	RK	HMR

- 1 RECOMMENDED PANEL THICKNESS 1.57-2.3.
- 2. PANEL MUST BE PUNCHED SO THAT HOUSING ENTERS THE PANEL IN THE SAME DIRECTION AS THE PUNCH.
- 3 CIRCUIT IDENTIFIERS LOCATED APPROXIMATELY AS SHOWN.



SCALE 5:1

40.88	37.20	36.85	24	2-794615-4
37.88	34.20	33.85	22	2-794615-2
34.88	31.20	30.85	20	2-794615-0
31.88	28.20	27.85	18	1-794615-8
28.88	25.20	24.85	16	1-794615-6
25.88	22.20	21.85	14	1-794615-4
22.88	19.20	18.85	12	1-794615-2
19.88	16.20	15.85	10	1-794615-0
16.88	13.20	12.85	8	794615-8
13.88	10.20	9.85	6	794615-6
10.88	7.20	6.85	4	794615-4
7.88	4.20	3.85	2	794615-2
DIM C	DIM B	DIM A	NO. OF POS.	PART NUMBER



THIS DRAWING IS A CONTROLLED DOCUMENT.

DWN W J RUDY 29AUG2000  
 CHK W DAVIS 29AUG2000  
 APVD W DAVIS 29AUG2000

TE Connectivity

NAME: PLUG HOUSING, 2 to 24 POSITION DUAL ROW, PANEL MOUNT MICRO MATE-N-LOK(TM)

SIZE: A2 CAGE CODE: 200779 DRAWING NO: 794615 RESTRICTED TO: -

MATERIAL: NYLON, UL94V-0 BLACK

WEIGHT: -

CUSTOMER DRAWING

SCALE: 6:1 SHEET: 1 OF 1 REV: P