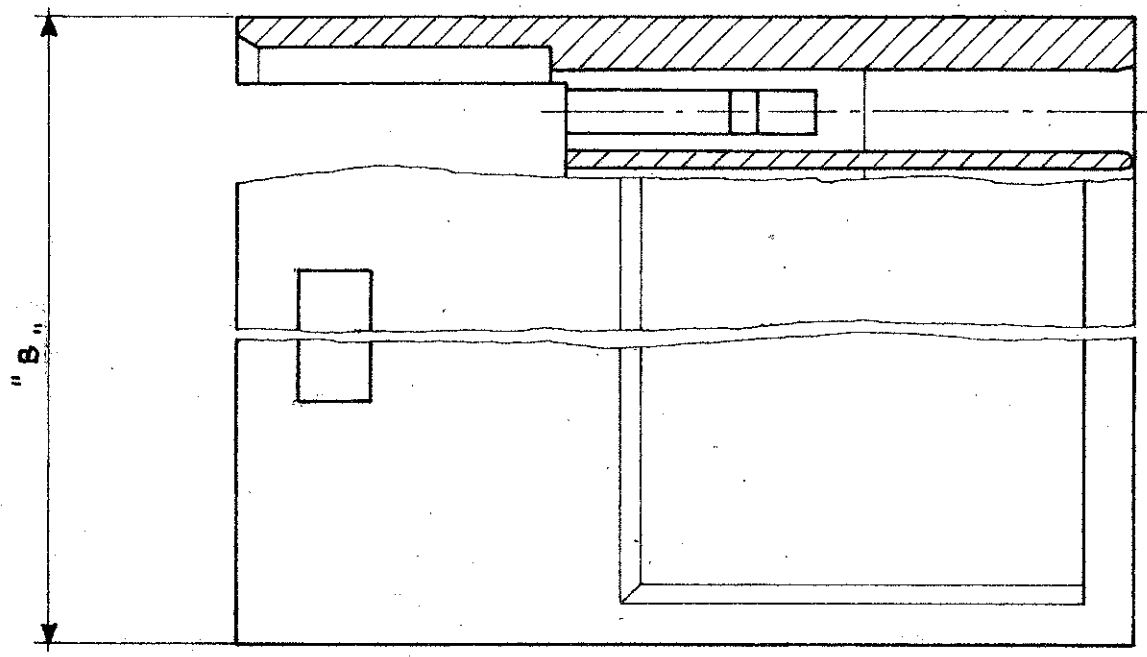
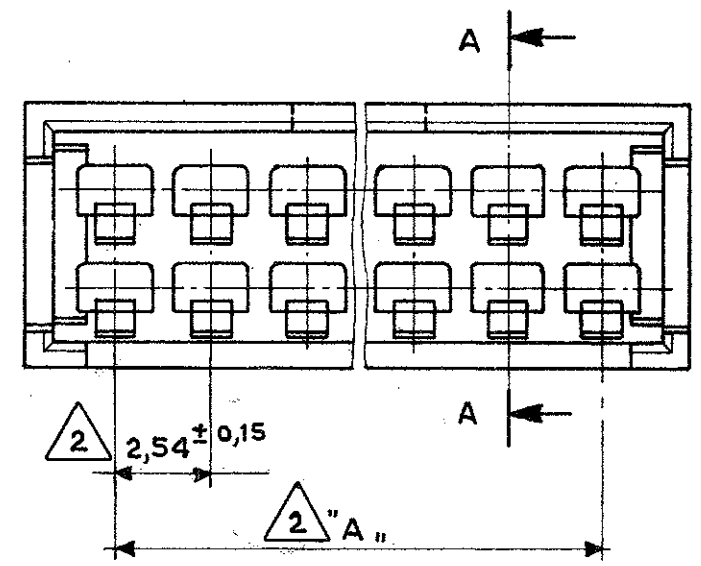
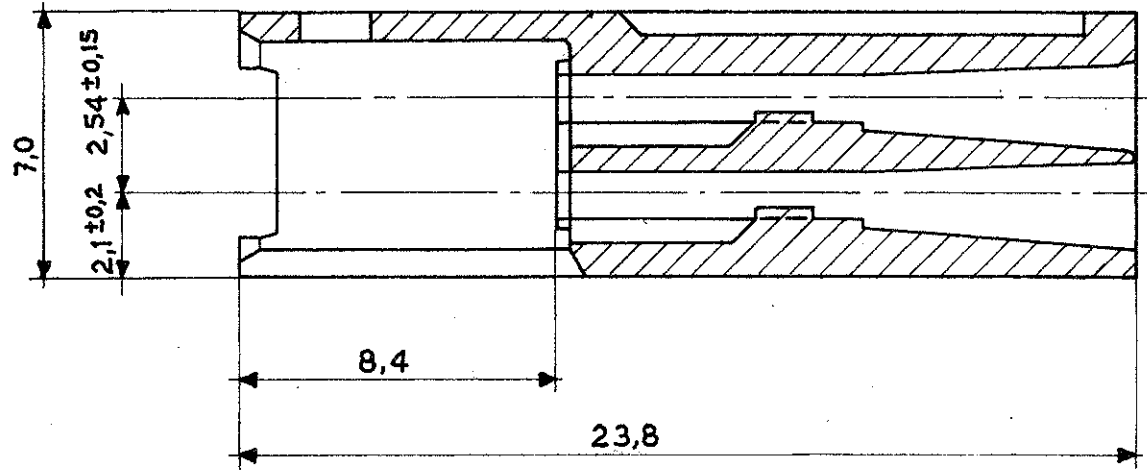


Sezione A-A
(Section)



Note: (Notes)

- 1 Noryl (UL94-V0) Colore Nero (Black colour).
- 2 Tolleranza non Cumulativa. (Non-Cumulative Tolerance).
- 3 OBSOLETO

N° Pos.	Part Number	Dim. "A"	Dim. "B"	Mat.
22	280642	53,34	58,2	3
15	280641	35,56	40,4	3
12	280640	27,94	32,8	1
9	280639	20,32	25,1	3
8	280638	17,78	22,6	
4	280637	7,62	12,5	

FINITURA / COLORE (FINISH / COLOUR)		MATERIALE (MATERIAL)		NUMERO (PART NUMBER)	
CUSTOMER DWG. FOR REFERENCE ONLY			DISEGNO PER CLIENTE SOLO PER RIFERIMENTO		
THIS DRAWING IS UNPUBLISHED			RELEASE FOR PUBLICATION		
© COPYRIGHT 1986 BY AMP INCORPORATED, HARRISBURG, PA ALL INTERNATIONAL RIGHT RESERVED AMP PRODUCTS MAY BE COVERED BY U.S. AND FOREIGN PATENT AND/OR PATENT PENDING					
TOLLERANZE: SE NON DIVERSAMENTE SPECIFICATO (TOLERANCES UNLESS OTHERWISE SPECIFIED)		DIAM. ISOLANTE (INS. DIA. RANGE)		RANGO FILO (WIRE RANGE)	
± 0,3				SCALA (SCALE) 5:1	
ANGOLI (ANGLES) ± 2°		AMP AMP ITALIA S.p.A. Corso F.lli Cervi, 15 COLLEGNO (TORINO)			
DIS. (DR) Bassano 29.9.86					
DESCRIZIONE (DESCRIPTION) AMP MODU II Pin Housing, Double Row, Crimped Snap-In.		LOC. SIZE		NUMERO (DWG NO) 280637	
REV. (REV) 1		APP. (APP) [Signature]		FOGLIO (SHEET) 1 OF 1	

REV.	REVISIONI (REVISION RECORD)	DIS. (DR)	DATA (DATE)
J	OBSOLETED P/N 280639 ETOP-0258-92 280642	F.B.	18 JUL 97
D	280641.0: OBSOLETE	[Signature]	10.7.92
C	Revised note	[Signature]	29.9.86
B	Revised and Redrawn	EB	29.9.86

DISTRIBUZIONE (PRINT DIST.)