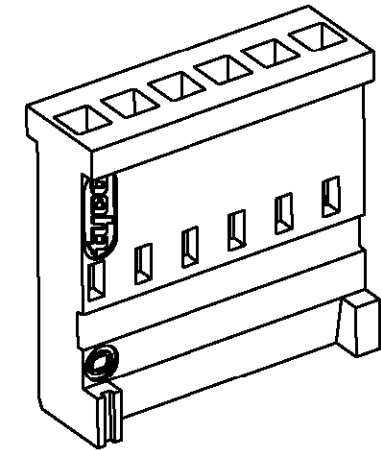
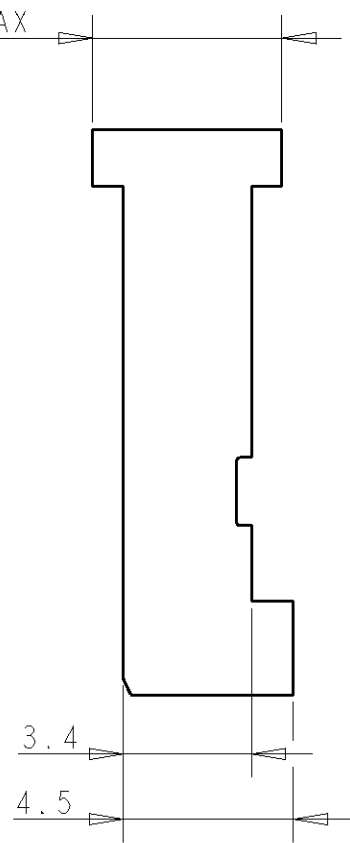
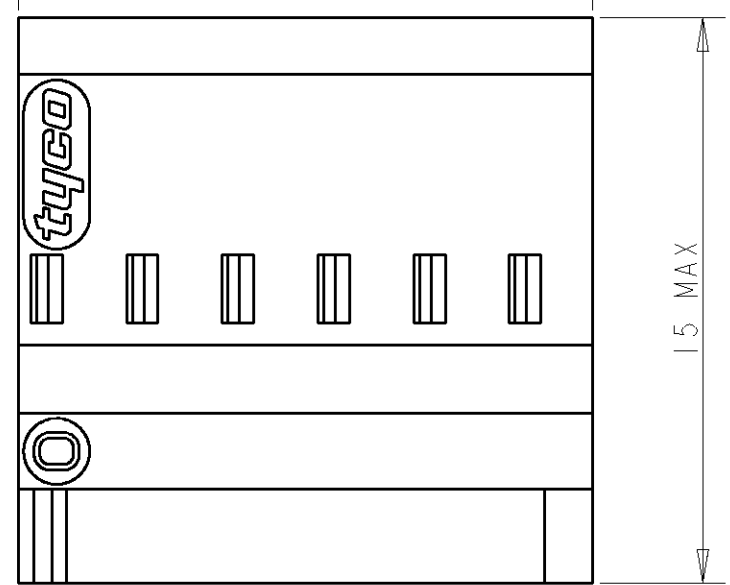
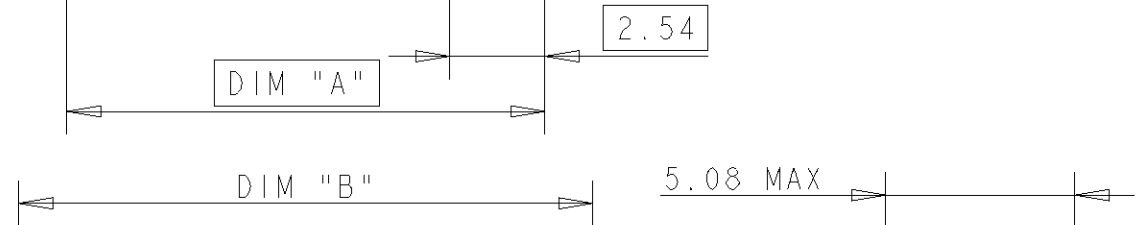
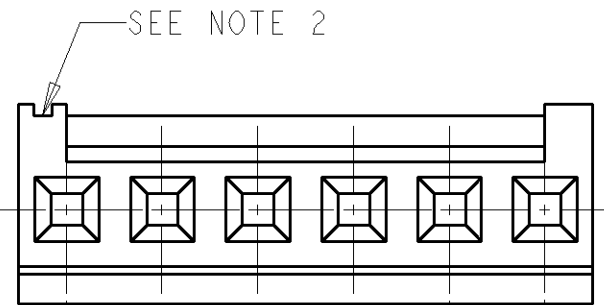


THIS DRAWING IS UNPUBLISHED.
 DIFFUSION RESTREINTE
 (C) COPYRIGHT 20 BY TYCO ELECTRONICS CORPORATION. ALL RIGHTS RESERVED.
 TOUS DROITS RESERVES

LOC	DIST	REVISIONS			
P	LTR REV	DESCRIPTION MODIFICATIONS	DATE	DWN DESS.	APVD APP.
F	00	A	EH-0394-97	16APR1997	JvL RB
		B	ER00-0218-03	18JUL2003	TC YP



SCALE 3:1

DIM "B"	DIM "A"	NR OF POS.	TYCO P/N
45.72	43.18	18	1-281838-8
38.10	35.56	15	1-281838-5
35.56	33.02	14	1-281838-4
30.48	27.94	12	1-281838-2
25.40	22.86	10	1-281838-0
22.86	20.32	9	0-281838-9
20.32	17.78	8	0-281838-8
17.78	15.24	7	0-281838-7
15.24	12.70	6	0-281838-6
12.70	10.16	5	0-281838-5
10.16	7.62	4	0-281838-4
7.62	5.08	3	0-281838-3

NOTES:

- MATERIAL DESCRIPTION: GLASS FILLED PBT, UL 94-V0, COLOR BLUE
- IDENTIFICATION OF CONTACT CAVITY NR 1
- PRODUCT ACCORDING TO IEC 603-8
- ACCEPTS CRIMP CONTACTS 188746-1 OR 188744-1

<small>THIS DRAWING IS A CONTROLLED DOCUMENT FOR TYCO ELECTRONICS CORPORATION. IT IS SUBJECT TO CHANGE AND THE CONTROLLING ENGINEERING ORGANIZATION SHOULD BE CONTACTED FOR THE LATEST REVISION. CE PLAN EST UN DOCUMENT CONTROLE PAR TYCO ELECTRONICS. IL EST SUSCEPTIBLE D'ETRE REVISE. CONTACTER LE SERVICE TECHNIQUE DE TYCO ELECTRONICS POUR OBTENIR LA DERNIERE REVISION.</small>		DWN/DESSINE 18JUL2003 T. CORRIOU CHK/VERIFIE 18JUL2003 Y. PETRONIN APVD/APPROUVE 18JUL2003 M. FURIO		tyco Electronics TYCO ELECTRONICS France SAS BP 39, 95301 CERGY-PONTOISE Cedex	
DIMENSIONS: mm 		TOLERANCES UNLESS OTHERWISE SPECIFIED: TOLERANCES NON SPECIFIEES (SUIV NB DE DECIMALES): 0 PLC/DEC: ±0.2 1 PLC/DEC: ±0.2 2 PLC/DEC: ±0.2 3 PLC/DEC: ± 4 PLC/DEC: ± ANGLES ±1°		NAME TITRE SINGLE ROW HOUSING FOR HE 13-14 COSI CONTACT	
MATERIAL /MATIERE		FINISH /FINITION		PRODUCT SPEC SPEC. PRODUIT APPLICATION SPEC SPEC. APPLICATION WEIGHT MASSE APPROX. -	
		SIZE FORMAT A3		CAGE CODE 00779	
		DRAWING NO No PLAN C-281838		RESTRICTED TO RESERVE A -	
		CUSTOMER DRAWING /PLAN CLIENT		UNIQUEMENT POUR REFERENCE SCALE ECHELLE 5:1 SHEET FEUILLE 1 OF DE 1 REV B	