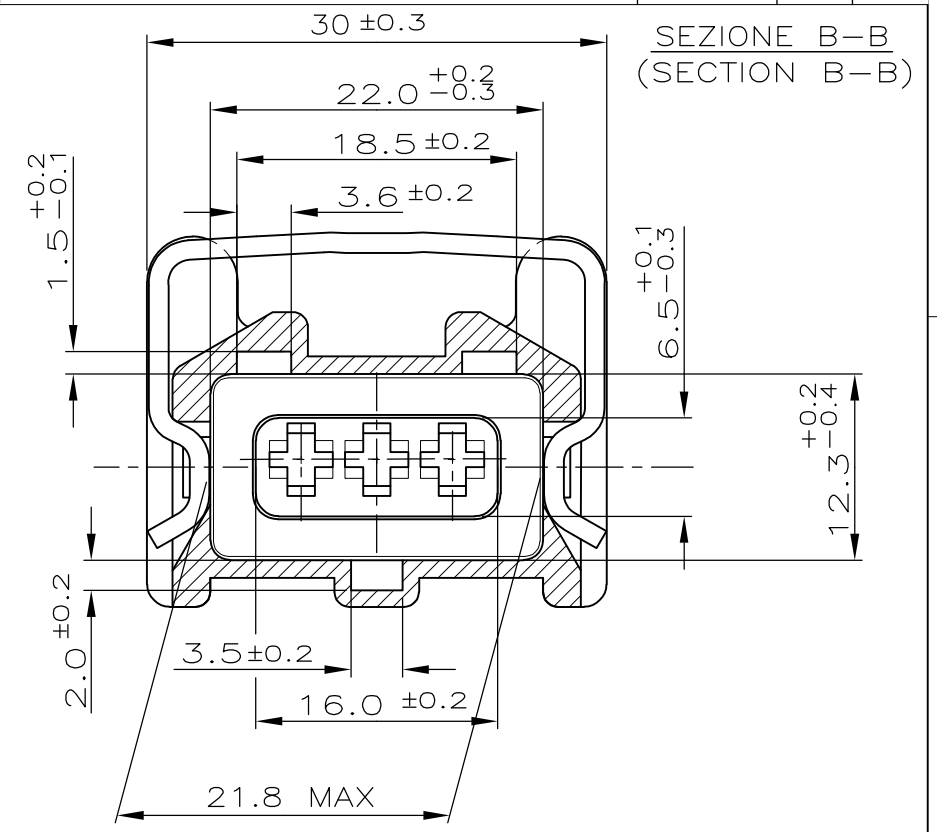
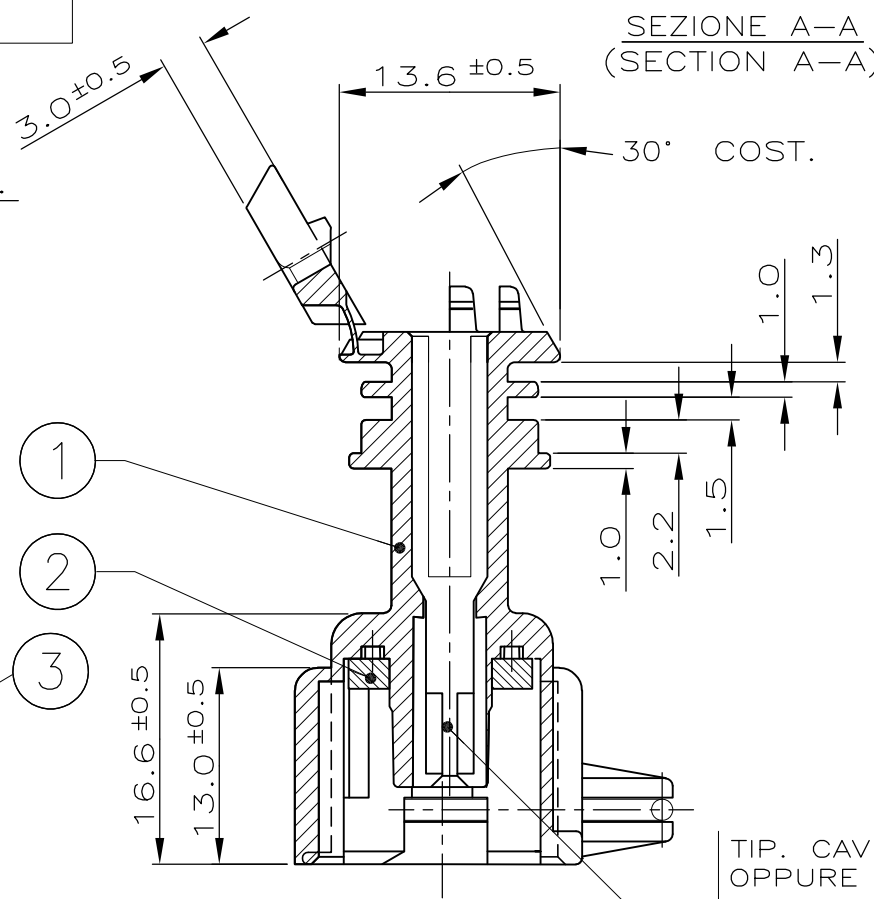
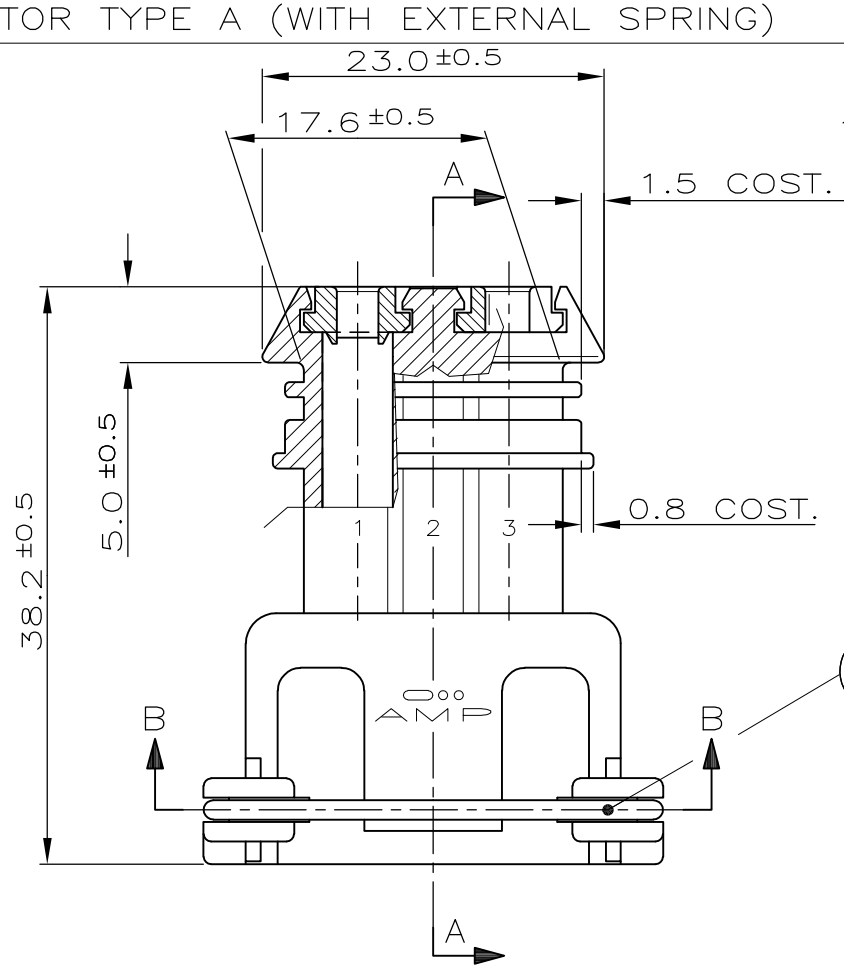
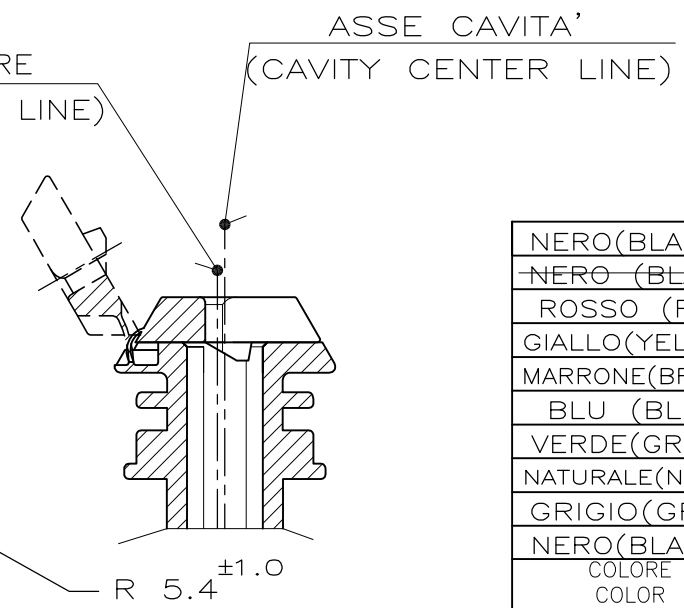
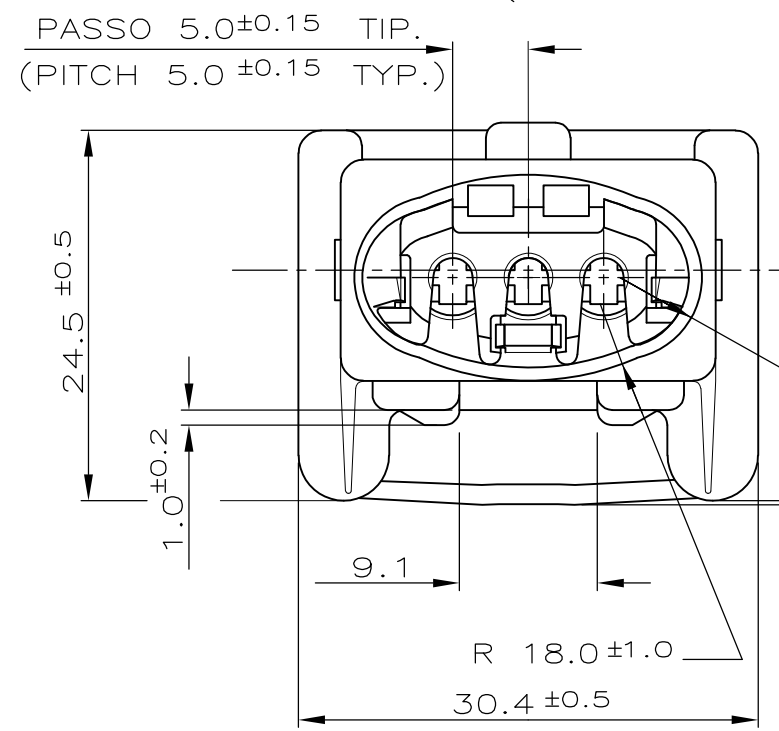


CONNETTORE TIPO A (CON MOLLA DI RITEGNO ESTERNA)
CONNECTOR TYPE A (WITH EXTERNAL SPRING)



TIP. CAVITA' PER TERMINALI AMP JPT P/N 929939-...
OPPURE 929937-... E RELATIVI GOMMINI
AMP P/N 828904-1, 828905-1, 282536-1.
TAPPO CAVITA' P/N 828906-2
(TYP. CAV. FOR JPT CONT. P/N 929939-... A/O 929937-... AND REL.
SINGLE WIRE SEAL P/N 828904-1, 828905-1, 282536-1
CAVITY PLUG P/N 828906-2)



NERO (BLACK)	2-282191-1	P	1		
NERO (BLACK)	1-282191-1	-		SUPERSEDED BY 282191-1	
ROSSO (RED)	---			CUSTOMER DWG. FOR REFERENCE ONLY	
GIALLO (YELLOW)	---			DISEGNO PER CLIENTE SOLO PER RIFERIMENTO	
MARRONE (BROWN)	282191-6		3	////	ACCIAIO INOX (STAINLESS STEEL)
BLU (BLUE)	282191-5				MOLLA (SPRING)
VERDE (GREEN)	282191-4		2	NATURALE (NATURAL)	GOMMA SILICONICA (SILICONE RUBBER)
NATURALE (NATURAL)	282191-3				GUARNIZIONE (RUBBER GASKET)
GRIGIO (GREY)	282191-2		1	////	PA 6.6
NERO (BLACK)	282191-1				BLOCCHETTO (HOUSING)
COLORE / COLOR	NUMERO PART. N°	ASSY REV. (ITEM)		FINITURA / COLORE (FINISH / COLOUR)	MATERIALE (MATERIAL)
					DESCRIZIONE (DESCRIPTION)

THIS DRAWING IS A CONTROLLED DOCUMENT.

DIMENSIONS: mm	TOLERANCES UNLESS OTHERWISE SPECIFIED:	DWN Ennio CINI NOV. 9'90	STE TE Connectivity
	0 PLC ± -	CHK C.TARTARI 13 OCT 92	
	1 PLC ± 0.3	APVD -	
	2 PLC ± -	PRODUCT SPEC -	
	3 PLC ± -	APPLICATION SPEC -	NAME
	4 PLC ± -	WEIGHT -	3 W.SPLASH PROOF CONN.ASS'Y with SECONDARY LOCK
MATERIAL -	FINISH -	CUSTOMER DRAWING	SIZE A3 CAGE CODE 00779 DRAWING NO C-282191 RESTRICTED TO -
			SCALE - SHEET 1 OF 2 REV P

1) DIFFERISCE DAL ...-1 ESCLUSIVAMENTE PER IL PACKAGING (DIFFERS FROM ...-1 ONLY FOR PACKAGING DETAILS)
2) PER DIMENSIONI CONTROPARTE VEDERE FOGLIO 2 (FOR COUNTERPART DIMENSIONS SEE SHEET 2)

