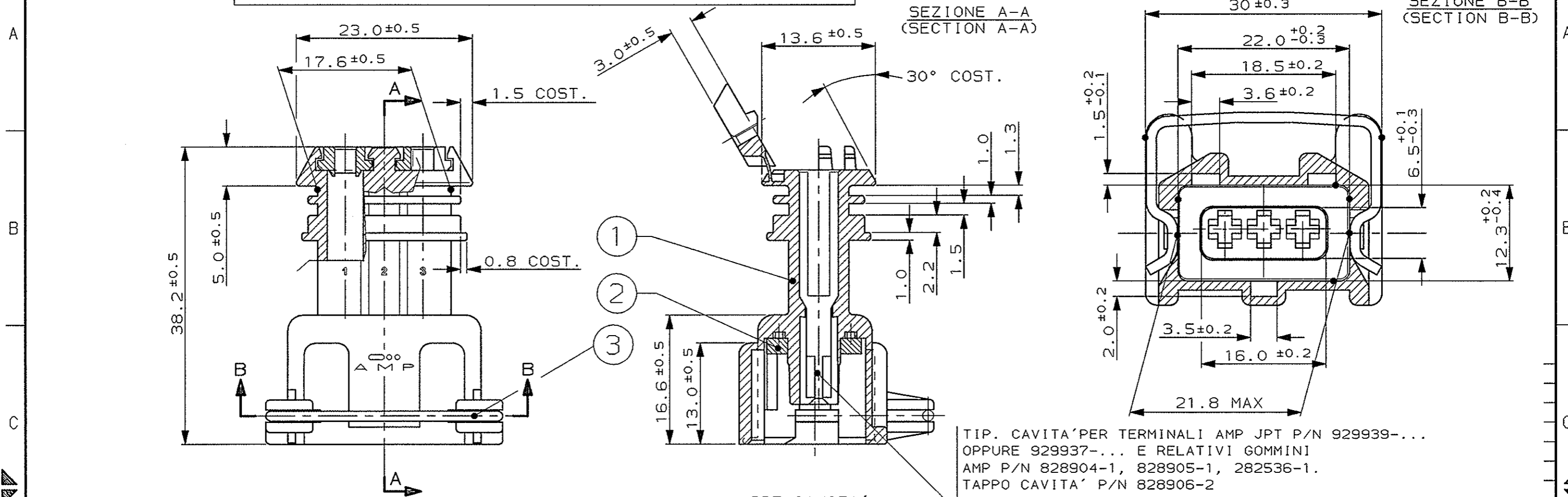


CONNETTORE TIPO A (CON MOLLA DI RITEGNO ESTERNA)
CONNECTOR TYPE A (WITH EXTERNAL SPRING)

SCALA NON IMPEGNATIVA
(DO NOT SCALE)
DIMENSIONI IN mm
(DIMENSIONS IN mm)

METRIC

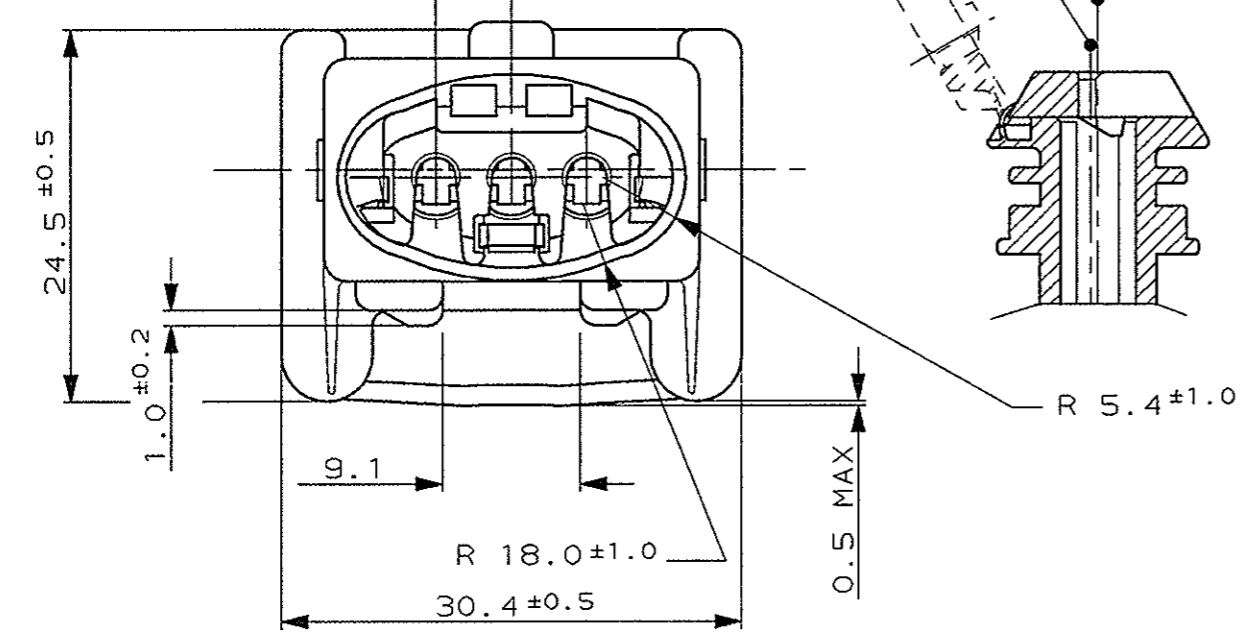
PROIEZIONE EUROPEA
(EUROPEAN PROJECTION)



TIP. CAVITA' PER TERMINALI AMP JPT P/N 929939-...
OPPURE 929937-... E RELATIVI GOMMINI
AMP P/N 828904-1, 828905-1, 282536-1.
TAPPO CAVITA' P/N 828906-2
(TYP. CAV. FOR JPT CONT. P/N 929939-... A/O 929937-... AND REL.
SINGLE WIRE SEAL P/N 828904-1, 828905-1, 282536-1
CAVITY PLUG P/N 828906-2)

ASSE CONNETTORE
(CONNECTOR CENTER LINE)
ASSE CAVITA'
(CAVITY CENTER LINE)

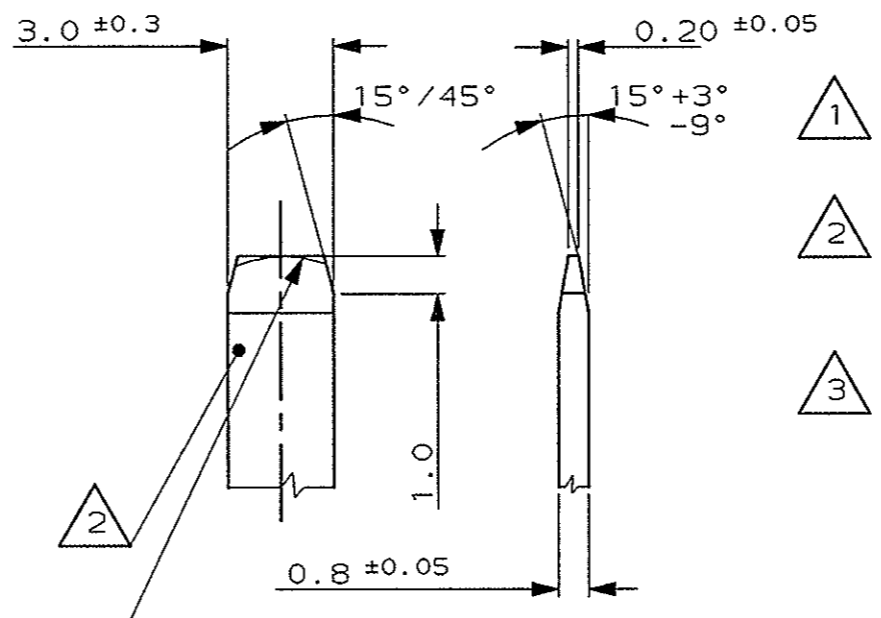
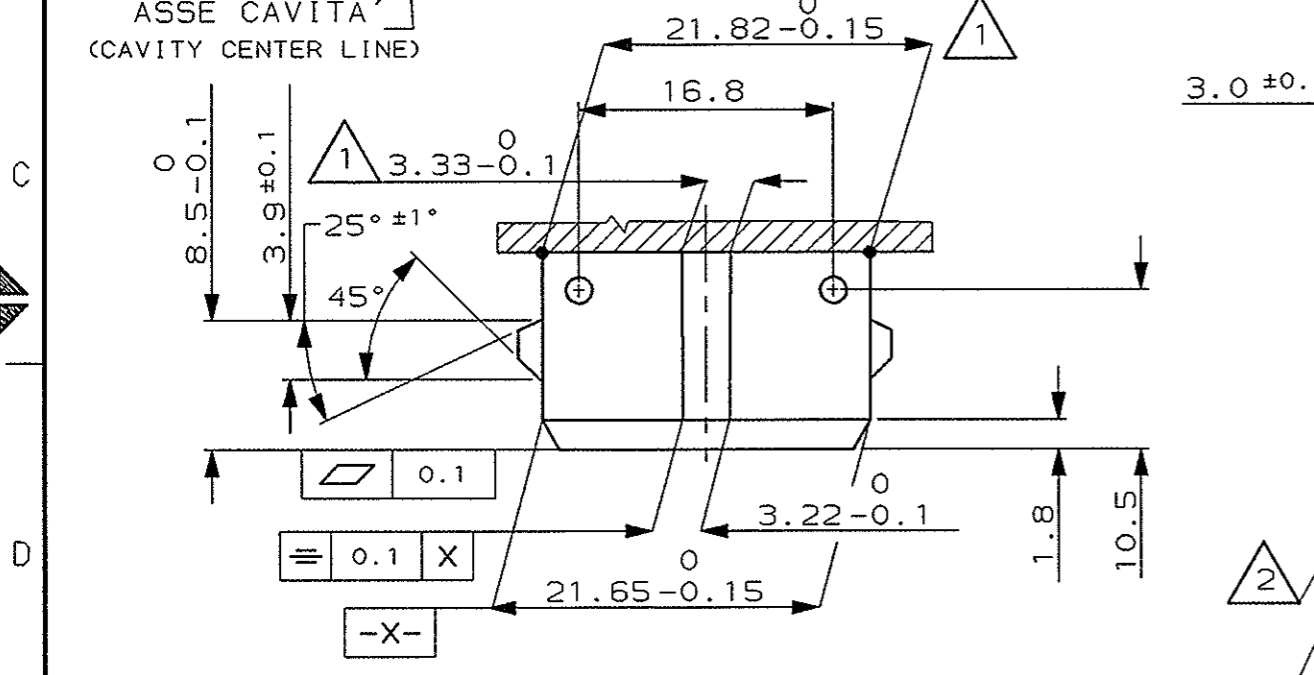
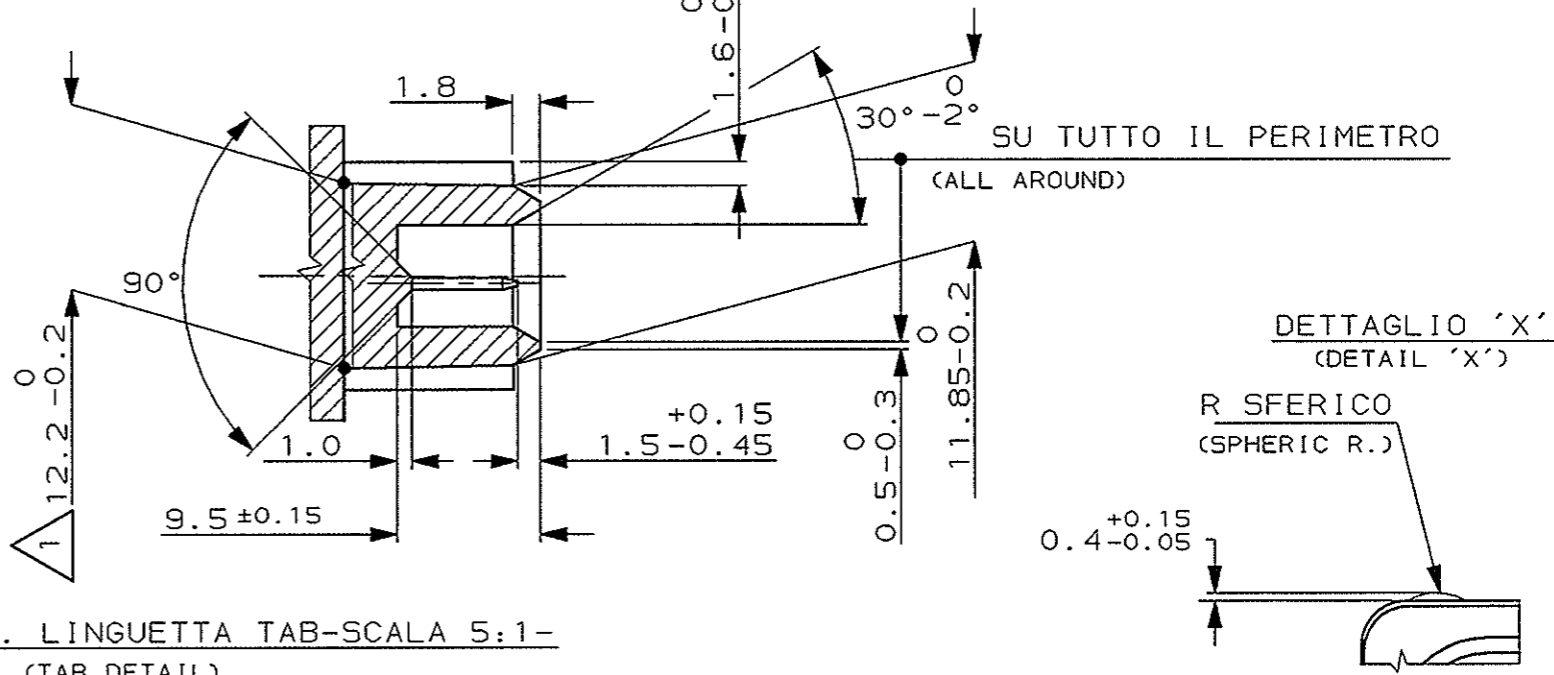
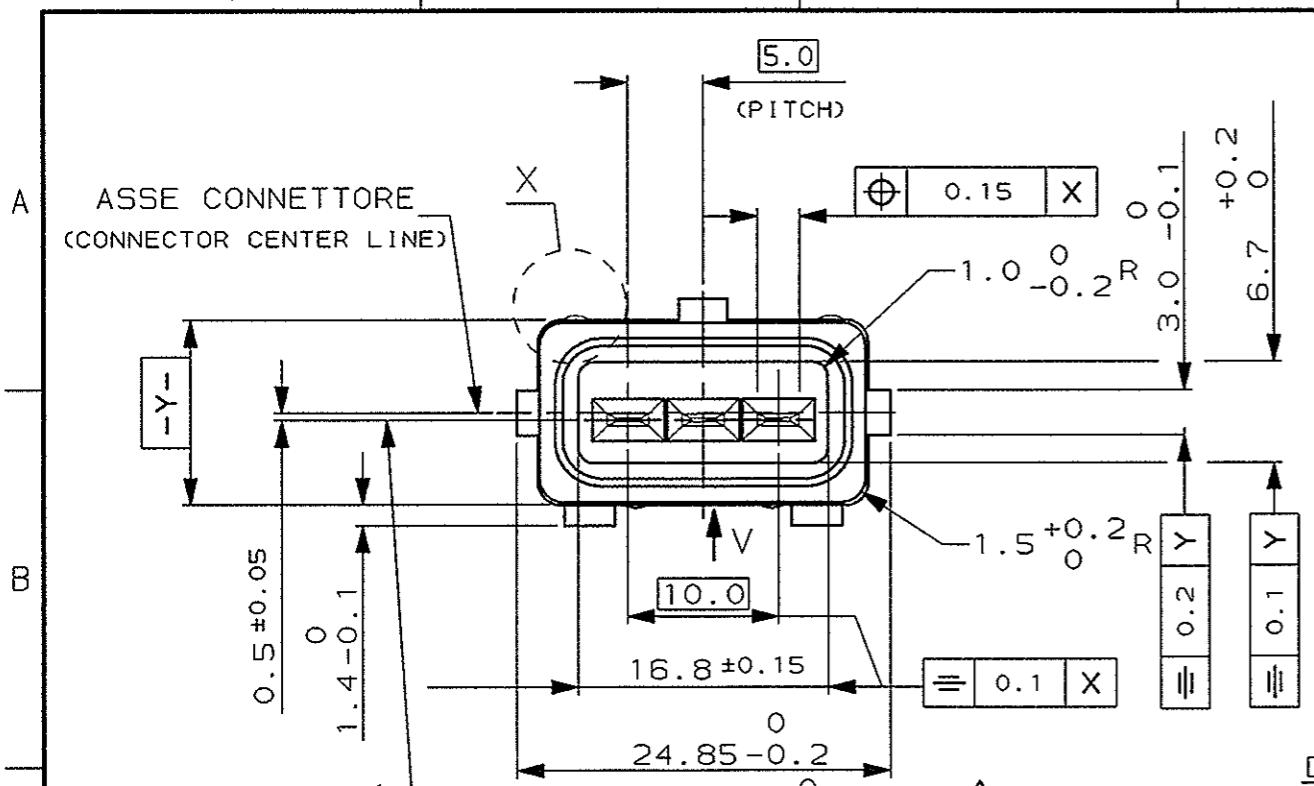
PASSO 5.0±0.15 TIP.
(PITCH 5.0±0.15 TYP.)



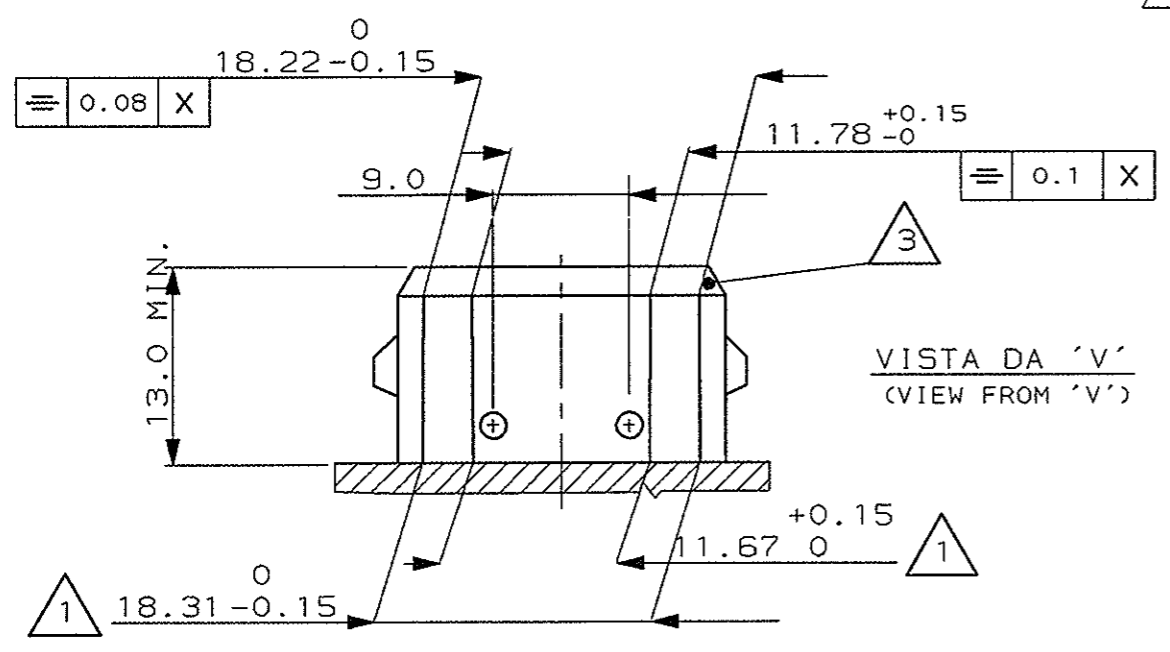
COLORE / COLOR	NUMERO PART. N°	ASSY N° (ITEM)	FINITURA / COLORE (FINISH / COLOUR)	MATERIALE (MATERIAL)	DESCRIZIONE (DESCRIPTION)
NERO (BLACK)	2-282191-1	F			
NERO (BLACK)	1-282191-1	E	SUPERSEDED BY 282191-1		
ROSSO (RED)	---				
GIALLO (YELLOW)	---				
MARRONE (BROWN)	282191-6			ACCIAIO INOX (STAINLESS STEEL)	MOLLA (SPRING)
BLU (BLUE)	282191-5	3	//////	GOMMA SILICONICA (SILICONE RUBBER)	GUARNIZIONE (RUBBER GASKET)
VERDE (GREEN)	282191-4	F			
NATURALE (NATUR)	282191-3	2	NATURALE (NATURAL)	GOMMA SILICONICA (SILICONE RUBBER)	GUARNIZIONE (RUBBER GASKET)
GRIGIO (GREY)	282191-2				
NERO (BLACK)	282191-1	1	//////	PA 6.6 C.VETRO (PA 6.6 G.F.)	BLOCCHETTO (HOUSING)
CUSTOMER DWG. FOR REFERENCE ONLY DISEGNO PER CLIENTE SOLO PER RIFERIMENTO					
THIS DRAWING IS UNPUBLISHED RELEASE FOR PUBLICATION 19					
© COPYRIGHT 19 BY AMP INCORPORATED, HARRISBURG, PA. ALL INTERNATIONAL RIGHT RESERVED. AMP PRODUCTS MAY BE COVERED BY U.S. AND FOREIGN PATENT AND/OR PATENT PENDING					
N1	REVISED PER ECR-06-024211 M.G.	06-11 2006	TOLLERANZE: SE NON DIVERSAMENTE SPECIFICATO	DIAM. ISOLANTE (INS. DIA RANGE)	RANGO FILO (WIRE RANGE)
N	REVISED FOR ET00-0385-99 M.P.	2-4 '01	(TOLERANCES, UNLESS OTHERWISE SPECIFIED)	1.5-3.0 (REDUCED INS. CABLE)	0.5-2.5 mm ² ***
M	AGGIOR. CON ET00-0284-98 REVISED FOR ET00-0284-98 M.P.	21-10 '98	± 0.3	tyco Electronics AMP ITALIA S.p.A. Corso F.lli Cervi, 15 COLLEGNO (TORINO)	
L	AGGIOR. CON ET00-0221-96 REVISED FOR ET00-0221-96 A.F.	27-5 '96	ANGOLI (ANGLES) ± 2°		
K	AGGIOR. CON ET00-0108-95 REVISED FOR ET00-0108-95 M.P.	11-5 '95	DIS. NOV. 9. '90 (DR.) Ennio CINI	DESCRIZIONE (DESCRIPTION) 3 W. SPLASH PROOF CONN. ASS'Y with SECONDARY LOCK	
REV.	REVISIONI (REVISION RECORD)	DIS. DATA (DR. DATE)	APP. (APP.)	LOC. SIZE (LOC. SIZE)	NUMERO (CNRG NO)
				I A3	C-282191
				N1	1 DI (1 OF) 2

⚠ DIFFERISCE DAL ...-1 ESCLUSIVAMENTE PER IL PACKAGING
(DIFFERS FROM ...-1 ONLY FOR PACKAGING DETAILS)
2) PER DIMENSIONI CONTROPARTE VEDERE FOGLIO 2
(FOR COUNTERPART DIMENSIONS SEE SHEET 2)

DISTRIBUZIONE (PRINT DIST.)



- 1 QUOTE APPLICABILI PER SFORMATURA PEZZO (DRAFT PERMITTED TO FACILITATE REMOVAL OF PART FROM THE MOULD)
- 2 MATERIALE LINGUETTE: LEGA DI RAME STAGNATA, ES. OTTONE STAGNATO. (TAB CONTACT MATERIAL: TIN PLATED COPPER ALLOY. E.G. BRASS TIN PLATED)
- 3 MATERIALE BLOCCHETTO: TERMOPLASTICO CARICATO FIBRA VETRO. (HOUSING MATERIAL: THERMOPLASTIC, GLASS FIBER FILLED)



FINITURA / COLORE (FINISH / COLOUR)		MATERIALE (MATERIAL)		NUMERO (PART NUMBER)	
CUSTOMER DWG. FOR REFERENCE ONLY		DISEGNO PER CLIENTE SOLO PER RIFERIMENTO		19	
THIS DRAWING IS UNPUBLISHED		RELEASE FOR PUBLICATION		19	
© COPYRIGHT 19 BY AMP INCORPORATED, HARRISBURG, PA. ALL INTERNATIONAL RIGHT RESERVED. AMP PRODUCTS MAY BE COVERED BY U.S. AND FOREIGN PATENT AND/OR PATENT PENDING					
TOLLERANZE, SE NON DIVERSAMENTE SPECIFICATO (TOLERANCES, UNLESS OTHERWISE SPECIFIED)		DIAM. ISOLANTE (INS. DIA. RANGE)		RANGO FILO (WIRE RANGE)	
± 0.3		---		---	
ANGOLI (ANGLES)		---		---	
± 2°		---		---	
DIS. (DR.)		DESCRIZIONE (DESCRIPTION)		---	
---		3 POS. SPLASH PROOF CONN. ASS'Y with SECONDARY LOCK		---	
CONT. (CHK)		LOC. SIZE		NUMERO (DWG NO)	
---		I A3		C-282191	
---		REV.		FOGLIO (SHEET)	
---		N1		01 (OP) 2	
REV. (REV.)	REVISIONI (REVISION RECORD)	DIS. DATA (DR. DATE)	APP. (APPROV.)	---	
---	---	---	---	---	

DISTRIBUZIONE (PRINT DIST.)