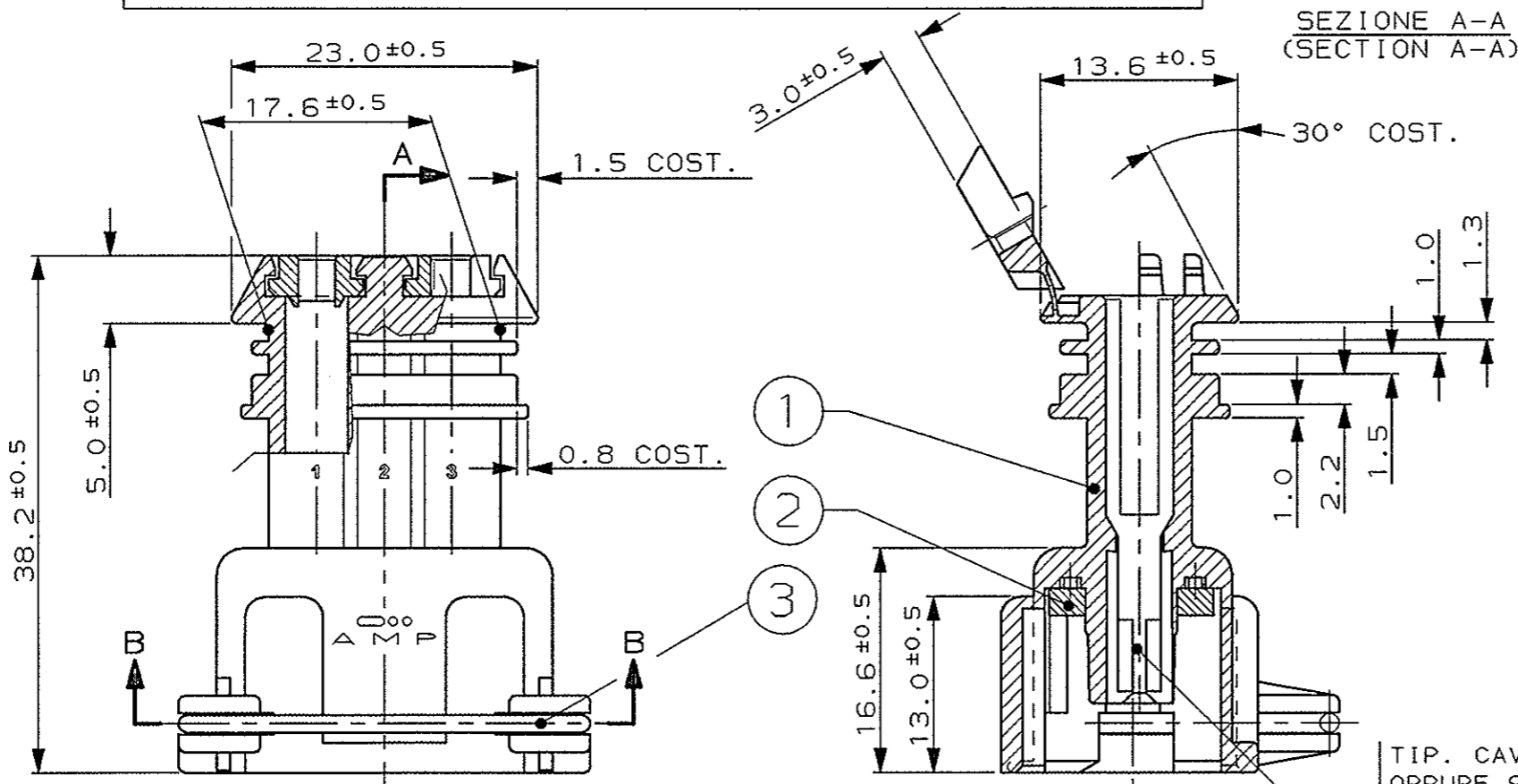


CONNETTORE TIPO A (CON MOLLA DI RITEGNO ESTERNA)
CONNECTOR TYPE A (WITH EXTERNAL SPRING)

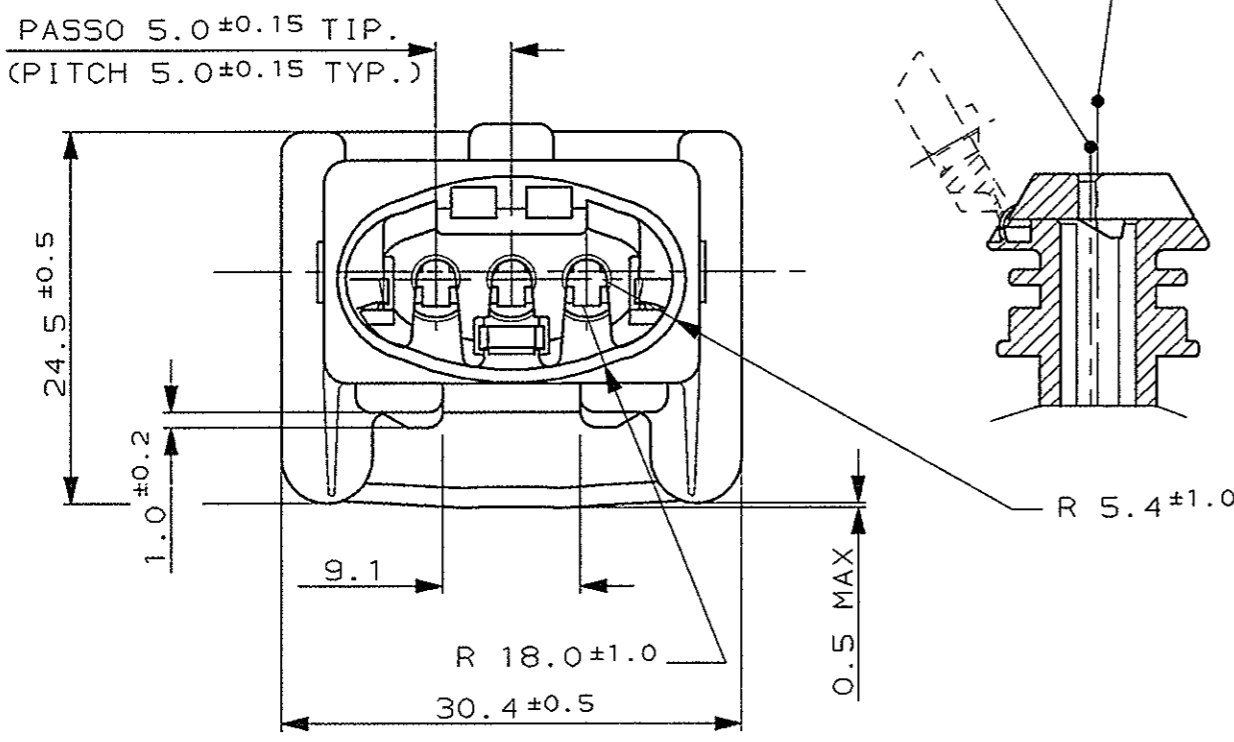
SCALA NON IMPEGNATIVA
(DO NOT SCALE)
DIMENSIONI IN mm
(DIMENSIONS IN mm)

METRIC

PROIEZIONE EUROPEA
(EUROPEAN PROJECTION)



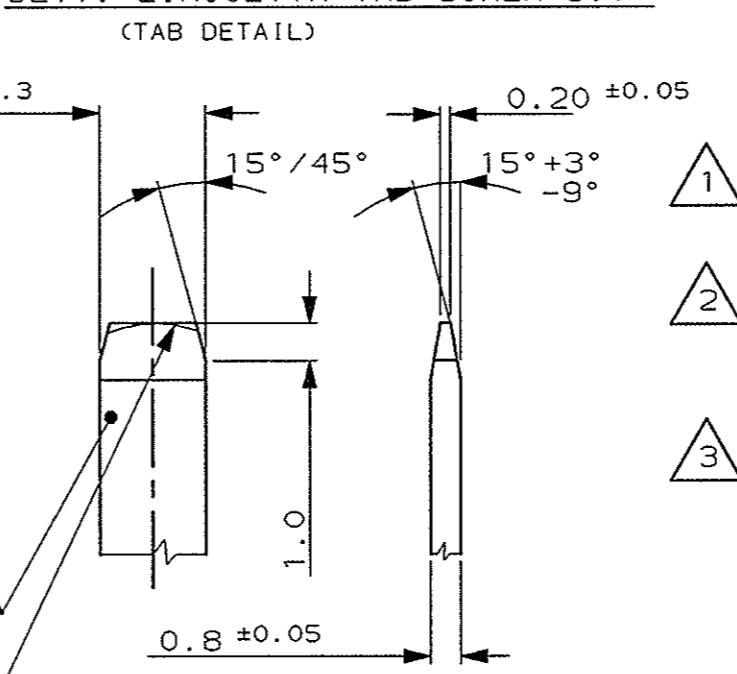
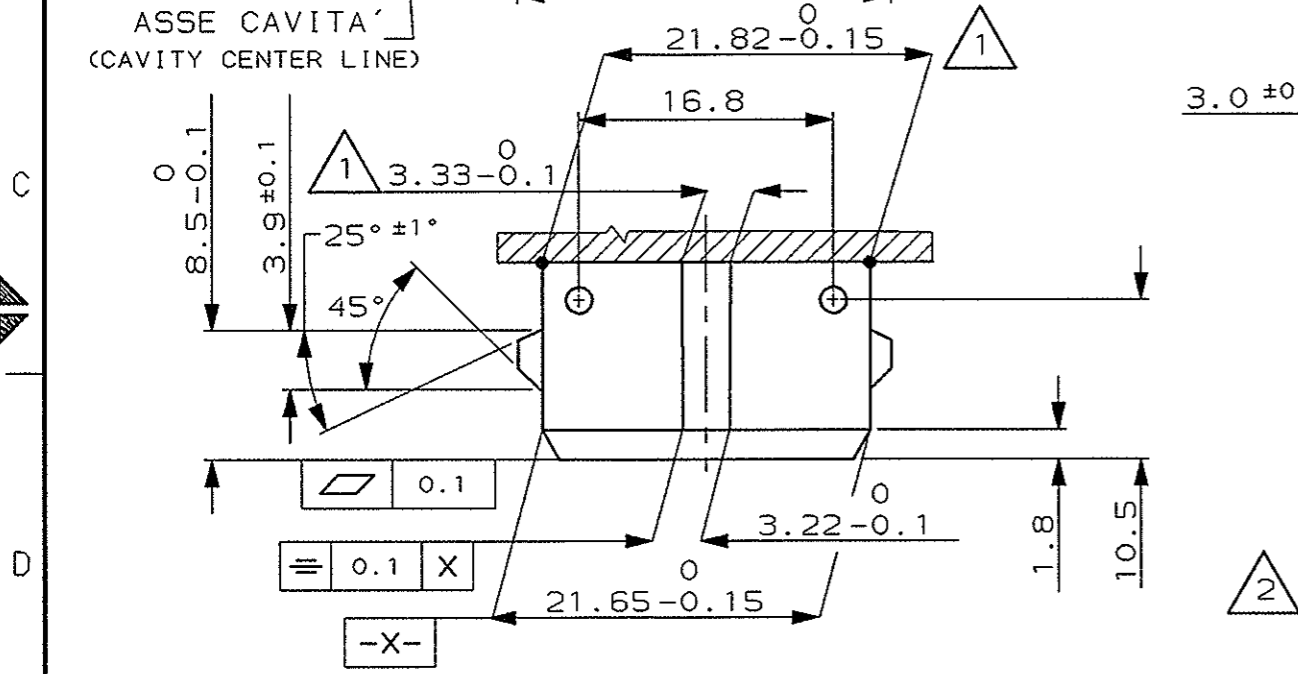
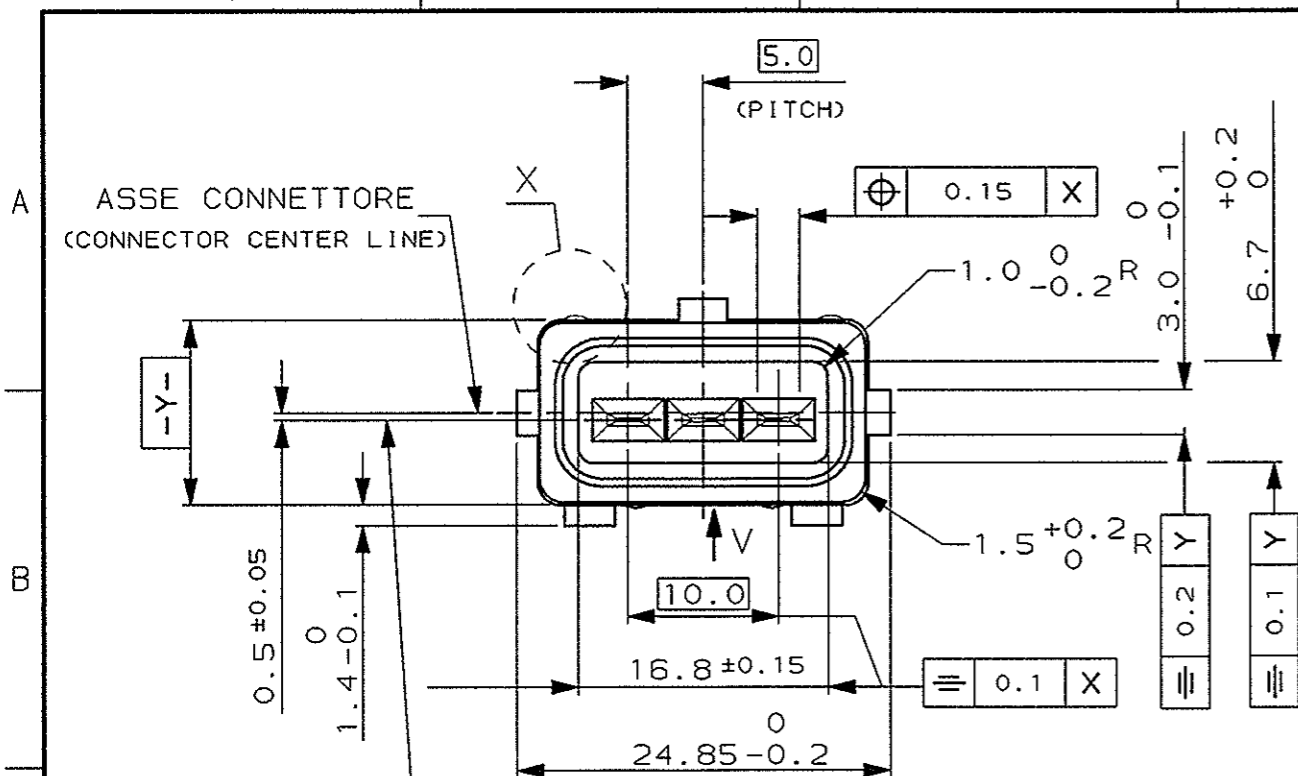
TIP. CAVITA' PER TERMINALI AMP JPT P/N 929939-...
OPPURE 929937-... E RELATIVI GOMMINI
AMP P/N 828904-1, 828905-1, 282536-1.
TAPPO CAVITA' P/N 828906-2
(TYP. CAV. FOR JPT CONT. P/N 929939-... A/O 929937-... AND REL.
SINGLE WIRE SEAL P/N 828904-1, 828905-1, 282536-1
CAVITY PLUG P/N 828906-2)



COLORE / COLOR	NUMERO PART. N°	ASSY N° (ITEM)	FINITURA / COLORE (FINISH / COLOUR)	MATERIALE (MATERIAL)	DESCRIZIONE (DESCRIPTION)
NERO (BLACK)	2-282191-1	F			
NERO (BLACK)	1-282191-1	E	SUPERSEDED BY 282191-1		
ROSSO (RED)	---				
GIALLO (YELLOW)	---				
MARRONE (BROWN)	282191-6			ACCIAIO INOX (STAINLESS STEEL)	MOLLA (SPRING)
BLU (BLUE)	282191-5		3		
VERDE (GREEN)	282191-4			GOMMA SILICONICA (SILICONE RUBBER)	GUARNIZIONE (RUBBER GASKET)
NATURALE (NATUR)	282191-3		2		
GRIGIO (GREY)	282191-2			PA 6.6 C.VETRO (PA 6.6 G.F.)	BLOCCHETTO (HOUSING)
NERO (BLACK)	282191-1		1		
COLORE / COLOR	NUMERO PART. N°	ASSY N° (ITEM)	FINITURA / COLORE (FINISH / COLOUR)	MATERIALE (MATERIAL)	DESCRIZIONE (DESCRIPTION)
			CUSTOMER DWG. FOR REFERENCE ONLY		
			DISEGNO PER CLIENTE SOLO PER RIFERIMENTO		
			THIS DRAWING IS UNPUBLISHED		
			RELEASE FOR PUBLICATION 19		
© COPYRIGHT 19 BY AMP INCORPORATED, HARRISBURG, PA. ALL INTERNATIONAL RIGHT RESERVED. AMP PRODUCTS MAY BE COVERED BY U.S. AND FOREIGN PATENT AND/OR PATENT PENDING					
N1	REVISED PER ECR-06-024211 M.G.	06-11 2006	TOLLERANZE: SE NON DIVERSAMENTE SPECIFICATO (TOLERANCES, UNLESS OTHERWISE SPECIFIED)		DIAM. ISOLANTE (INS. DIA RANGE) 1.5-3.0 (REDUCED INS. CABLE)
N	REVISED FOR ET00-0385-99 M.P.	2-4 '01	± 0.3		RANGO FILO (WIRE RANGE) 0.5-2.5 mm²
M	AGGIOR. CON ET00-0284-98 REVISED FOR ET00-0284-98 M.P.	21-10 '98	ANGOLI (ANGLES) ± 2°		SCALA (SCALE) ***
L	AGGIOR. CON ET00-0221-96 REVISED FOR ET00-0221-96 A.F.	27-5 '96	DIS. NOV. 9. '90 (DR.) Ennio CINI		tyco AMP ITALIA S.p.A. Corso F.lli Cervi, 15 COLLEGNO (TORINO)
K	AGGIOR. CON ET00-0108-95 REVISED FOR ET00-0108-95 M.P.	11-5 '95	CONT. 13 OCT 92 (CHK) C. TARTARI		
REV.	REVISIONI (REVISION RECORD)	DIS. DATA (DR. DATE)	APP. (APP.)	DESCRIZIONE (DESCRIPTION) 3 W. SPLASH PROOF CONN. ASS'Y with SECONDARY LOCK	
			LOC. SIZE (LOC. SIZE)	NUMERO (CONG NO)	REV. (REV.)
			I A3	C-282191	N1 1 D1 2

⚠ DIFFERISCE DAL ...-1 ESCLUSIVAMENTE PER IL PACKAGING (DIFFERS FROM ...-1 ONLY FOR PACKAGING DETAILS)
2) PER DIMENSIONI CONTROPARTE VEDERE FOGLIO 2 (FOR COUNTERPART DIMENSIONS SEE SHEET 2)

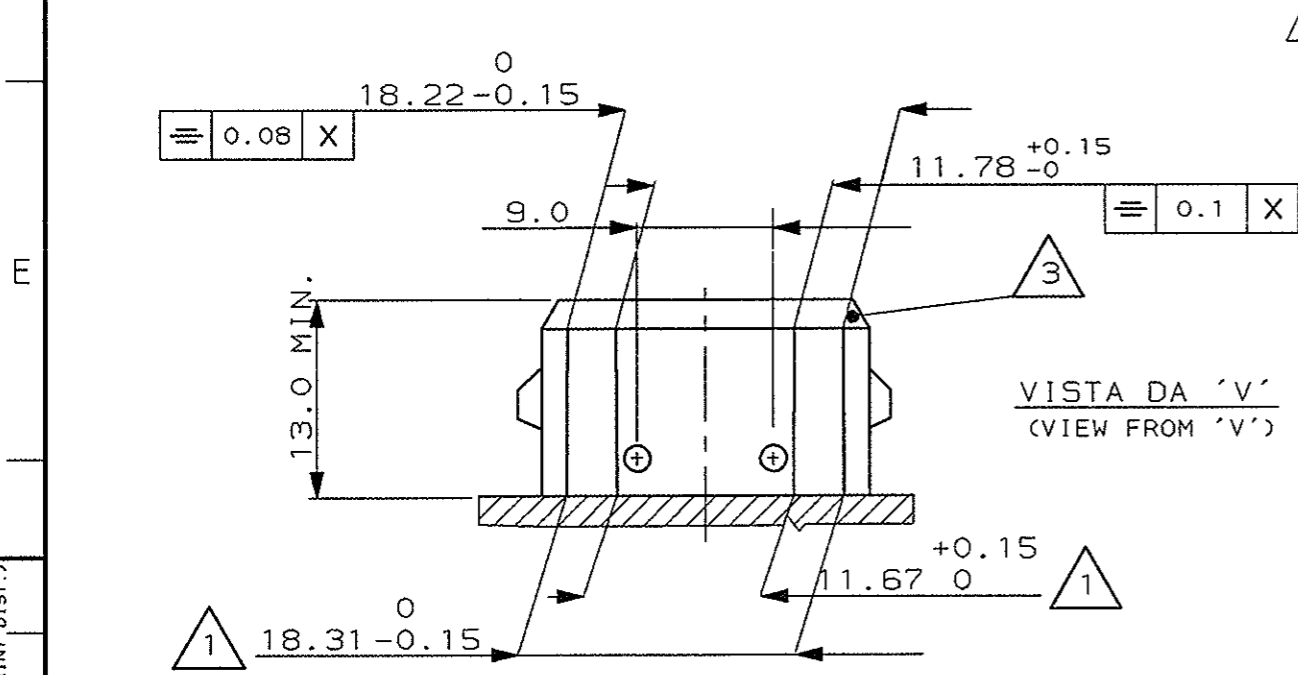
DISTRIBUZIONE (PRINT DIST.)



1 QUOTE APPLICABILI PER SFORMATURA PEZZO (DRAFT PERMITTED TO FACILITATE REMOVAL OF PART FROM THE MOULD)

2 MATERIALE LINGUETTE: LEGA DI RAME STAGNATA, ES. OTTONE STAGNATO. (TAB CONTACT MATERIAL: TIN PLATED COPPER ALLOY. E.G. BRASS TIN PLATED)

3 MATERIALE BLOCCHETTO: TERMOPLASTICO CARICATO FIBRA VETRO. (HOUSING MATERIAL: THERMOPLASTIC, GLASS FIBER FILLED)



FORMA ALTERNATIVA PERMESSA CON RAGGIO (ALLOWED ALTERNATIVE PROFILE WITH RADIUS)

FINITURA / COLORE (FINISH / COLOUR)	MATERIALE (MATERIAL)	NUMERO (PART NUMBER)
CUSTOMER DWG. FOR REFERENCE ONLY	DISEGNO PER CLIENTE SOLO PER RIFERIMENTO	19
THIS DRAWING IS UNPUBLISHED		RELEASE FOR PUBLICATION
© COPYRIGHT 19 BY AMP INCORPORATED, HARRISBURG, PA. ALL INTERNATIONAL RIGHT RESERVED. AMP PRODUCTS MAY BE COVERED BY U.S. AND FOREIGN PATENT AND/OR PATENT PENDING		
TOLLERANZE, SE NON DIVERSAMENTE SPECIFICATO (TOLERANCES, UNLESS OTHERWISE SPECIFIED)	DIAM. ISOLANTE (INS. DIA. RANGE)	RANGO FILO (WIRE RANGE)
± 0.3	---	---
ANGOLI (ANGLES)	---	---
± 2°	tyco AMP ITALIA S.p.A. Corso F.lli Corvi, 15 COLLEGNO (TORINO)	
DIS. (DR.)	DESCRIZIONE (DESCRIPTION)	
---	3 POS. SPLASH PROOF CONN. ASS'Y with SECONDARY LOCK	
CONT. (CHK)	LOC. SIZE	NUMERO (DWG NO)
---	I A3	C-282191
APP. (DATE)	REV.	FOGLIO (SHEET)
---	N1	01 (OF) 2
REV. (REV.)	REVISIONI (REVISION RECORD)	DIS. DATA (DR. DATE)
---	---	---

DISTRIBUZIONE (PRINT DIST.)