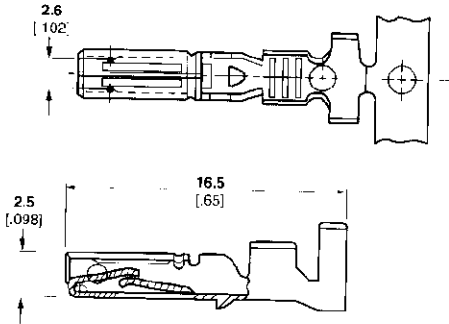


## Superseal Connectors ... For Wire To Device Applications ... 3.5 mm Centers (Continued)

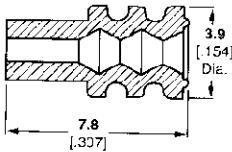
### Receptacle Contact (available in strip form only)



Receptacle contacts are manufactured from 0.3 [0.012] thick material.

Part Number	Wire Range mm <sup>2</sup> /AWG	Wire Ins. Dia. mm/Inches	Material & Finish
282438-1	0.5-1.0 [20-18]	1.4-2.1 [.055-.083]	Pre-Tin Plated Phosphor Bronze

### Wire Seal



Part Number	Wire Range mm <sup>2</sup> /AWG	Wire Ins. Dia. mm/Inches	Material & Finish
963530-1	0.5-1.0 [20-18]	1.4-2.1 [.055-.083]	Silicon Rubber